

# PRODUCT INFORMATION PACKET



Model No: LM34377  
Catalog No: LM34377  
125 HP Severe Duty Motor, 3 phase, 1800 RPM, 230/460 V, 405T Frame, ODP  
Severe Duty Motors



Regal and Leeson are trademarks of Regal Rexnord Corporation or one of its affiliated companies.  
©2021 Regal Rexnord Corporation, All Rights Reserved. MC017097E





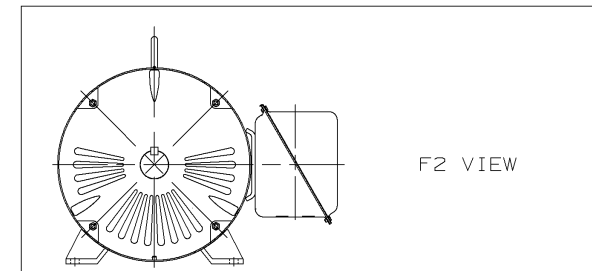
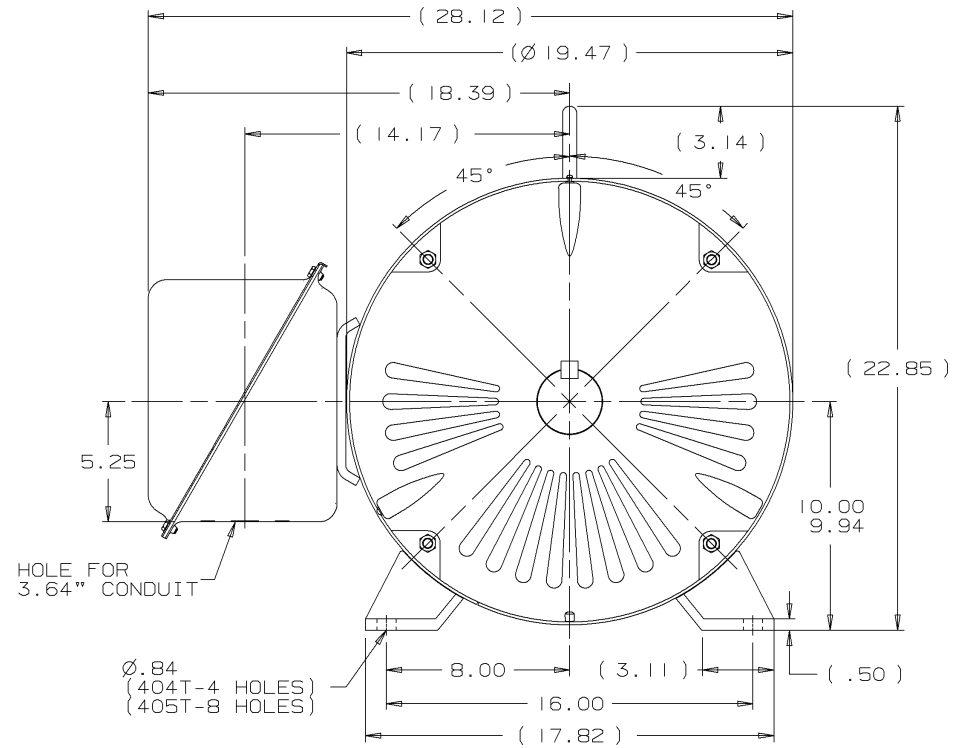
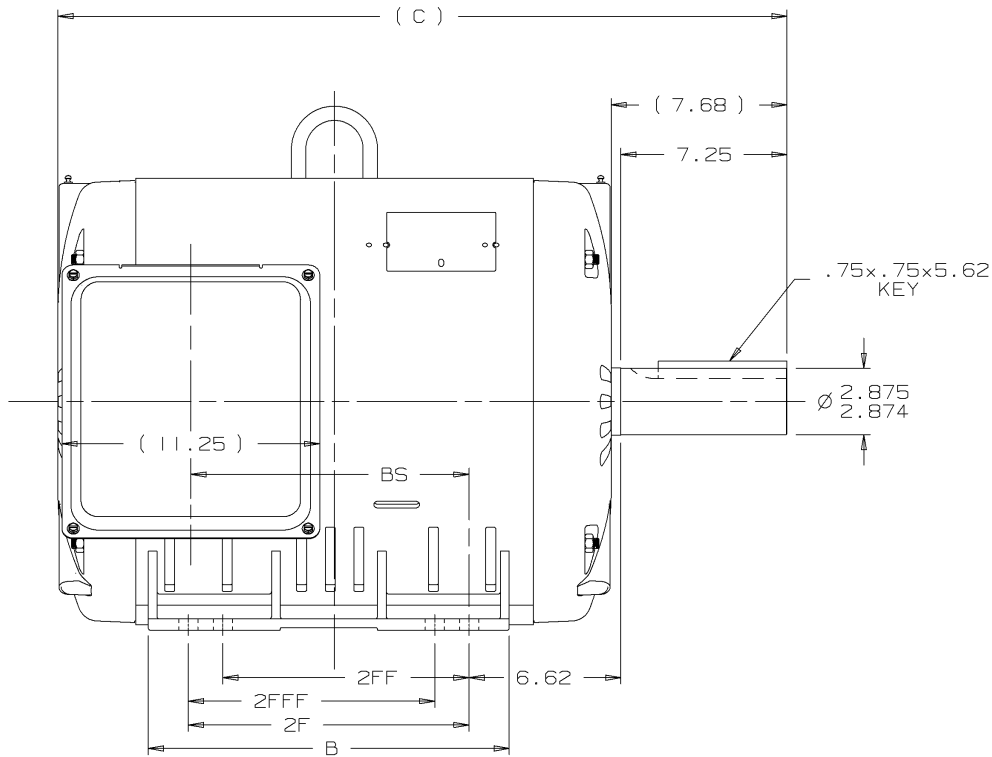
### Nameplate Specifications

Output HP	125 Hp	Output KW	93.0 kW
Frequency	60 Hz	Voltage	230/460 V
Current	298.0/149.0 A	Speed	1780 rpm
Service Factor	1	Phase	3
Efficiency	95.4 %	Power Factor	82.5
Duty	Continuous	Insulation Class	F
Design Code	B	KVA Code	F
Frame	405T	Enclosure	Drip Proof
Thermal Protection	No	Ambient Temperature	40 °C
Drive End Bearing Size	6315	Opp Drive End Bearing Size	6313
UL	No	CSA	Y
CE	N	IP Code	22
Number of Speeds	1		

### Technical Specifications

Electrical Type	Squirrel Cage Induction Run	Starting Method	Wye Start Delta Run
Poles	4	Rotation	Reversible
Resistance Main	.042 Ohms	Mounting	Rigid Base
Motor Orientation	Horizontal	Drive End Bearing	Ball
Opp Drive End Bearing	Ball	Frame Material	Rolled Steel
Shaft Type	T	Overall Length	33.31 in
Frame Length	18.85 in	Shaft Diameter	2.875 in
Shaft Extension	7.25 in	Assembly/Box Mounting	F1 ONLY
Connection Drawing	A-EE7308AA-LN	Outline Drawing	XJ2D1SS1-1885

This is an uncontrolled document once printed or downloaded and is subject to change without notice. Date Created:10/07/2021



NOTES:  
 1. CONDUIT BOX CAN BE ROTATED IN 90° STEPS.  
 2. NAMEPLATES TO BE READ FROM CONDUIT BOX SIDE OF MOTOR.

DASH	FRAME	C	B	2F	2FF	2FFF	BS
1735	404	31.81	15.75	12.25			12.14
1885	405	33.31	17.25	13.75	10.75	10.75	13.64

REV	DATE	CHANGE	NAME
1	08-31-2001	NEW DRAWING	TJB

**Lincoln MOTORS**

UNLESS OTHERWISE SPECIFIED DIMENSIONS ARE IN INCHES  
 TOL. ON XX±.02 XXX±.005 XXXX±.0005 ANGLES± 7'30"

MAX. SURFACE ROUGHNESS UNLESS OTHERWISE NOTED

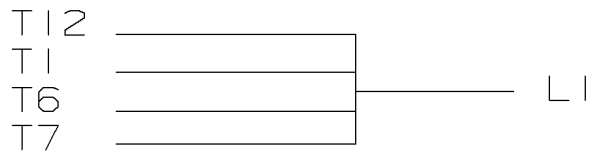
FINISH

MATERIAL

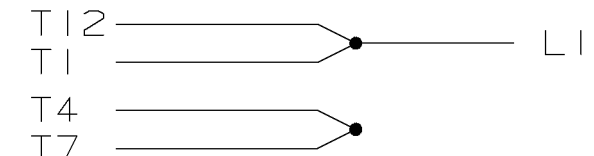
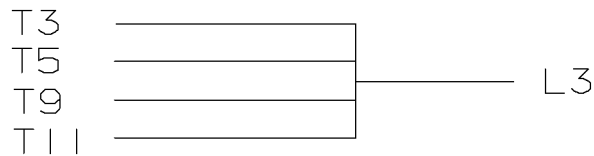
PART NAME OUTLINE NEMA MOTORS  
 400T ODP UE

DRWG NO XJ2DISS1

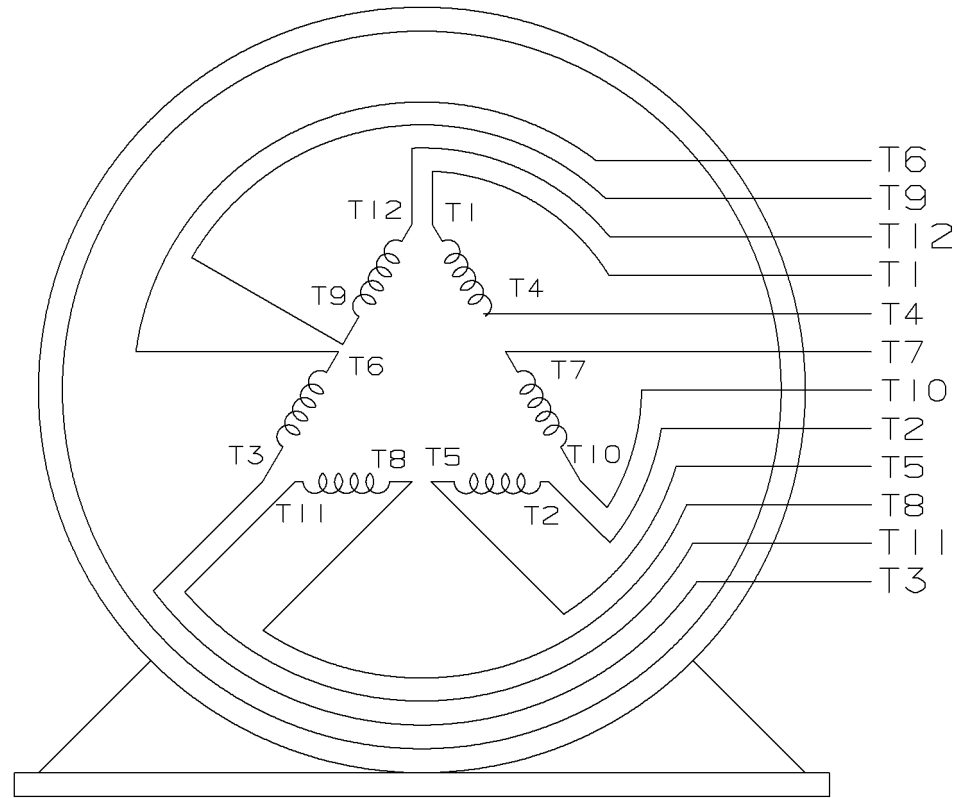
PURCHASED BY \_\_\_\_\_ DISTRIBUTION ~~W~~ - ~~D~~ - ~~R~~ - BY CADD FILE NO. XJ2DISS1



LOW VOLTAGE



HIGH VOLTAGE



VIEW OF TERMINAL END

					✓ UNLESS OTHERWISE SPECIFIED DIMENSIONS ARE IN INCHES TOL. ON XX±.02 XXX±.005 XXXX±.0005 ANGLES± 7'30"				
2	08-09-1999	RE-ISSUE, ADDED '-' TO PART NUMBER	BLR		MAX. SURFACE ROUGHNESS UNLESS OTHERWISE NOTED		DRAWN BY TRB 07-16-1999		
1	06-18-1999	NEW DRAWING	TRB	FINISH		CHKD BY ML 06-18-1999			
				MATERIAL		APPD BY GK 06-18-1999			
REV	DATE	CHANGE	NAME	PART NAME 3 PHASE CONNECTION DIAGRAM 2/1 DELTA - 12 LEADS			DRWG NO A- EE7308AA-LN		

PURCHASED

CADD FILE NO.

EE7308AALN

ERROR: undefined  
OFFENDING COMMAND: Pscrip  
  
STACK:

P.O. BOX 8003  
 WAUSAU, WI 54401-8003  
 PH. 715-675-3311



DATA VOLTS: 460

**CERTIFICATION DATA SHEET**

CONN. DIAGRAM: A-EE7308AA-LN  
 OUTLINE: XJ2D1SS1-1885  
 WINDING: L4054045

CAT #: LM34377

EN 1

**TYPICAL MOTOR PERFORMANCE DATA**

HP	KW	SYNC RPM	FL RPM	FRAME	ENCLOSURE	TYPE	KVA CODE	DESIGN
125	93	1800	1780	405T	DP	TDR	F	B

PH	HZ	VOLTS	AMPS	START TYPE	DUTY	INSL	S.F.	AMB	ELEV.
3	60	230/460	298/149	VYE START DELTA RU	CONT	F	1.15	40	3300

F.L. EFF	95.4	3/4 LD EFF	95.4	1/2 LD EFF	95.4	GTD EFF	94.5	ELECT. TYPE	SQ CAGE IND RUN
F.L. PF	82.5	3/4 LD PF	79.5	1/2 LD PF	70.5				

F.L. TORQUE	LR AMPS @ 460 V	L.R. TORQUE	B.D. TORQUE	F.L. RISE (°C)
369 LB-FT	825	775 LB-FT 210%	775 LB-FT 210%	65

PRESSURE @ 3	POWER	ROTOR WK²	MAX. LOAD WK²	SAFE STALL TIME	STARTS/HOUR	MOTOR WGT
999 dBA	1008 dBA	23.0 LB-FT²	0 LB-FT²	0 SEC.	0	0 LB.

\*\*\* SUPPLEMENTAL INFORMATION \*\*\*

DE BRACKET TYPE	ODE BRACKET TYPE	MOUNT TYPE	MOTOR ORIENTATION	SEVERE DUTY	HAZARDOUS LOCATION	DRIP COVER	SCREENS	PAINT
STANDARD	STANDARD	RIGID	HORIZONTAL	NO	NONE	NO	NONE	GRAY - LINCOLN

BEARINGS		GREASE	SHAFT TYPE	SPECIAL DE	SPECIAL ODE	SHAFT MATERIAL	FRAME MATERIAL
DE	ODE						
BALL	BALL	POLYREX EM	T	NONE	NONE	1045 HOT ROLLED (C-204)	ROLLED STEEL
6315	6313						

THERMOSTATS	PROTECTORS	WDG RTD's	BRG RTD's	THERMISTORS	CONTROL	SPACE HEATERS
NONE	NOT	NONE	NONE	NONE	FALSE	NA

R1 (ohms/ph)	R2 (ohms/ph)	X1 (ohms/ph)	X2 (ohms/ph)	Xm (ohms/ph)	VIBRATION (in/sec)	FLOAT
0.032	0.018	0.232	0.247	4.971	0.150	ODE

* N O T E S *		INVERTER TORQUE: NONE INV. HP SPEED RANGE: NONE  ENCODER: NONE NONE NONE NONE PPR

DATE: 1/23/2018	BRAKE: NONE NONE NONE FT-LB: NA VOLTAGE: NONE HZ: UL: NONE
-----------------	--

Data Sheet

Date: 1/23/2018

LM34377



Data @ 460 V

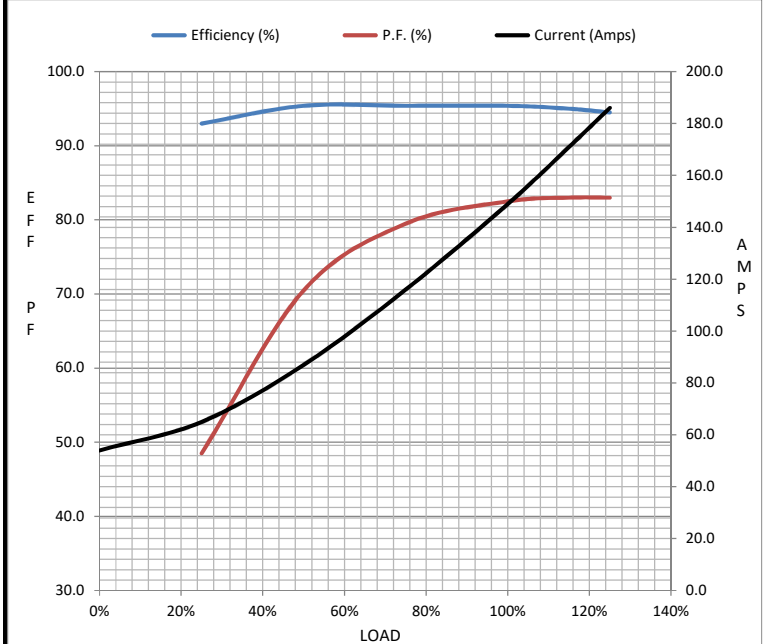
Motor Load Data

Load	0%	25%	50%	75%	100%	115%	125%	LR
Current (Amps)	54.0	65.0	87.0	116	149	171	186	825
Torque (ft-lb)	0.00	91.0	183	276	369	425	462	775
RPM	1800	1795	1790	1787	1780	1.778	1775	0
Efficiency (%)		93.0	95.4	95.4	95.4	95.0	94.5	
P.F. (%)	3.0	48.5	70.5	79.5	82.5	83.0	83.0	37.0

Motor Speed Data

	LR	Pull-Up	BD	Rated	Idle
Speed (RPM)	0	900	1700	1780	1800
Current (Amps)	825	750	550	149	54.0
Torque (ft-lb)	775	700	775	369	0.00

Information Block				
HP	125.0			
Sync. RPM	1800			
Frame	405			
Enclosure	DP			
Construction	TDR			
Voltage	230/460 V			
Frequency	60 Hz			
Design	B			
LR Code letter	F			
Service Factor	1.15			
Temp Rise @ FL	65 °C			
Duty	CONT			
Ambient	40 °C			
Elevation	1,000 feet			
Rotor/Shaft wk <sup>2</sup>	23.0 Lb-Ft <sup>2</sup>			
Ref Wdg	L4054045 EN			
Sound Pressure @ 1M	999 dBA			
VFD Rating	NONE			
Outline Dwg	XJ2D1SS1-1885			
Conn. Diag	A-EE7308AA-LN			
Additional Specifications:				
0				
0				
EQUIV CKT (OHMS / PHASE)				
R1	R2	X1	X2	Xm
0.0320	0.0180	0.2320	0.2470	4.9710



Speed - Torque Curve

