

PRODUCT INFORMATION PACKET



Model No: LM34351
Catalog No: LM34351

LM34351..2HP..1160RPM.184TC.TENV.208-230/460VAC.3PH.60HZ.30MIN.40C.1.15SF.ROUND.....

Regal and Leeson are trademarks of Regal Rexnord Corporation or one of its affiliated companies.
©2023 Regal Rexnord Corporation, All Rights Reserved. MC017097E





Nameplate Specifications

Technical Specifications

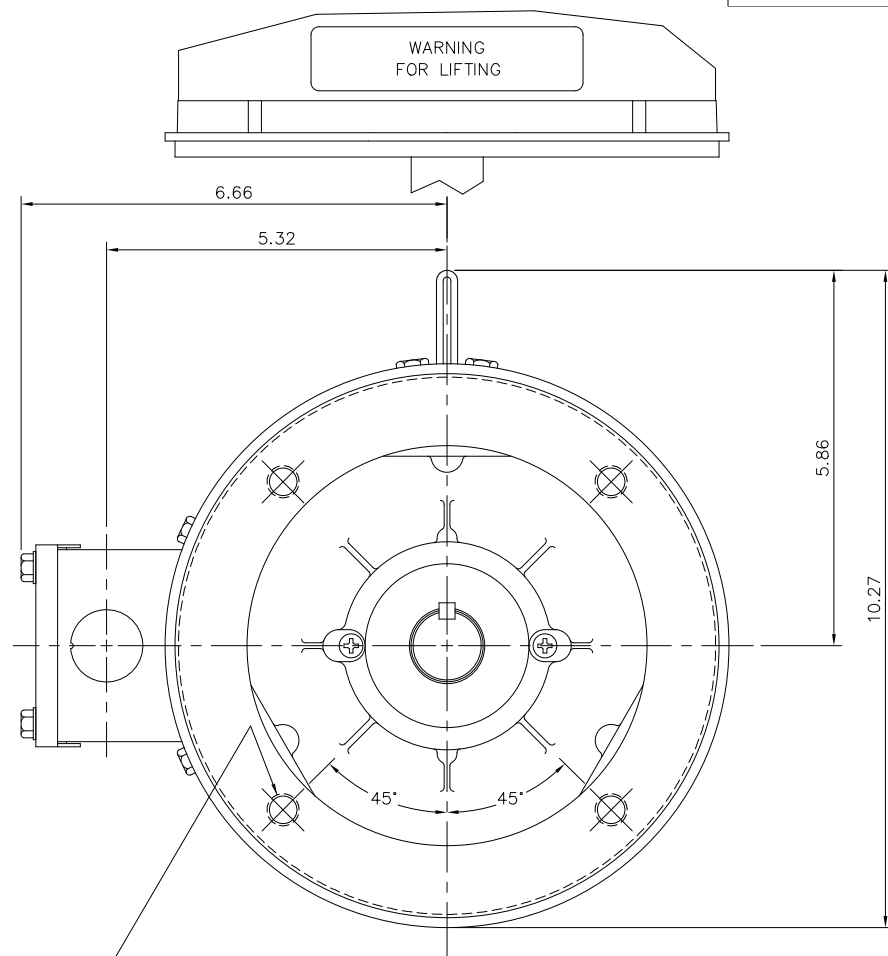
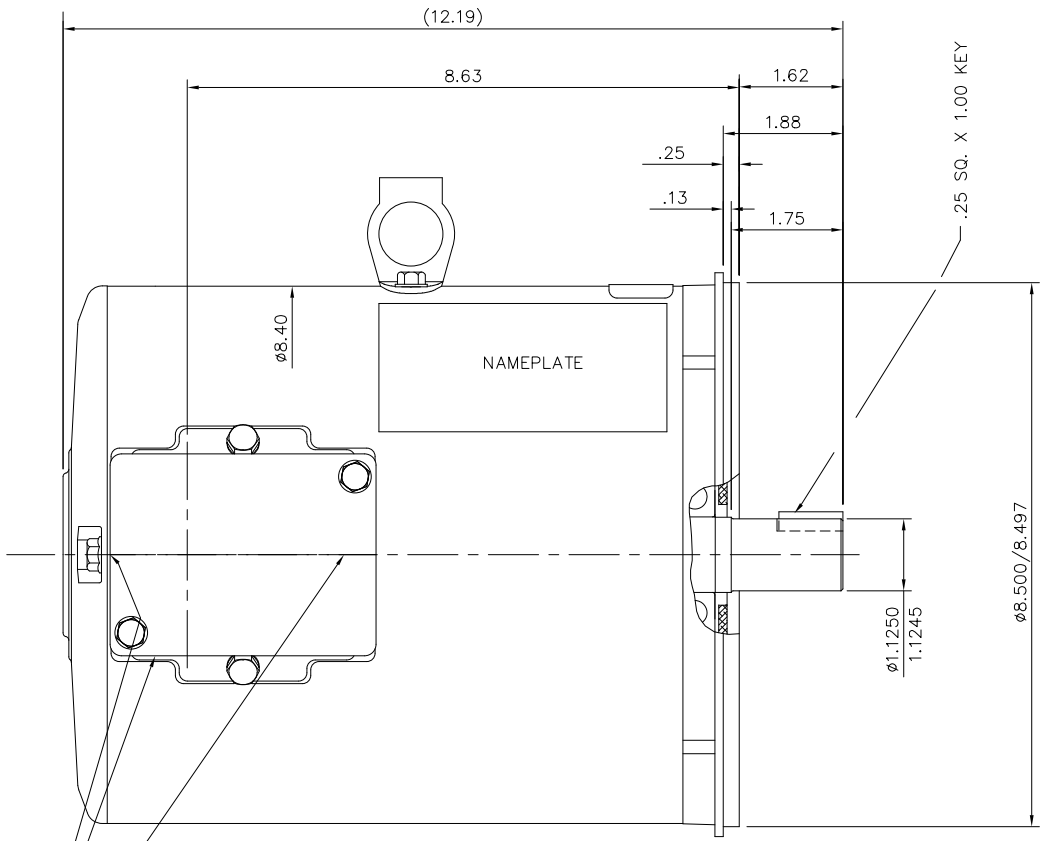
Outline Drawing

036188-900

Connection Drawing

005010.01LN

This is an uncontrolled document once printed or downloaded and is subject to change without notice. Date Created:06/29/2023



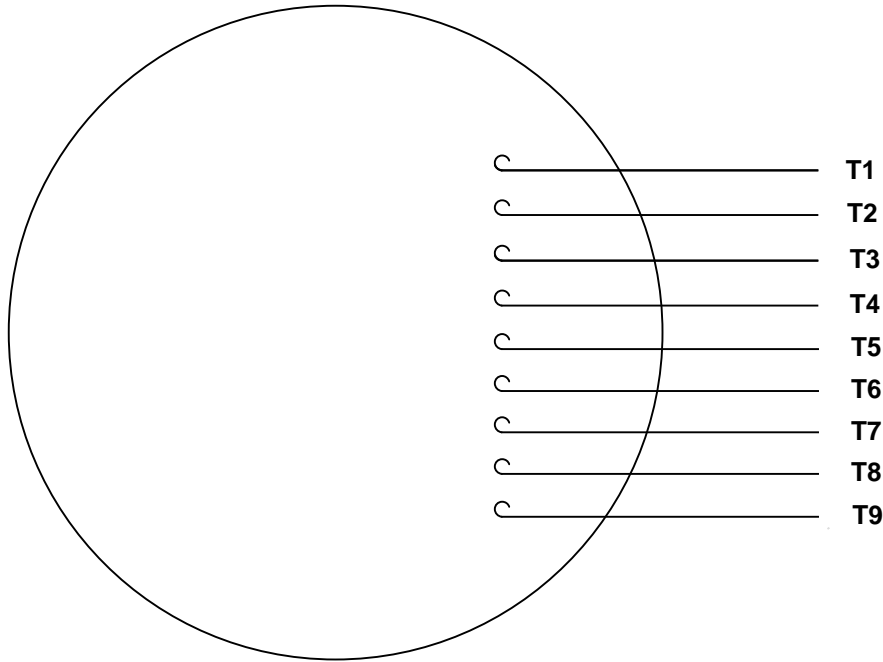
1/2-13 UNC-2B X .75 DEEP
(4) REQ'D. ON A Ø7.250 B.C.

Ø1.13 KNOCKOUTS
(3) REQUIRED

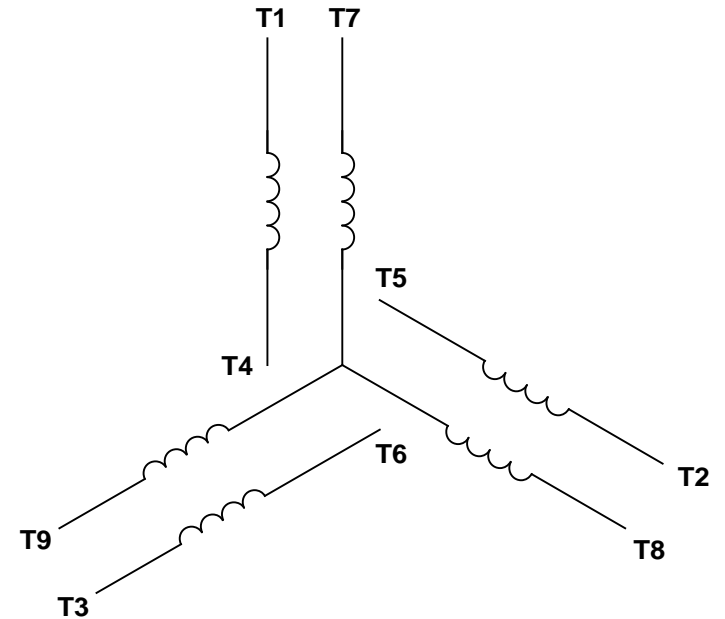
GASKETS THROUGHOUT
MAXIMUM FACE RUNOUT TO BE .004 T.I.R.
MAXIMUM PILOT ECCENTRICITY TO BE .004 T.I.R.
PERMISSIBLE SHAFT RUNOUT TO BE .002 T.I.R.

				TOLERANCES UNLESS OTHERWISE SPECIFIED		REGAL TM Regal Beloit America, Inc.	
				DECIMALS			
E	Connection decal removing from box cover CR-0015709	JG	06/14/2023	.00	± .01	DRAWN SL 02/11/2016	TITLE OUTLINE - 184TZ FRAME
D	UPDATED DRAWING NMR-0221088	JG	05/08/2023	.000	± .005	CH'K'D. GR 02/11/2016	TENV - ROUND "C"
C	NAMEPLATE LOCATION CHANGED AS PER CR-0014865	MK	04/21/2023	.0000	± .0005	APPR. GR 02/11/2016	MAT'L.
B	REVISED SHAFT EXTENSION ECO-0114639	LST	12/9/2016	FRACTIONS ± 1/64	SCALE 1=2	REF. OLPRI54172	FINISH AUTOQUIP
NO.	REVISION	BY	DATE	INCH/MM	ANGLES ± 1/2"	FMF	CORP.
THIS DRAWING IN DESIGN AND DETAIL IS OUR PROPERTY AND MUST NOT BE USED EXCEPT IN CONNECTION WITH OUR WORK ALL RIGHTS OF DESIGN AND INVENTION ARE RESERVED						SIZE B	DRAWING NO. 036188

VIEW FROM OUTSIDE OF MOTOR AT SWITCH END.


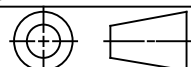


LINE LEADS



VOLTAGE	L1	L2	L3	JOIN & INSULATE
HIGH	T1	T2	T3	(T4, T7) (T5, T8) (T6, T9)
LOW	T1, T7	T2, T8	T3, T9	T4, T5, T6

RBC PROPRIETARY AND CONFIDENTIAL INFORMATION
 This document is the property of REGAL BELOIT CORPORATION ("RBC") including its subsidiaries and divisions and contains proprietary information of RBC. This document is loaned on the express condition that neither it nor the information contained therein shall be disclosed to others without the express written consent of RBC, and that the information shall be used by the recipient only as approved expressly by RBC. This document shall be returned to RBC upon its request. This document may be subject to certain restrictions under U.S. export control laws and regulations.

				TOLERANCES UNLESS SPECIFIED				DRAWN KMM 04/16/02		
				DEC	INCHES			CHK		
				.X	±.1			APPR		
				.XX	±.01	TITLE EXTERNAL WIRING DIAGRAM		SCALE 1:1		
				.XXX	±.005	3 PHASE W/O PROTECTOR		REF FIG. 2-51		
--	REDRAWN IN SOLIDWORKS	VJB 02/08/11		.XXXX	±.0005	MAT'L DECAL - 004014		FMF		
NO	REVISION	BY & DATE	CHK	ANG	±1/2°	FINISH		PAGE	OF	
THIRD ANGLE PROJECTION					RFP 04/12/02	PREV	SIZE	DRAWING NO		REV
					NETWORK FILE NAME 00501001LN		A	005010-01LN		--