

PRODUCT INFORMATION PACKET



Model No: LM34174
Catalog No: LM34174

General Purpose Motor, 2 HP, 3 Ph, 60 Hz, 230/460 V, 900 RPM, 213TC Frame, TEFC



Regal and Leeson are trademarks of Regal Rexnord Corporation or one of its affiliated companies.
©2022 Regal Rexnord Corporation, All Rights Reserved. MC017097E



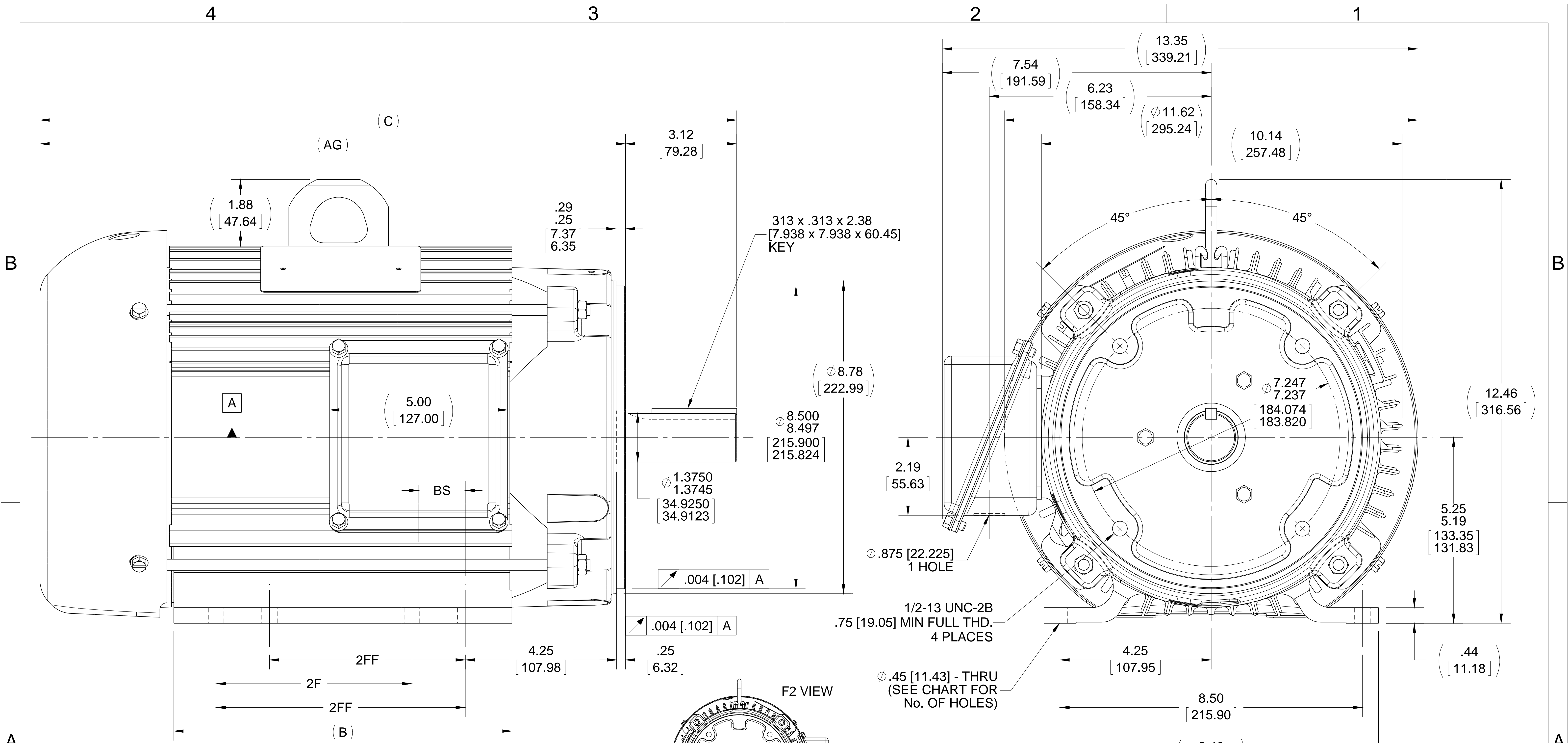


Nameplate Specifications

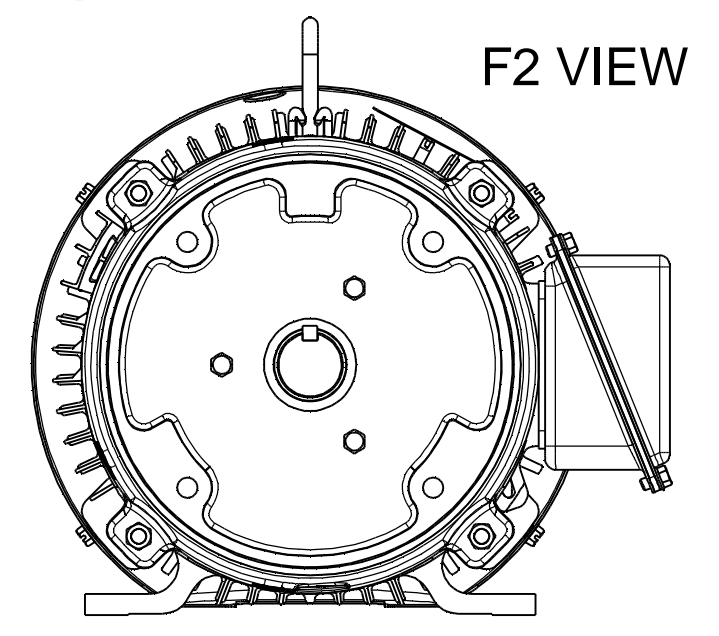
Output HP	2 Hp	Output KW	1.5 kW
Frequency	60 Hz	Voltage	230/460 V
Current	8.0/4.0 A	Speed	885 rpm
Service Factor	1.15	Phase	3
Efficiency	86.5 %	Power Factor	56
Duty	Continuous	Insulation Class	F
Design Code	B	KVA Code	L
Frame	213TC	Enclosure	Totally Enclosed Fan Cooled
Thermal Protection	No Protection	Ambient Temperature	40 °C
Drive End Bearing Size	6208	Opp Drive End Bearing Size	6206
UL	Recognized	CSA	Y
CE	Y	IP Code	43
Number of Speeds	1		

Technical Specifications

Electrical Type	Squirrel Cage Induction Run	Starting Method	Across The Line
Poles	8	Rotation	Reversible
Resistance Main	3.5 Ohms	Mounting	Rigid Base
Motor Orientation	Horizontal	Drive End Bearing	Ball
Opp Drive End Bearing	Ball	Frame Material	Aluminum
Shaft Type	T	Overall Length	19.57 in
Frame Length	9.50 in	Shaft Diameter	1.375 in
Shaft Extension	3.38 in	Assembly/Box Mounting	F1 ONLY
Outline Drawing	SS330102LN-950	Connection Drawing	EE7308-LN



NOTES:
 1- BOX CAN BE ROTATED IN 90° STEPS.
 2- NAMEPLATE TO BE READ FROM C'BOX SIDE OF MOTOR.



DASH	FRAME	B	C	AG	2F	2FF	BS	No. OF MTG HOLES
800	213TC	8.12 [206.25]	18.07 [458.98]	14.95 [379.73]	5.50 [139.70]	---	1.33 [33.76]	4
950	213/5TC	9.62 [244.35]	19.57 [497.08]	16.45 [417.83]	5.50 [139.70]	7.00 [177.80]	1.33 [33.76]	8
1050	215TC	10.62 [269.75]	20.57 [522.48]	17.45 [443.23]	7.00 [177.80]	8.00 [203.20]	1.33 [33.76]	8

DRAWING REVISION F
 ECO ECO-0073312
 ECO DESCRIPTION
 UPDATED TO CURRENT STADNARDS
 COPYRIGHT REGAL BELOIT AMERICA, INC. ALL RIGHTS RESERVED. PROPRIETARY AND CONFIDENTIAL INFORMATION - THIS DOCUMENT IS THE PROPERTY OF REGAL BELOIT AMERICA, INC. ("OWNER") AND CONTAINS OWNER'S PROPRIETARY INFORMATION. ANY PERSON, CORPORATION OR OTHER FIRM RECEIVING IT IS DEEMED, BY RECEIVING IT, TO AGREE THAT IT, AND/OR ANY PART OF IT, SHALL NOT BE DISCLOSED TO ANY PERSON, CORPORATION OR OTHER ENTITY, DUPLICATED, AND/OR USED, EXCEPT AS EXPRESSLY APPROVED IN WRITING IN ADVANCE BY OWNER. THIS DOCUMENT SHALL BE RETURNED TO OWNER UPON REQUEST. IT MAY BE SUBJECT TO CERTAIN RESTRICTIONS UNDER APPLICABLE EXPORT CONTROL LAWS AND REGULATIONS.

TOLERANCES UNLESS OTHERWISE SPECIFIED:
 DEC. INCH mm ANGLE
 .X ±0.1 [±2.5] ±7° 30"
 .XX ±0.03 [±0.76]
 .XXX ±0.005 [±0.127]
 .XXXX ±0.0005 [±0.0127]
 REMOVE BURRS & BREAK SHARP EDGES: .003/.015 [0.076/.381] X 45°
 CORNER FILLETS: R.02 [.51]
 MACHINED SURFACES: 200 INCH mm 5.1
 mm SHOWN IN [BRACKETS]

DRAWN BY MJK
 DATE 08-30-2004
 APPROVED BY JPL
 DATE 09-02-2004
 REFERENCE
 THIRD ANGLE PROJECTION

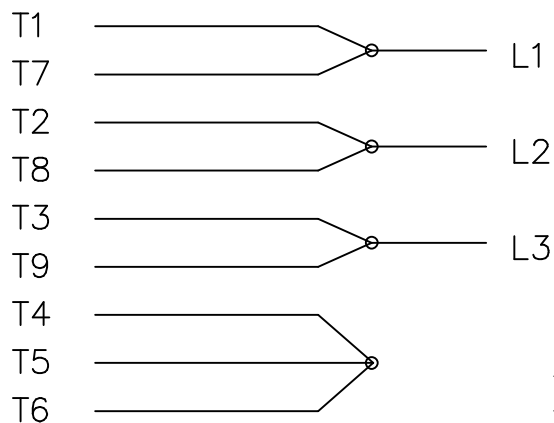
REGAL™ Regal Beloit America, Inc.
 DESCRIPTION
OUTLINE
 210TC FR - ALUM FR - TEFC
 MATERIAL PROCESS/FINISH
 SIZE B DRAWING NUMBER **SS330102LN** SHEET 1 OF 1

THREE PHASE
DUAL VOLTAGE MOTOR

HIGH VOLTAGE



LOW VOLTAGE



VIEW OF TERMINAL END

REF.
WINDING DIAGRAM

T8Y, T2Y, T2BL, T4BX, T2EC, T2G
T6BZ, T2B, T6BL, T4AV, T6B, T4B

OPTIONAL CORD
CONNECTION

L1 — WHITE
L2 — RED
L3 — BLACK

NO.	REVISION	BY & DATE	CHK	TOLERANCES UNLESS SPECIFIED		FINISH	DRAWN	ML	GK	SCALE	PAGE	OF	REV.
				DEC.	INCHES								
				.X	±.1		BLR	ML	GK	1=1			
3	ADDED THE OPTIONAL CORD CONNECTION MU46318	RDH 04/24/2003	DRS	.XX	±.02	TITLE CONNECTION DIAGRAM	BLR	ML	GK	1=1			
2	RE-ISSUE, ADDED '-' TO PART NUMBER	BLR 08/09/1999	GK	.XXX	±.005	3∅ - DUAL VOLTAGE MOTOR	BLR	ML	GK				
1	NEW DRAWING	BLR 06/18/1999	GK	.XXXX	±.0005	MAT'L.	BLR	ML	GK				
				ANG	±7'30"								
			RFP			CAD FILE EE7308LN		SIZE		DRAWING NO.			
			DIST	WP				A		EE7308-LN			3



DRAWN BLR 06/11/1999
CHK ML 06/18/1999
APPD GK 06/18/1999

THIS DRAWING IN DESIGN AND DETAIL IS OUR PROPERTY AND MUST NOT BE USED EXCEPT IN CONNECTION WITH OUR WORK ALL RIGHTS OF DESIGN AND INVENTION ARE RESERVED THIS IS AN ELECTRONICALLY GENERATED DOCUMENT - DO NOT SCALE THIS PRINT

Data Sheet

Date: 2/1/2018

LM34174



Data @ 460 V

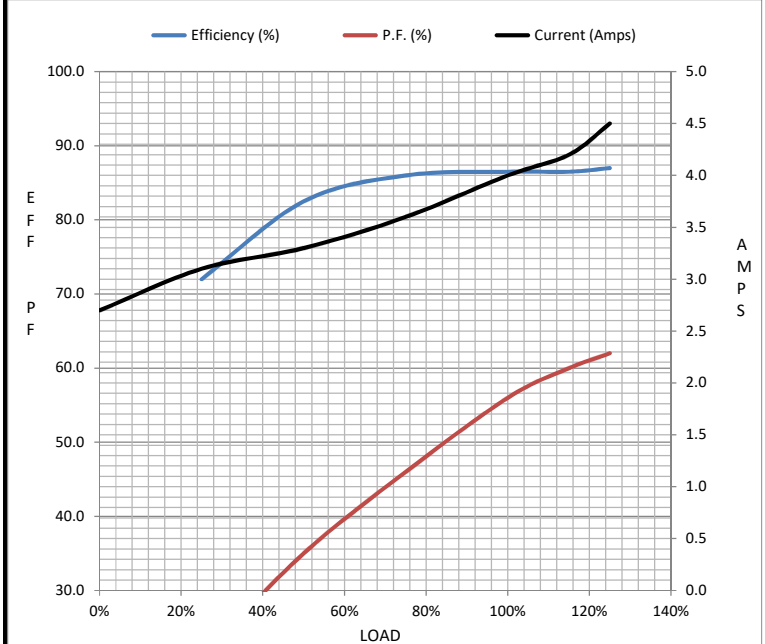
Motor Load Data

Load	0%	25%	50%	75%	100%	115%	125%	LR
Current (Amps)	2.70	3.1	3.3	3.6	4.0	4.2	4.5	24.0
Torque (ft-lb)	0.00	3.0	6.0	9.0	12.0	13.8	15.0	27.5
RPM	900	895	891	888	885	880	878	0
Efficiency (%)		72.0	82.5	86.0	86.5	86.5	87.0	
P.F. (%)	7.0	21.0	35.0	46.0	56.0	60.0	62.0	40.0

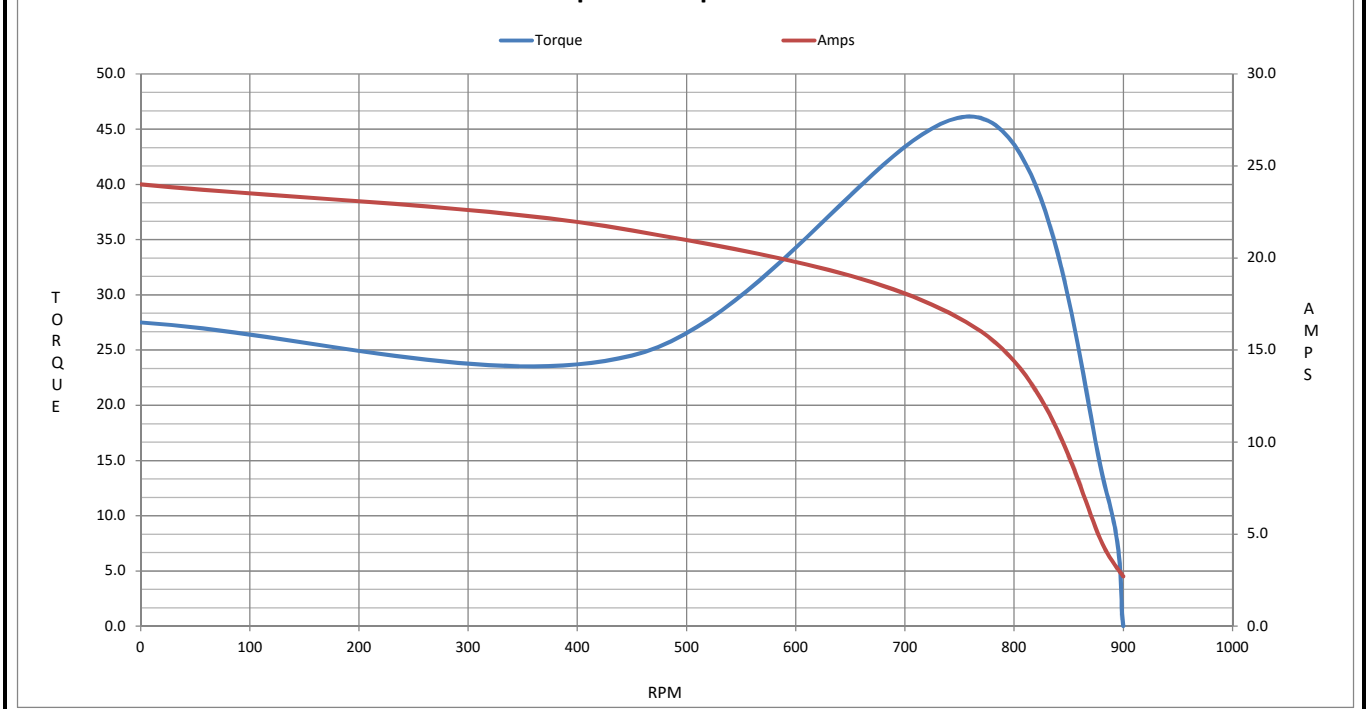
Motor Speed Data

	LR	Pull-Up	BD	Rated	Idle
Speed (RPM)	0	450	770	885	900
Current (Amps)	24.0	21.5	16.0	4.0	2.70
Torque (ft-lb)	27.5	24.5	46.0	12.0	0.00

Information Block				
HP	2.0			
Sync. RPM	900			
Frame	215			
Enclosure	TEFC			
Construction	TFL			
Voltage	230/460 V			
Frequency	60 Hz			
Design	B			
LR Code letter	L			
Service Factor	1.15			
Temp Rise @ FL	25 °C			
Duty	CONT			
Ambient	40 °C			
Elevation	1,000 feet			
Rotor/Shaft wk ²	0.95 Lb-Ft ²			
Ref Wdg	215838 R19			
Sound Pressure @ 1M	52 dBA			
VFD Rating	NONE			
Outline Dwg	NONE			
Conn. Diag	EE7308-LN			
Additional Specifications:				
0				
0				
EQUIV CKT (OHMS / PHASE)				
R1	R2	X1	X2	Xm
1.9310	1.8600	9.0170	10.6220	81.3660



Speed - Torque Curve



EC Declaration of Conformity

The undersigned representing
the manufacturer:

Regal Beloit America
100 East Randolph St.
Wausau, WI 54401

and the authorized representative
established within the Community:

Marathon Electric UK
6F Thistleton Road Ind. Estate
Market Overton
Oakham, Rutland LE15 7PP UK

are committed to providing customers with products that comply with applicable regulations and international protocols to which they are subject, including the requirements of the European Parliament Directive on the Harmonization of the laws relating to electrical equipment designed for use within certain voltage limits (2014/35/EU).

Regal Beloit America declares that the following product(s), to which this declaration relates, are in conformity with the relevant sections of the EC standards listed below.

This statement supersedes any statements previously issued pertaining to the product(s) listed below and is subject to change without notice.

Model No : LM34174

(Model No. may contain prefix and/or suffix characters)

Catalog No : LM34174

Rework No : N/A

Directives :

Low Voltage Directive 2014/35/EU

Harmonized Standards Used :

EN 60034-1: 2010 (IEC 60034-1: 2010)

EN 60034-5: 2001/A1:2007 (IEC 60034-5: 2000/A1:2006)

Authorized Representative:



Michael A. Logsdon
Vice President, Technology

Authorized Representative in the Community:



Julian Clark
Marketing Engineer

Created on 09/01/2022

CE 22