

PRODUCT INFORMATION PACKET



Model No: LM34129
Catalog No: LM34129
20 HP, Special Voltage Motors, 3 phase, 1800 RPM, 200/400 V, 256T Frame, DP
Special Voltage Motors

Regal and Leeson are trademarks of Regal Rexnord Corporation or one of its affiliated companies.
©2021 Regal Rexnord Corporation, All Rights Reserved. MC017097E





Nameplate Specifications

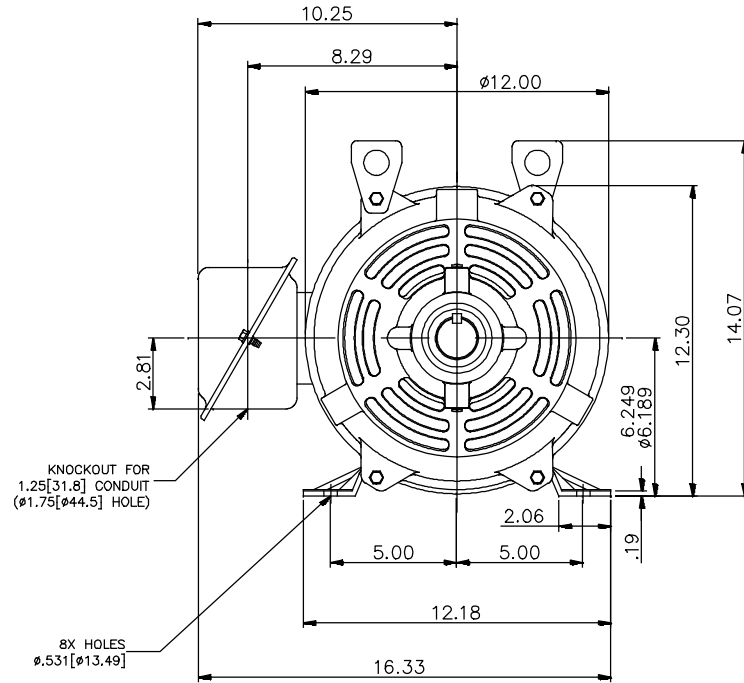
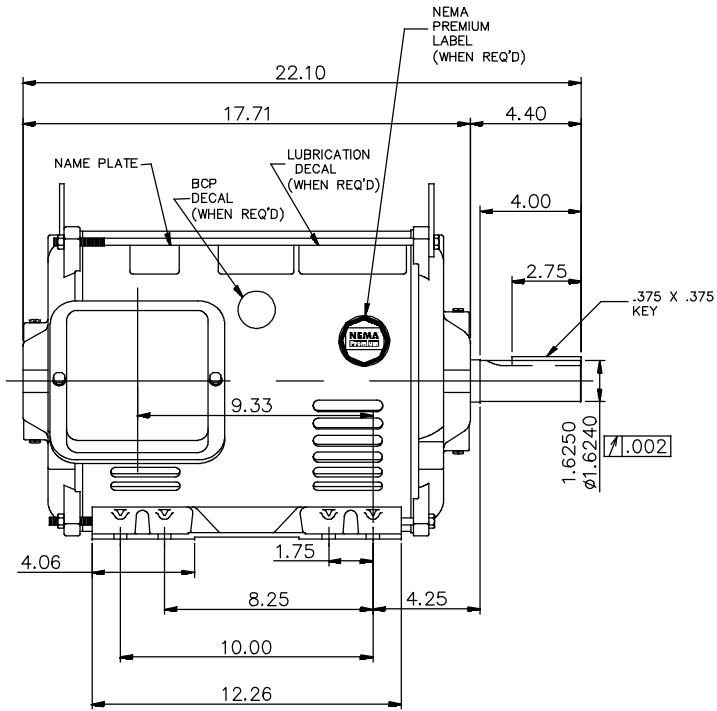
Output HP	20 Hp	Output KW	14.9 kW
Frequency	60 Hz	Voltage	200/400 V
Current	56.5/28.2 A	Speed	1765 rpm
Service Factor	1.15	Phase	3
Efficiency	93.6 %	Power Factor	81.5
Duty	Continuous	Insulation Class	F
Design Code	B	KVA Code	D
Frame	256T	Enclosure	Drip Proof
Thermal Protection	No	Ambient Temperature	40 °C
Drive End Bearing Size	6309	Opp Drive End Bearing Size	6207
UL	Recognized	CSA	Y
CE	Y	IP Code	12
Number of Speeds	1		

Technical Specifications

Electrical Type	Squirrel Cage Induction Run	Starting Method	Across The Line
Poles	4	Rotation	Reversible
Resistance Main	0 Ohms	Mounting	Rigid Base
Motor Orientation	Horizontal	Drive End Bearing	Ball
Opp Drive End Bearing	Ball	Frame Material	Rolled Steel
Shaft Type	T	Assembly/Box Mounting	F1/F2 CAPABLE
Outline Drawing	037977	Connection Drawing	80022802

This is an uncontrolled document once printed or downloaded and is subject to change without notice. Date Created:11/30/2021

037977



NOTES:

1. CONDUIT BOX MAY BE ROTATED IN 90° INCREMENTS.
2. MOTOR IS SUITABLE FOR FIELD CONVERSION FROM AN F1 TO AN F2 CONDUIT BOX LOCATION.
3. MOTOR VENTILATION: AIR INTAKE THROUGH OPENINGS IN THE FACE OF EACH BRACKET AND EXHAUSTED THROUGH THE VENT SLOTS ON EACH END OF THE SHELL.

MOTOR DESCRIPTION:

3 PHASE OPEN DRIPPROOF STEEL SHELL 254T OR 256T MOUNTING. OTHER MOUNTING ORIENTATIONS ARE ACCEPTABLE; HOWEVER WHEN MOUNTED OTHER THAN HORIZONTAL; MOTOR WILL NOT BE DRIPPROOF AS DEFINED BY NEMA.

NO.	REVISION	BY & DATE	CHK	ANG	TOLERANCES UNLESS SPECIFIED		DRAWN	PVR		
					DEC.	INCHES				
004	DECAL UPDATED AS PER ECR-0162503	GNK 09/14/2018	GNK	.X	±.1			01/28/15		
003	ADDED NAME PLATE	MVG 12/12/17	SR	.XX	±.03			ST 01/28/15		
002	CHANGED FROM 20 HP TO 15 HP	AS 01/19/17	ST	.XXX	±.005			APPD		
001	ADDED REGAL LOGO	SRK 02/23/16	GR	.XXXX	±.0005			SCALE 1=4.2		
								REF 18748501-001		
								FMF		
								PREV		
THIS DRAWING IN DESIGN AND DETAIL IS OUR PROPERTY AND MUST NOT BE USED EXCEPT IN CONNECTION WITH OUR WORK ALL RIGHTS OF DESIGN AND INVENTION ARE RESERVED THIS IS AN ELECTRONICALLY GENERATED DOCUMENT - DO NOT SCALE THIS PRINT							RFP	CAD FILE	037977	
							DIST	LB		
							SIZE	DRAWING NO.	PAGE 1 OF 1	REV.
							A	037977		003



TITLE OUTLINE
15 HP