

# PRODUCT INFORMATION PACKET

Model No: LM34002

Catalog No: LM34002

..20HP..3600RPM.256TC.TEFC.460V.3PH.60HZ.Cont.40C.1.15SF.....

Regal and are trademarks of Regal Rexnord Corporation or one of its affiliated companies.  
©2022 Regal Rexnord Corporation, All Rights Reserved. MC017097E



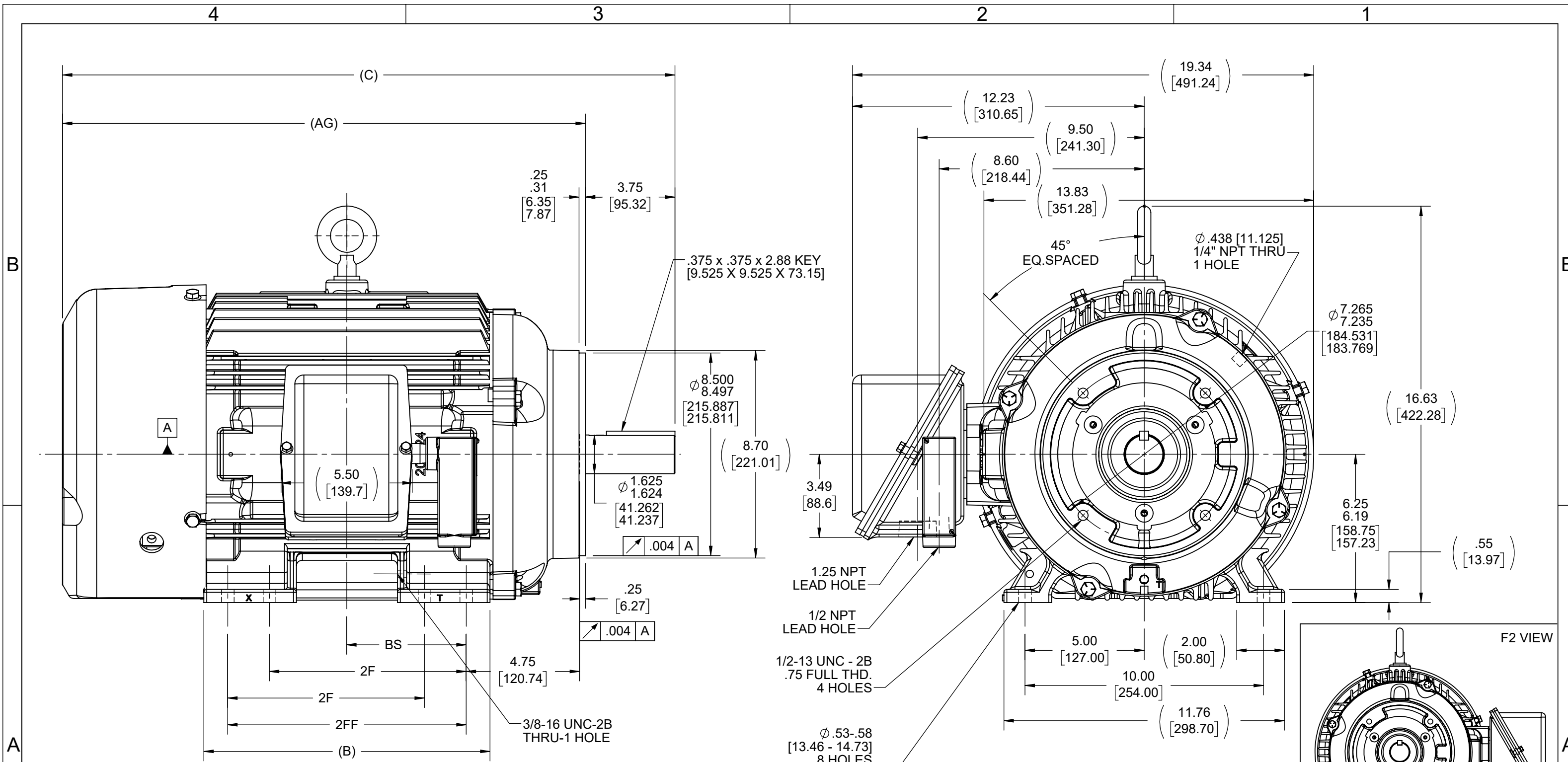
### Nameplate Specifications

Output HP	<b>20 Hp</b>	Output KW	<b>14.9 kW</b>
Frequency	<b>60 Hz</b>	Voltage	<b>460 V</b>
Current	<b>23.4 A</b>	Speed	<b>3537 rpm</b>
Service Factor	<b>1.15</b>	Phase	<b>3</b>
Efficiency	<b>92.4 %</b>	Power Factor	<b>86</b>
Duty	<b>Continuous</b>	Insulation Class	<b>F</b>
Design Code	<b>B</b>	KVA Code	<b>G</b>
Frame	<b>256TC</b>	Enclosure	<b>Totally Enclosed Fan Cooled</b>
Thermal Protection	<b>Thermostat</b>	Ambient Temperature	<b>45 °C</b>
Drive End Bearing Size	<b>6309</b>	Opp Drive End Bearing Size	<b>6210</b>
UL	<b>Recognized</b>	CSA	<b>Y</b>
CE	<b>Y</b>	IP Code	<b>56</b>
Number of Speeds	<b>1</b>		

### Technical Specifications

Electrical Type	<b>Squirrel Cage Inverter Rated</b>	Starting Method	<b>Line Or Inverter</b>
Poles	<b>2</b>	Rotation	<b>Reversible</b>
Resistance Main	<b>.394 Ohms</b>	Mounting	<b>Rigid Base</b>
Motor Orientation	<b>Horizontal</b>	Drive End Bearing	<b>Ball</b>
Opp Drive End Bearing	<b>Ball</b>	Frame Material	<b>Cast Iron</b>
Shaft Type	<b>T</b>	Shaft Diameter	<b>1.625 in</b>
Assembly/Box Mounting	<b>F1/F2 CAPABLE</b>	Inverter Load	<b>CONSTANT 2:1</b>
Connection Drawing	<b>A-EE7300AK-LN</b>	Outline Drawing	<b>B-SS208405-1225</b>

This is an uncontrolled document once printed or downloaded and is subject to change without notice. Date Created:11/01/2022



- NOTES:  
 1. BOX CAN BE ROTATED IN 90° STEPS.  
 2. NAMEPLATE TO BE READ FROM CONDUIT BOX SIDE OF MOTOR.  
 3. BOX CAN BE MOUNTED ON OPPOSITE SIDE BY REMOVING BRACKETS AND TURNING THE FRAME 180°

DASH	FRAME	B	C	2F	2FF	BS	AG
1050	254TC	10.25 [260.35]	24.01 [609.85]	8.25 [209.55]	-	4.12 [104.65]	20.26 [514.60]
1225	256TC	12.00 [304.8]	25.76 [654.30]	8.25 [209.55]	10.00 [254]	5.00 [127]	22.01 [559.05]

DRAWING REVISION D	REVISION BY KR	REV DATE/© DATE 12-08-2021
REQUEST NUMBER CR-0005778	APPROVED BY VT	DATE 12-08-2021
REQUEST NUMBER DESCRIPTION TOLERANCE TABLE ADDED		
COPYRIGHT (PER REVISION DATE) REGAL BELOIT AMERICA, INC. ALL RIGHTS RESERVED. PROPRIETARY AND CONFIDENTIAL INFORMATION - THIS DOCUMENT IS THE PROPERTY OF REGAL BELOIT AMERICA, INC. ("OWNER") AND CONTAINS OWNER'S PROPRIETARY INFORMATION. ANY PERSON, CORPORATION OR OTHER FIRM RECEIVING IT IS DEEMED, BY RECEIVING IT, TO AGREE THAT IT, AND/OR ANY PART OF IT, SHALL NOT BE DISCLOSED TO ANY PERSON, CORPORATION OR OTHER ENTITY, DUPLICATED, AND/OR USED, EXCEPT AS EXPRESSLY APPROVED IN WRITING IN ADVANCE BY OWNER. THIS DOCUMENT SHALL BE RETURNED TO OWNER UPON REQUEST. IT MAY BE SUBJECT TO CERTAIN RESTRICTIONS UNDER APPLICABLE EXPORT CONTROL LAWS AND REGULATIONS.		

TOLERANCES (EXCEPT AS NOTED):  
 DEC. INCH mm ANGLE  
 .X ±0.1 [±3] ±7° 30"  
 .XX ±0.03 [±0.8]  
 .XXX ±0.005 [±0.13]  
 .XXXX ±0.0005 [±0.013]  
 REMOVE BURRS & BREAK SHARP EDGES: .003/.015 [0.08/.38] X 45°  
 CORNER FILLETS: R.02 [5]  
 MACHINED SURFACES: 200 INCH/mm 5.1  
 mm DIMENSIONS IN [BRACKETS] ARE FOR REFERENCE ONLY

DRAWN BY D.FROEHLICH
DATE 06-25-2014
APPROVED BY TBROWN
DATE 06-26-2014
REFERENCE SS208304
THIRD ANGLE PROJECTION

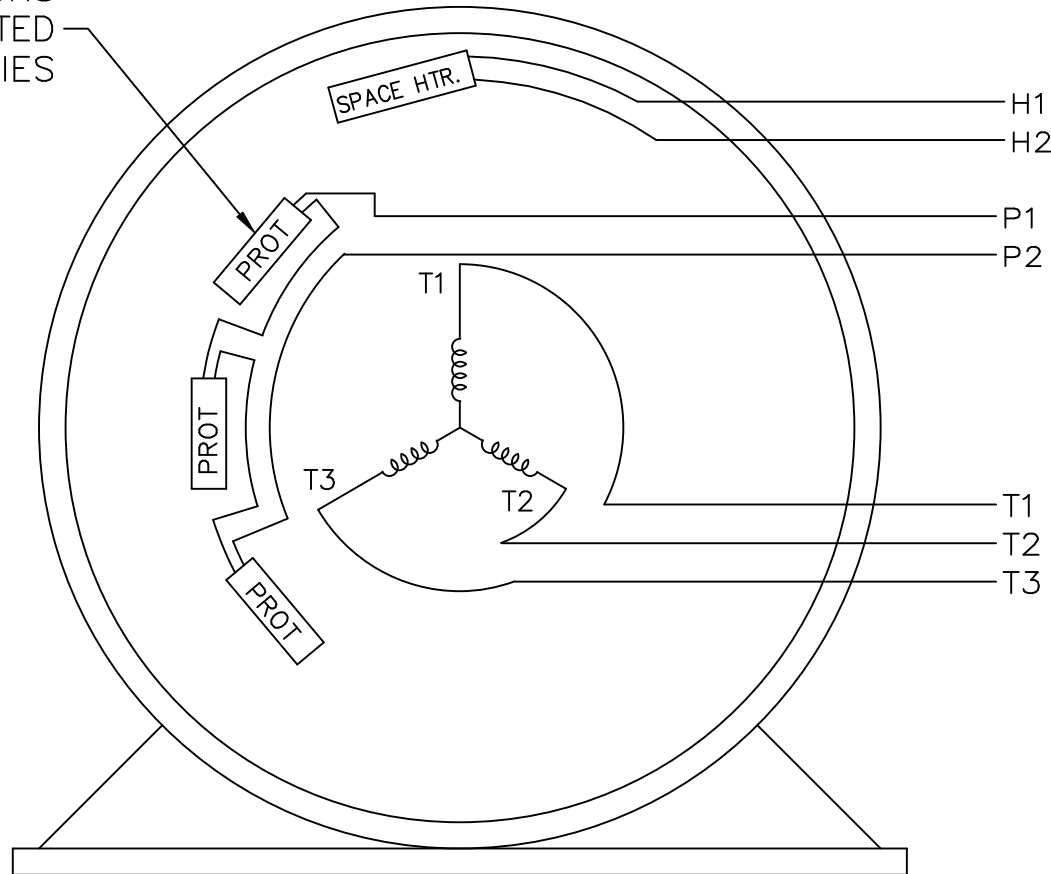
<b>Regal Rexnord</b>		Regal Beloit America, Inc.	
DESCRIPTION <b>OUTLINE</b> 250TC FR - TEFC - AUX. CONDUIT BOX			
MATERIAL		PROCESS/FINISH	
SIZE B	DRAWING NUMBER SS208405	SHEET 1 OF 1	

P1 AND P2 PROTECTORS  
TO VOLTAGE CONTROL

EE7300AK-LN

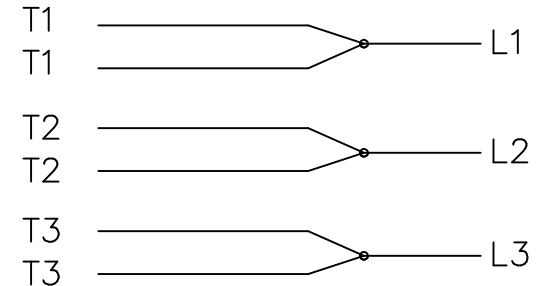
TO REVERSE ROTATION:  
INTERCHANGE ANY TWO  
LINE LEAD CONNECTIONS.

PROTECTORS  
CONNECTED  
IN SERIES




VIEW OF TERMINAL END

IF MOTOR HAS MULTIPLE  
T'S PER LEAD CONNECT  
TOGETHER LIKE T'S



A-9806 DECAL

				TOLERANCES UNLESS SPECIFIED			DRAWN KL 02-12-2003		
				DEC.	INCHES		CHK GFH 02-13-2003		
				.X	± -		APPD EAB 02-13-2003		
				.XX	± -		SCALE 1=1		
				.XXX	± -		REF		
1	NEW DRAWING	MU45325	KL 02-13-2003	.XXXX	± -	TITLE CONNECTION DIAGRAM - EXTERNAL SINGLE VOLTAGE - 3 <sup>∅</sup> MOTOR	FMF		
NO.	REVISION		BY & DATE	CHK	ANG ± -		FINISH	PREV	
THIS DRAWING IN DESIGN AND DETAIL IS OUR PROPERTY AND MUST NOT BE USED EXCEPT IN CONNECTION WITH OUR WORK ALL RIGHTS OF DESIGN AND INVENTION ARE RESERVED THIS IS AN ELECTRONICALLY GENERATED DOCUMENT - DO NOT SCALE THIS PRINT				RFP	CAD FILE EE7300AK-LN		SIZE	DRAWING NO. PAGE OF	REV.
				DIST	WA-LB	A	EE7300AK-LN	1	

## EC Declaration of Conformity

The undersigned representing  
the manufacturer:

Regal Beloit America  
100 East Randolph St.  
Wausau, WI 54401

and the authorized representative  
established within the Community:

Marathon Electric UK  
6F Thistleton Road Ind. Estate  
Market Overton  
Oakham, Rutland LE15 7PP UK

are committed to providing customers with products that comply with applicable regulations and international protocols to which they are subject, including the requirements of the European Parliament Directive on the Harmonization of the laws relating to electrical equipment designed for use within certain voltage limits (2014/35/EU).

Regal Beloit America declares that the following product(s), to which this declaration relates, are in conformity with the relevant sections of the EC standards listed below.

This statement supersedes any statements previously issued pertaining to the product(s) listed below and is subject to change without notice.

Model No : LM34002

(Model No. may contain prefix and/or suffix characters)

Catalog No : LM34002

Rework No : N/A

Directives :

Low Voltage Directive 2014/35/EU

Harmonized Standards Used :

EN 60034-1: 2010 (IEC 60034-1: 2010)

EN 60034-5: 2001/A1:2007 (IEC 60034-5: 2000/A1:2006)

Authorized Representative:



Michael A. Logsdon  
Vice President, Technology

Authorized Representative in the Community:



Julian Clark  
Marketing Engineer

Created on 09/01/2022

**CE 22**