

# PRODUCT INFORMATION PACKET

Model No: LM33637

Catalog No: LM33637

..150HP..3600RPM.405TSC.DP.460V.3PH.60HZ.Cont duty.45C.1.25SF.....

Regal and are trademarks of Regal Rexnord Corporation or one of its affiliated companies.  
©2022 Regal Rexnord Corporation, All Rights Reserved. MC017097E



**Nameplate Specifications**

Output HP	<b>150 Hp</b>	Output KW	<b>112.0 kW</b>
Frequency	<b>60 Hz</b>	Voltage	<b>460 V</b>
Current	<b>165.0 A</b>	Speed	<b>3565 rpm</b>
Service Factor	<b>1.25</b>	Phase	<b>3</b>
Efficiency	<b>95 %</b>	Power Factor	<b>89.5</b>
Duty	<b>Continuous</b>	Insulation Class	<b>F</b>
Design Code	<b>B</b>	KVA Code	<b>F</b>
Frame	<b>405TSC</b>	Enclosure	<b>Drip Proof</b>
Thermal Protection	<b>No Protection</b>	Ambient Temperature	<b>45 °C</b>
Drive End Bearing Size	<b>6313</b>	Opp Drive End Bearing Size	<b>6313</b>
UL	<b>Recognized</b>	CSA	<b>Y</b>
CE	<b>Y</b>	IP Code	<b>12</b>
Number of Speeds	<b>1</b>		

**Technical Specifications**

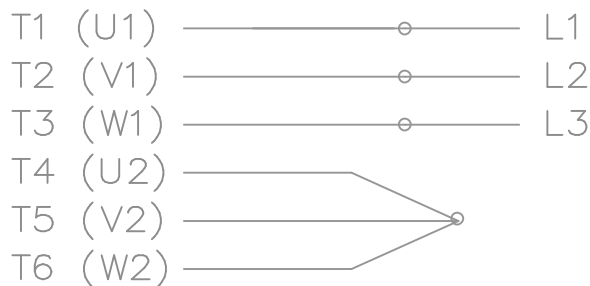
Electrical Type	<b>Squirrel Cage Induction Run</b>	Starting Method	<b>Wye Start Delta Run</b>
Poles	<b>2</b>	Rotation	<b>Reversible</b>
Resistance Main	<b>.0395 Ohms</b>	Mounting	<b>Rigid Base</b>
Motor Orientation	<b>Horizontal</b>	Drive End Bearing	<b>Ball</b>
Opp Drive End Bearing	<b>Ball</b>	Frame Material	<b>Cast Iron</b>
Shaft Type	<b>TS</b>	Shaft Diameter	<b>2.125 in</b>
Assembly/Box Mounting	<b>F2/F1 CAPABLE</b>		
Outline Drawing	<b>B-SS556540-1700</b>	Connection Drawing	<b>A-EE7340-LN</b>

This is an uncontrolled document once printed or downloaded and is subject to change without notice. Date Created:11/10/2022

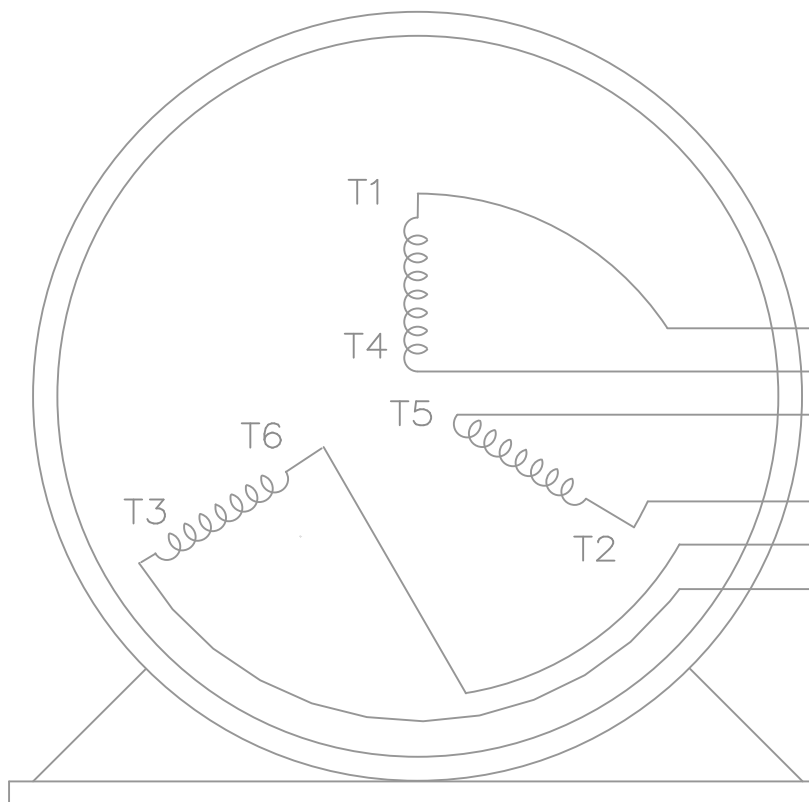
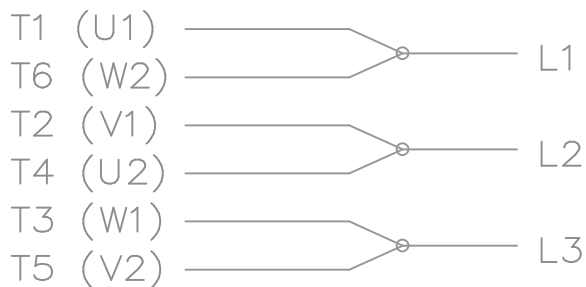


THREE PHASE – Y START  
Δ RUN MOTOR

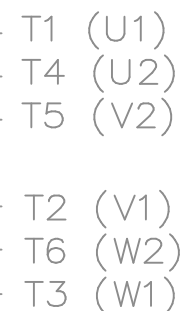
START



RUN




VIEW OF TERMINAL END



T6CK  
T6BM  
T4CC  
T2DL  
T4C

NOTE:  
IEC LEAD MARKINGS ARE NOTED  
IN PARENTHESES

				TOLERANCES UNLESS SPECIFIED			DRAWN BLR 10-04-1999		
				DEC.	INCHES		CHK DRS 10-04-1999		
				.X	±.1		APPD TB 10-04-1999		
3	REVISED TO MATCH M.E. ORIGINAL	TAT 07-25-2005	ML	.XX	±.02	TITLE CONNECTION DIAGRAM 3Ø – WYE START DELTA RUN	SCALE 1=1		
2	REVISED DRAWING MISTAKE CN 29200-2980	ERH 05-15-2003	ML	.XXX	±.005		REF		
1	NEW DRAWING	BLR 10-09-1999		.XXXX	±.0005		FMF		
NO.	REVISION	BY & DATE	CHK	ANG	±'30"	FINISH	PREV		
THIS DRAWING IN DESIGN AND DETAIL IS OUR PROPERTY AND MUST NOT BE USED EXCEPT IN CONNECTION WITH OUR WORK ALL RIGHTS OF DESIGN AND INVENTION ARE RESERVED THIS IS AN ELECTRONICALLY GENERATED DOCUMENT – DO NOT SCALE THIS PRINT				RFP	CAD FILE ee7340_In		SIZE	DRAWING NO. PAGE OF	REV.
				DIST	WA-LB-SB		A	EE7340-LN	3

## EC Declaration of Conformity

The undersigned representing  
the manufacturer:

Regal Beloit America  
100 East Randolph St.  
Wausau, WI 54401

and the authorized representative  
established within the Community:

Marathon Electric UK  
6F Thistleton Road Ind. Estate  
Market Overton  
Oakham, Rutland LE15 7PP UK

are committed to providing customers with products that comply with applicable regulations and international protocols to which they are subject, including the requirements of the European Parliament Directive on the Harmonization of the laws relating to electrical equipment designed for use within certain voltage limits (2014/35/EU).

Regal Beloit America declares that the following product(s), to which this declaration relates, are in conformity with the relevant sections of the EC standards listed below.

This statement supersedes any statements previously issued pertaining to the product(s) listed below and is subject to change without notice.

Model No : LM33637

(Model No. may contain prefix and/or suffix characters)

Catalog No : LM33637

Rework No : N/A

Directives :

Low Voltage Directive 2014/35/EU

Harmonized Standards Used :

EN 60034-1: 2010 (IEC 60034-1: 2010)

EN 60034-5: 2001/A1:2007 (IEC 60034-5: 2000/A1:2006)

Authorized Representative:



Michael A. Logsdon  
Vice President, Technology

Authorized Representative in the Community:



Julian Clark  
Marketing Engineer

Created on 09/01/2022

**CE 22**