

PRODUCT INFORMATION PACKET



Model No: LM33591
Catalog No: LM33591
Encoder Motor, 2 HP, 3 Ph, 60 Hz, 230/460 V, 1800 RPM, 182TC Frame, TENV



Regal and Leeson are trademarks of Regal Rexnord Corporation or one of its affiliated companies.
©2022 Regal Rexnord Corporation, All Rights Reserved. MC017097E





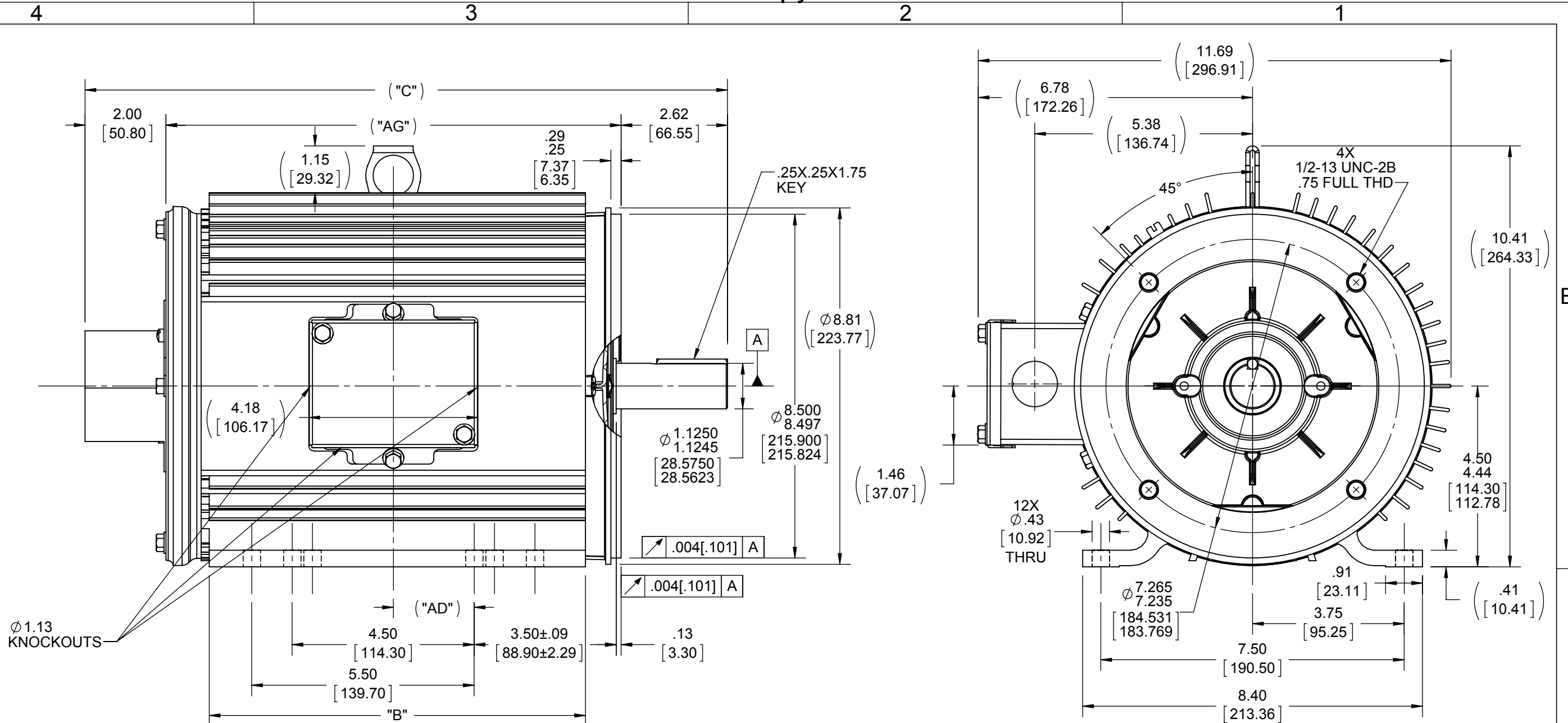
Nameplate Specifications

Output HP	2 Hp	Output KW	1.5 kW
Frequency	60 Hz	Voltage	230/460 V
Current	8.2/3.3 A	Speed	1770 rpm
Service Factor	1	Phase	3
Efficiency	83.5 %	Power Factor	69
Duty	Continuous	Insulation Class	F
Design Code	INV	KVA Code	P
Frame	182TC	Enclosure	Totally Enclosed Non Ventilated
Thermal Protection	No Protection	Ambient Temperature	40 °C
Drive End Bearing Size	6207	Opp Drive End Bearing Size	6206
UL	Recognized	CSA	Y
CE	Y	IP Code	43
Number of Speeds	1		

Technical Specifications

Electrical Type	Squirrel Cage Inverter Duty	Starting Method	Inverter Only
Poles	4	Rotation	Reversible
Resistance Main	0 Ohms	Mounting	Rigid Base
Motor Orientation	Horizontal	Drive End Bearing	Ball
Opp Drive End Bearing	Ball	Frame Material	Aluminum
Shaft Type	T	Overall Length	15.88 in
Frame Length	9.50 in	Shaft Diameter	1.125 in
Shaft Extension	2.62 in	Assembly/Box Mounting	F1/F2 CAPABLE
Outline Drawing	036143LN-950	Connection Drawing	0501020LN

This is an uncontrolled document once printed or downloaded and is subject to change without notice. Date Created:11/28/2022



950	15.88	2.00	9.3	11.25	12
DASH NO	"C"	"AD"	"B"	"AG"	FOOT HOLES

DRAWING REVISION A	REVISION BY SAJID	DATE 06/05/2015
ECO ECO-0068533	APPROVED BY SR	DATE 06/05/2015
ECO DESCRIPTION NEW DRAWING		
<small>COPYRIGHT REGAL BELOIT AMERICA, INC. ALL RIGHTS RESERVED. PROPRIETARY AND CONFIDENTIAL INFORMATION - THIS DOCUMENT IS THE PROPERTY OF REGAL BELOIT AMERICA, INC. ("OWNER") AND CONTAINS OWNER'S PROPRIETARY INFORMATION. ANY PERSON, CORPORATION OR OTHER FIRM RECEIVING IT IS DEEMED, BY RECEIVING IT, TO AGREE THAT IT, AND/OR ANY PART OF IT, SHALL NOT BE DISCLOSED TO ANY PERSON, CORPORATION OR OTHER ENTITY, DUPLICATED, AND/OR USED, EXCEPT AS EXPRESSLY APPROVED IN WRITING IN ADVANCE BY OWNER. THIS DOCUMENT SHALL BE RETURNED TO OWNER UPON REQUEST. IT MAY BE SUBJECT TO CERTAIN RESTRICTIONS UNDER APPLICABLE EXPORT CONTROL LAWS AND REGULATIONS.</small>		

TOLERANCES UNLESS OTHERWISE SPECIFIED:			
DEC.	INCH	mm	ANGLE
.X	±0.1	[±2.5]	±0.5°
.XX	±0.01	[±0.25]	
.XXX	±0.005	[±0.127]	
.XXXX	±0.0005	[±0.0127]	
REMOVE BURRS & BREAK SHARP EDGES: .003/.015 [0.076/.381] X 45°			
CORNER FILLETS: R.02 [0.51]			
MACHINED SURFACES: 125 INCH 3.2 mm			
mm SHOWN IN [BRACKETS]			

DRAWN BY SAJID
DATE 06/05/2015
APPROVED BY SR
DATE 06/05/2015
REFERENCE 036130
THIRD ANGLE PROJECTION

Regal Beloit America, Inc.	
DESCRIPTION OUTLINE TENV-180 AL. FR.	
MATERIAL	PROCESS/FINISH
SIZE B	DRAWING NUMBER 036143LN
SHEET 1 OF 1	

Data Sheet

Date: 2/1/2018

LM33591



Data @ **460 V**

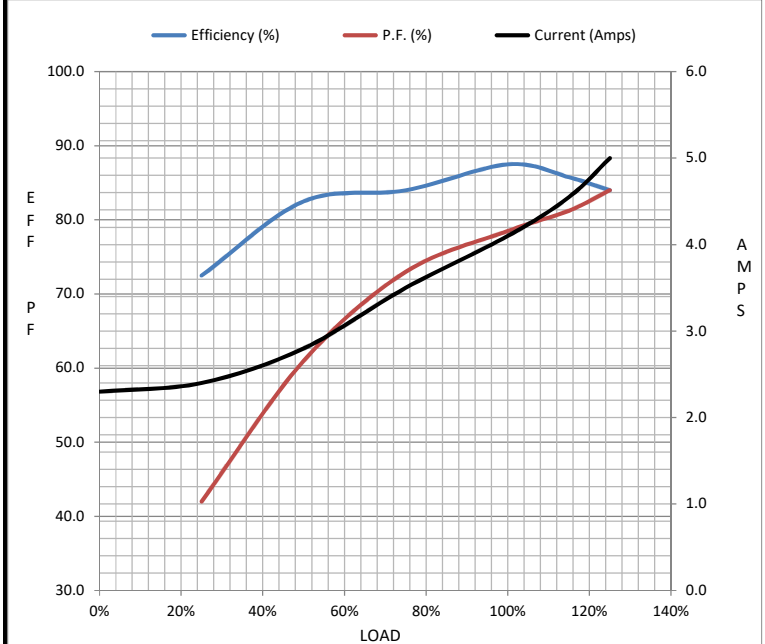
Motor Load Data

Load	0%	25%	50%	75%	100%	115%	125%	LR
Current (Amps)	2.30	2.40	2.80	3.5	4.1	4.6	5.0	46.0
Torque (ft-lb)	0.00	2.20	4.4	6.7	9.0	10.2	11.3	34.0
RPM	1800	1790	1780	1765	1755	1.751	1745	0
Efficiency (%)		72.5	82.5	84.0	87.5	85.8	84.0	
P.F. (%)	10.5	42.0	61.0	73.0	78.5	81.3	84.0	60.5

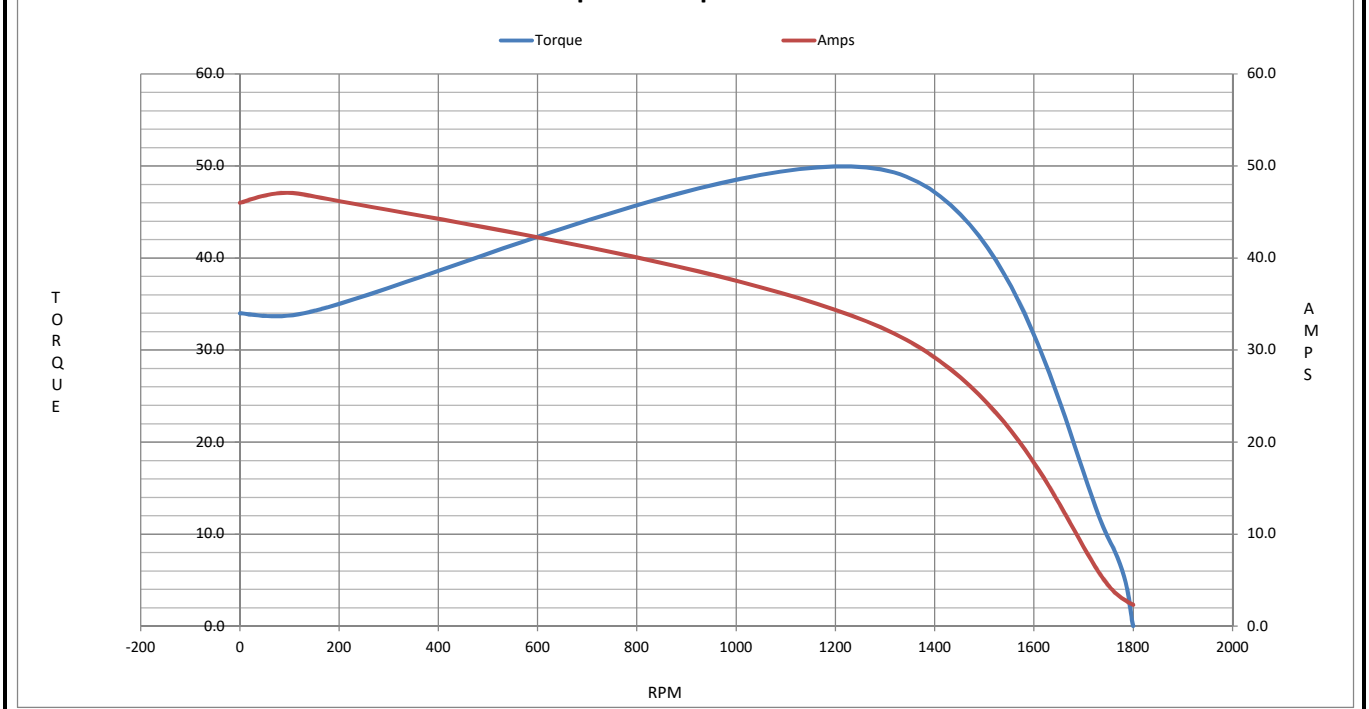
Motor Speed Data

	LR	Pull-Up	BD	Rated	Idle
Speed (RPM)	0	130	1318	1755	1800
Current (Amps)	46.0	46.9	31.8	4.1	2.30
Torque (ft-lb)	34.0	34.0	49.3	9.0	0.00

Information Block				
HP	3.0			
Sync. RPM	1800			
Frame	182			
Enclosure	TENV			
Construction	TTL			
Voltage	230/460 V			
Frequency	60 Hz			
Design	A			
LR Code letter	N			
Service Factor	1.15			
Temp Rise @ FL	75 °C			
Duty	CONT			
Ambient	40 °C			
Elevation	1,000 feet			
Rotor/Shaft wk ²	0.42 Lb-Ft ²			
Ref Wdg	T84180 NONE			
Sound Pressure @ 1M	62 dBA			
VFD Rating	CONSTANT 100:1			
Outline Dwg	036143LN-950			
Conn. Diag	0501020LN			
Additional Specifications:				
0				
0				
EQUIV CKT (OHMS / PHASE)				
R1	R2	X1	X2	Xm
1.5780	1.8020	2.8380	2.0910	94.1300



Speed - Torque Curve



EC Declaration of Conformity

The undersigned representing
the manufacturer:

Regal Beloit America
100 East Randolph St.
Wausau, WI 54401

and the authorized representative
established within the Community:

Marathon Electric UK
6F Thistleton Road Ind. Estate
Market Overton
Oakham, Rutland LE15 7PP UK

are committed to providing customers with products that comply with applicable regulations and international protocols to which they are subject, including the requirements of the European Parliament Directive on the Harmonization of the laws relating to electrical equipment designed for use within certain voltage limits (2014/35/EU).

Regal Beloit America declares that the following product(s), to which this declaration relates, are in conformity with the relevant sections of the EC standards listed below.

This statement supersedes any statements previously issued pertaining to the product(s) listed below and is subject to change without notice.

Model No : LM33591

(Model No. may contain prefix and/or suffix characters)

Catalog No : LM33591

Rework No : N/A

Directives :

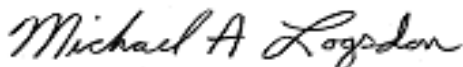
Low Voltage Directive 2014/35/EU

Harmonized Standards Used :

EN 60034-1: 2010 (IEC 60034-1: 2010)

EN 60034-5: 2001/A1:2007 (IEC 60034-5: 2000/A1:2006)

Authorized Representative:



Michael A. Logsdon
Vice President, Technology

Authorized Representative in the Community:



Julian Clark
Marketing Engineer

Created on 09/01/2022

CE 22