

# PRODUCT INFORMATION PACKET



Model No: LM33561  
Catalog No: LM33561

General Purpose Motor, 1.50 & 1.50 HP, 3 Ph, 60 & 50 Hz, 230/460 & 380-415 V, 1200 & 1000 RPM,  
182T Frame, TEFC



Regal and Leeson are trademarks of Regal Rexnord Corporation or one of its affiliated companies.  
©2023 Regal Rexnord Corporation, All Rights Reserved. MC017097E



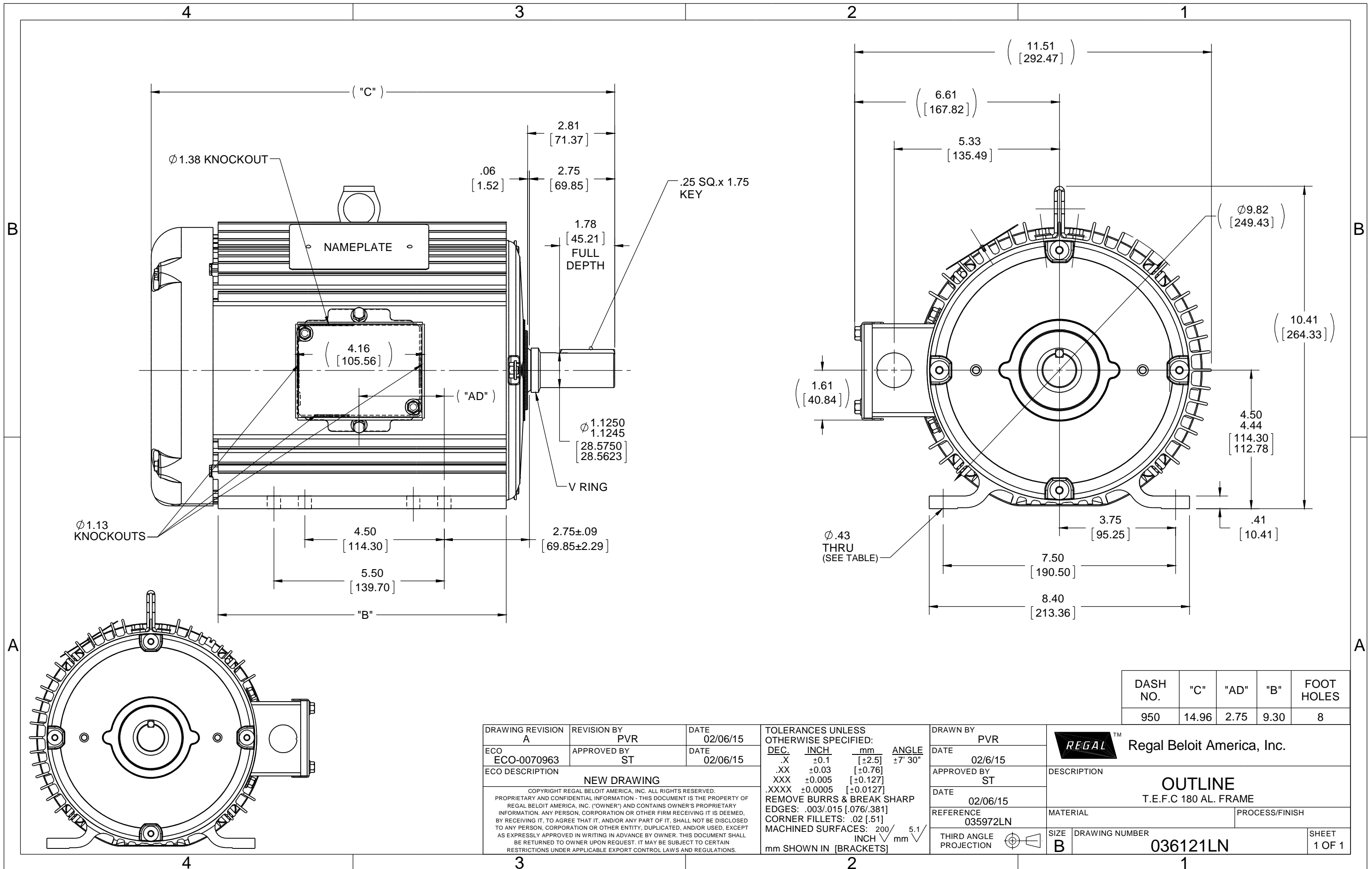


### Nameplate Specifications

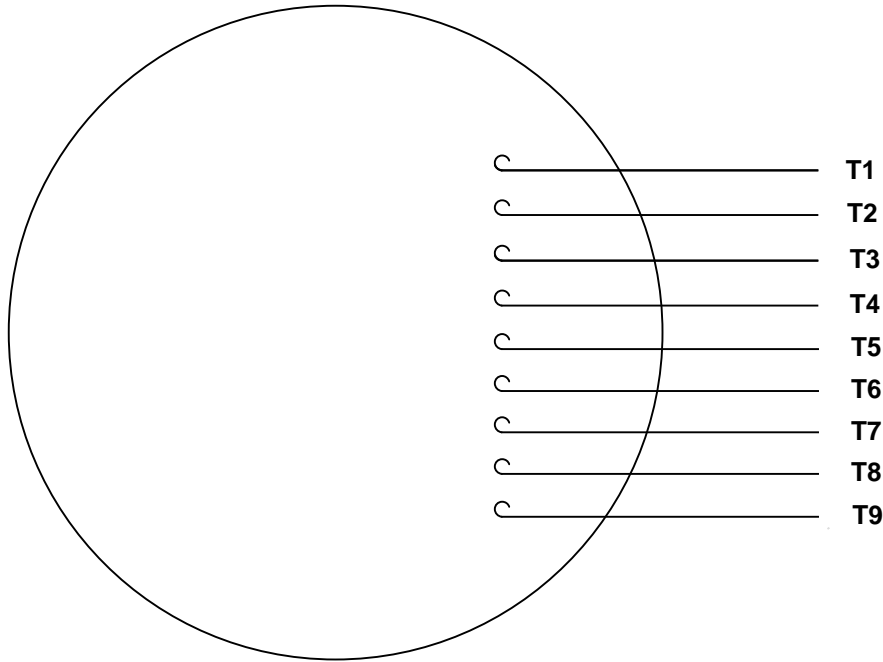
Phase	<b>3</b>	Output HP	<b>1.50 &amp; 1.50 Hp</b>
Output KW	<b>1.1 &amp; 1.1 kW</b>	Voltage	<b>230/460 &amp; 380-415 V</b>
Speed	<b>1175 &amp; rpm</b>	Service Factor	<b>1.25 &amp; 1.15</b>
Frame	<b>182T</b>	Enclosure	<b>Totally Enclosed Fan Cooled</b>
Thermal Protection	<b>No Protection</b>	Efficiency	<b>87.5 %</b>
Ambient Temperature	<b>40 °C</b>	Frequency	<b>60 &amp; 50 Hz</b>
Current	<b>5.2/2.6 &amp; 6.5-6 A</b>	Power Factor	<b>62</b>
Duty	<b>Continuous</b>	Insulation Class	<b>F</b>
Design Code	<b>B</b>	KVA Code	<b>K</b>
Drive End Bearing Size	<b>6206</b>	Opp Drive End Bearing Size	<b>6205</b>
UL	<b>Recognized</b>	CSA	<b>Y</b>
CE	<b>N</b>	IP Code	<b>43</b>
Number of Speeds	<b>1</b>		

### Technical Specifications

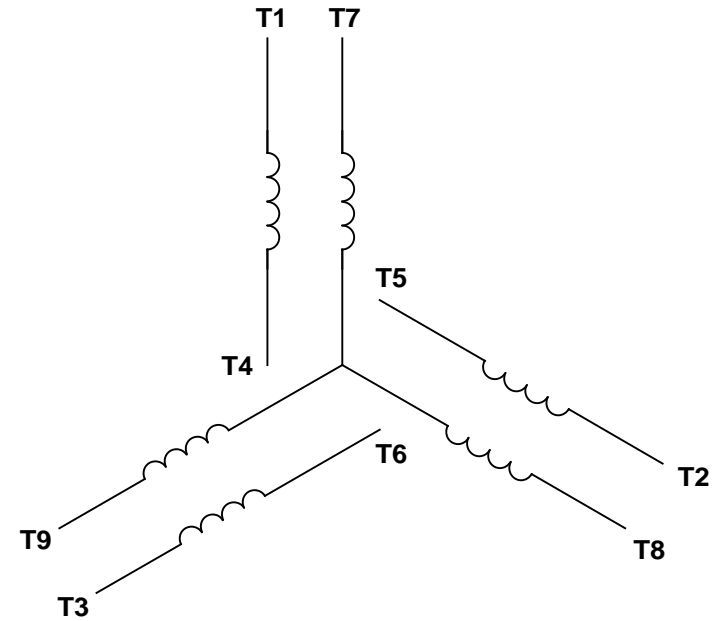
Electrical Type	<b>Squirrel Cage Induction Run</b>	Starting Method	<b>Across The Line</b>
Poles	<b>6</b>	Rotation	<b>Reversible</b>
Resistance Main	<b>0 Ohms</b>	Mounting	<b>Rigid Base</b>
Motor Orientation	<b>Horizontal</b>	Drive End Bearing	<b>Ball</b>
Opp Drive End Bearing	<b>Ball</b>	Frame Material	<b>Aluminum</b>
Shaft Type	<b>T</b>	Overall Length	<b>14.96 in</b>
Frame Length	<b>9.50 in</b>	Shaft Diameter	<b>1.125 in</b>
Shaft Extension	<b>2.75 in</b>	Assembly/Box Mounting	<b>F1/F2 CAPABLE</b>
Outline Drawing	<b>036121LN-950</b>	Connection Drawing	<b>005010.01LN</b>



VIEW FROM OUTSIDE OF MOTOR AT SWITCH END.



LINE LEADS



VOLTAGE	L1	L2	L3	JOIN & INSULATE
HIGH	T1	T2	T3	(T4, T7) (T5, T8) (T6, T9)
LOW	T1, T7	T2, T8	T3, T9	T4, T5, T6

RBC PROPRIETARY AND CONFIDENTIAL INFORMATION  
 This document is the property of REGAL BELOIT CORPORATION ("RBC") including its subsidiaries and divisions and contains proprietary information of RBC. This document is loaned on the express condition that neither it nor the information contained therein shall be disclosed to others without the express written consent of RBC, and that the information shall be used by the recipient only as approved expressly by RBC. This document shall be returned to RBC upon its request. This document may be subject to certain restrictions under U.S. export control laws and regulations.

		TOLERANCES UNLESS SPECIFIED				DRAWN KMM 04/16/02	
		DEC	INCHES			CHK	
		.X	±.1			APPR	
		.XX	±.01			SCALE 1:1	
			.XXX	±.005	TITLE EXTERNAL WIRING DIAGRAM 3 PHASE W/O PROTECTOR		REF FIG. 2-51
--	REDRAWN IN SOLIDWORKS	VJB 02/08/11	.XXXX	±.0005	MAT'L DECAL - 004014		FMF
NO	REVISION	BY & DATE	CHK	ANG ±1/2°	FINISH		PAGE OF
THIRD ANGLE PROJECTION			RFP 04/12/02	PREV	SIZE	DRAWING NO	REV
			NETWORK FILE NAME 00501001LN		A	005010-01LN	--



2100 WASHINGTON ST.  
 GRAFTON, WI  
 PH. 262-277-8810

**CERTIFICATION DATA SHEET**

**CONN. DIAGRAM:** 005010.01LN  
**OUTLINE:** 036121LN-950  
**WINDING #:** T8636 FL 3

CATALOG : LM33561

**MOUNTING:** F1/F2 CAPABLE

**TYPICAL MOTOR PERFORMANCE DATA**

HP	kW	SYNC. RPM	F.L. RPM	FRAME	ENCLOSURE	KVA CODE	DESIGN
1 1/2&1 1/2	1.12&1.12	1200	1175	182T	TEFC	K	B

PH	Hz	VOLTS	AMPS	START TYPE	DUTY	INSL	S.F.	AMB°C
3	60/50	230/460&380-415	5.2/2.6&6.5-6	ACROSS THE LINE	CONTINUOUS	F4	1.25/1.15	40

FULL LOAD EFF:	87.5	3/4 LOAD EFF:	86	1/2 LOAD EFF:	83	GTD. EFF		ELEC. TYPE	
FULL LOAD PF:	62	3/4 LOAD PF:	55	1/2 LOAD PF:	43	85.5		SQ CAGE IND RUN	

F.L. TORQUE	LOCKED ROTOR AMPS	L.R. TORQUE	B.D. TORQUE	F.L. RISE°C
6.705 LB-FT	30.4 / 15.2	10.97 LB-FT 163 %	22.5 LB-FT 335 %	35

SOUND PRESSURE @ 3 FT.	SOUND POWER	ROTOR WK^2	MAX. WK^2	SAFE STALL TIME	STARTS / HOUR	APPROX. MOTOR WGT
0 dBA	10 dBA	0.56 LB-FT^2	0 LB-FT^2	10 SEC.	0	0 LBS.

**\*\*\* SUPPLEMENTAL INFORMATION \*\*\***

DE BRACKET TYPE	ODE BRACKET TYPE	MOUNT TYPE	ORIENTATION	SEVERE DUTY	HAZARDOUS LOCATION	DRIP COVER	SCREENS	PAINT
STANDARD	STANDARD	RIGID	HORIZONTAL	FALSE	NONE	FALSE	NONE	GRAY - GE

BEARINGS		GREASE	SHAFT TYPE	SPECIAL DE	SPECIAL ODE	SHAFT MATERIAL	FRAME MATERIAL
DE	ODE						
BALL	BALL	POLYREX EM	T	NONE	NONE	AISI 1045 (C-240)	ALUMINUM
6206	6205						

THERMO-PROTECTORS				THERMISTORS	CONTROL	SPACE HEATERS
THERMOSTATS	PROTECTORS	WDG RTDs	BRG RTDs			
NONE	NOT	NONE	NONE	NONE	FALSE	NONE VOLTS

\*  
N  
O  
T  
E  
S  
\*

<b>INVERTER TORQUE:</b> NONE
<b>INV. HP SPEED RANGE:</b> NONE
<b>ENCODER:</b> NONE
NONE NONE
NONE NONE PPR
<b>BRAKE:</b> NONE NONE
NONE P/N NONE
NONE NONE
NONE FT-LB NONE V NONE Hz

Data Sheet

Date: 1/23/2018

LM33561



Data @ **460 V**

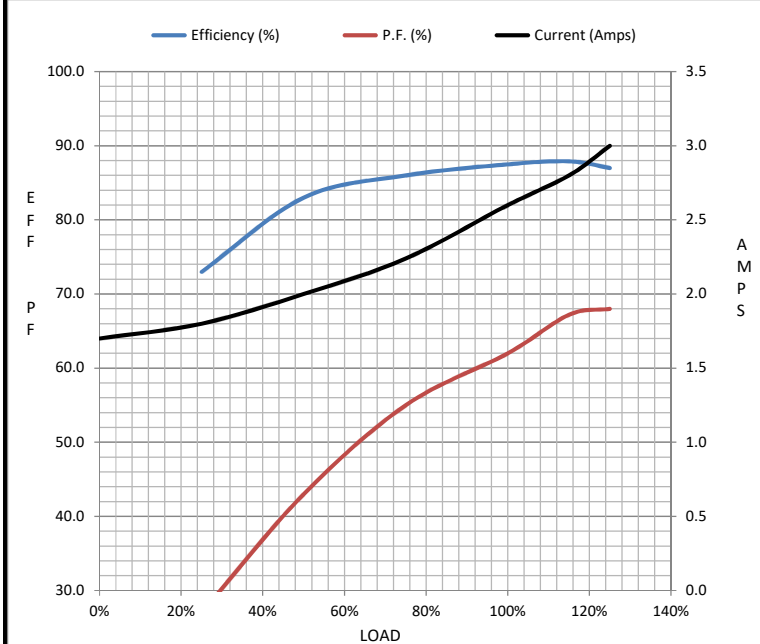
Motor Load Data

Load	0%	25%	50%	75%	100%	115%	125%	LR
Current (Amps)	1.70	1.80	2.00	2.24	2.60	2.80	3.0	15.2
Torque (ft-lb)	0.00	1.65	3.3	5.0	6.7	7.8	8.5	11.0
RPM	1200	1195	1190	1185	1175	1,175	1170	0
Efficiency (%)		73.0	83.0	86.0	87.5	87.9	87.0	
P.F. (%)	8.0	27.0	43.0	55.0	62.0	67.2	68.0	38.0

Motor Speed Data

	LR	Pull-Up	BD	Rated	Idle
Speed (RPM)	0	600	1043	1175	1200
Current (Amps)	15.2	14.9	7.4	2.60	1.70
Torque (ft-lb)	11.0	10.8	22.5	6.7	0.00

Information Block				
HP	1.5			
Sync. RPM	1200			
Frame	180			
Enclosure	TEFC			
Construction	TFL			
Voltage	230/460#380-415 V			
Frequency	60 Hz			
Design	B			
LR Code letter	K			
Service Factor	1.15			
Temp Rise @ FL	35 °C			
Duty	CONT			
Ambient	40 °C			
Elevation	1,000 feet			
Rotor/Shaft wk <sup>2</sup>	0.56 Lb-Ft <sup>2</sup>			
Ref Wdg	T8636 FL			
Sound Pressure @ 1M	0 dBA			
VFD Rating	NONE			
Outline Dwg	036121LN-950			
Conn. Diag	005010.01LN			
Additional Specifications:				
0				
0				
EQUIV CKT (OHMS / PHASE)				
R1	R2	X1	X2	Xm
0.0000	0.0000	0.0000	0.0000	0.0000



Speed - Torque Curve

