

PRODUCT INFORMATION PACKET



Model No: LM32839
Catalog No: LM32839
7.50 HP General Purpose Motor, 3 phase, 900 RPM, 230/460 V, 256TC Frame, TEFC
General Purpose Motors



Regal and Leeson are trademarks of Regal Rexnord Corporation or one of its affiliated companies.
©2021 Regal Rexnord Corporation, All Rights Reserved. MC017097E



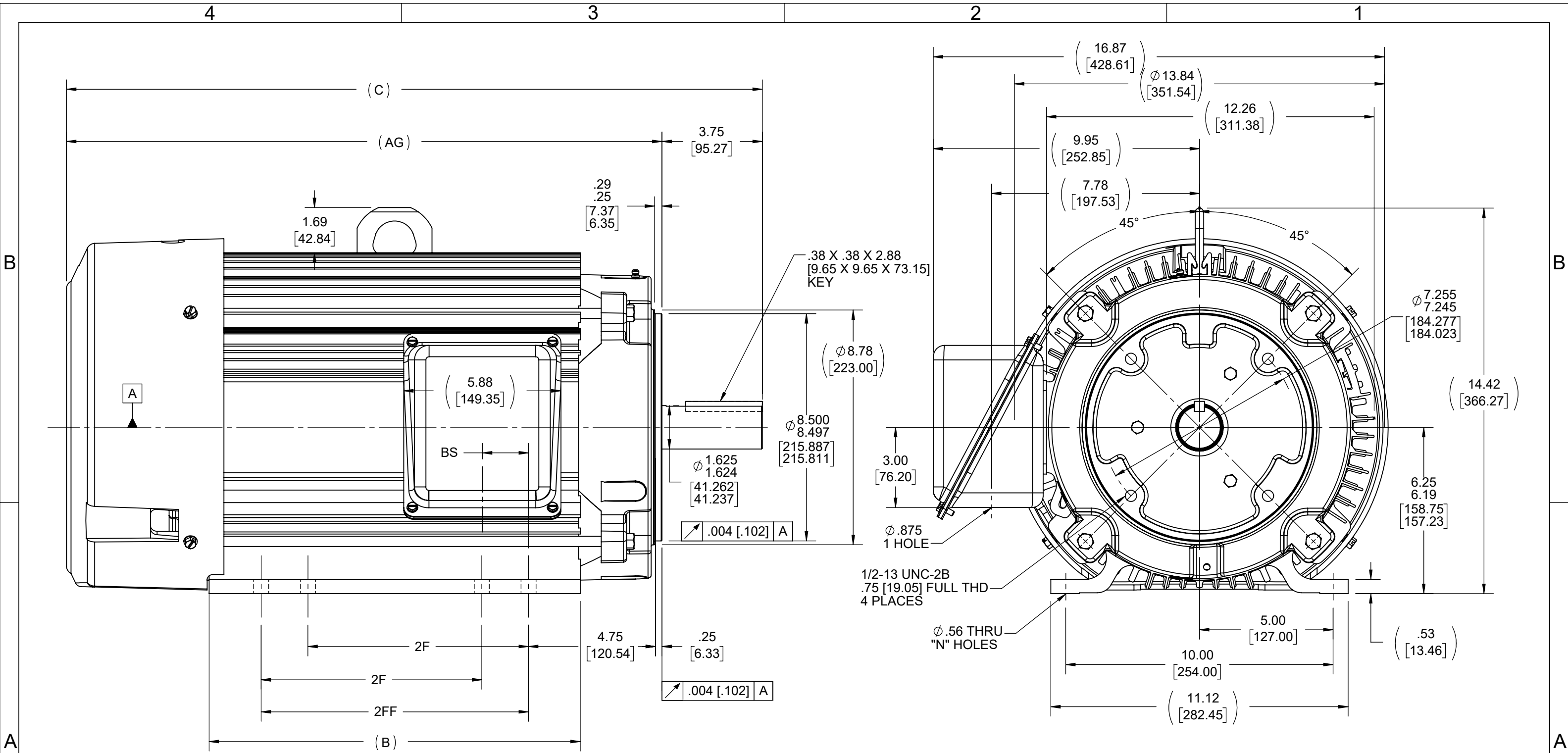


Nameplate Specifications

Output HP	7.50 Hp	Output KW	5.6 kW
Frequency	60 Hz	Voltage	230/460 V
Current	23.0/11.5 A	Speed	872 rpm
Service Factor	1.15	Phase	3
Efficiency	86.5 %	Power Factor	70
Duty	Continuous	Insulation Class	F
Design Code	B	KVA Code	G
Frame	256TC	Enclosure	Totally Enclosed Fan Cooled
Thermal Protection	No	Ambient Temperature	40 °C
Drive End Bearing Size	6309	Opp Drive End Bearing Size	6208
UL	Recognized	CSA	Y
CE	Y	IP Code	43
Number of Speeds	1		

Technical Specifications

Electrical Type	Squirrel Cage Induction Run	Starting Method	Across The Line
Poles	8	Rotation	Reversible
Mounting	Rigid Base	Motor Orientation	Horizontal
Drive End Bearing	Ball	Opp Drive End Bearing	Ball
Frame Material	Aluminum	Shaft Type	T
Overall Length	25.75 in	Frame Length	13.75 in
Shaft Diameter	1.625 in	Shaft Extension	3.75 in
Assembly/Box Mounting	F1/F2 CAPABLE		
Outline Drawing	SS321103LN-1375	Connection Drawing	EE7308-LN



NOTES:
 1. CONDUIT BOX CAN BE ROTATED IN 90° STEPS
 2. NAMEPLATES TO BE READ FROM CONDUIT BOX SIDE OF MOTOR

DASH	FRAME	C	B	BS	2F	2FF	AG	N
1200	254TC	24.28 [616.71]	12.13 [308.10]	1.73 [43.94]	8.25 [209.55]	-----	20.53 [521.46]	4
1375	254/6TC	26.03 [661.16]	13.88 [352.55]	1.73 [43.94]	8.25 [209.55]	10.00 [254.00]	22.28 [565.91]	8

DRAWING REVISION B	REVISION BY JVD	DATE 05/27/2021
ECO CR-0002792	APPROVED BY AS	DATE 05/27/2021
ECO DESCRIPTION REPLACED FAN GUARD 3C223-E3 TO 205016B		
<small>COPYRIGHT REGAL BELOIT AMERICA, INC. ALL RIGHTS RESERVED. PROPRIETARY AND CONFIDENTIAL INFORMATION - THIS DOCUMENT IS THE PROPERTY OF REGAL BELOIT AMERICA, INC. ("OWNER") AND CONTAINS OWNER'S PROPRIETARY INFORMATION. ANY PERSON, CORPORATION OR OTHER FIRM RECEIVING IT IS DEEMED, BY RECEIVING IT, TO AGREE THAT IT, AND/OR ANY PART OF IT, SHALL NOT BE DISCLOSED TO ANY PERSON, CORPORATION OR OTHER ENTITY, DUPLICATED, AND/OR USED, EXCEPT AS EXPRESSLY APPROVED IN WRITING IN ADVANCE BY OWNER. THIS DOCUMENT SHALL BE RETURNED TO OWNER UPON REQUEST. IT MAY BE SUBJECT TO CERTAIN RESTRICTIONS UNDER APPLICABLE EXPORT CONTROL LAWS AND REGULATIONS.</small>		

TOLERANCES UNLESS OTHERWISE SPECIFIED:
 DEC. INCH mm ANGLE
 .X ±0.1 [±2.5] ±7° 30"
 .XX ±0.03 [±0.76]
 .XXX ±0.005 [±0.127]
 .XXXX ±0.0005 [±0.0127]
 REMOVE BURRS & BREAK SHARP EDGES: .003/.015 [0.076/.381] X 45°
 CORNER FILLETS: R.02 [51]
 MACHINED SURFACES: 200 INCH mm 5.1
 mm SHOWN IN [BRACKETS]

DRAWN BY
CTO
 DATE
05-11-2004
 APPROVED BY
TB
 DATE
05-11-2004
 REFERENCE
 THIRD ANGLE PROJECTION

REGAL™ Regal Beloit America, Inc.

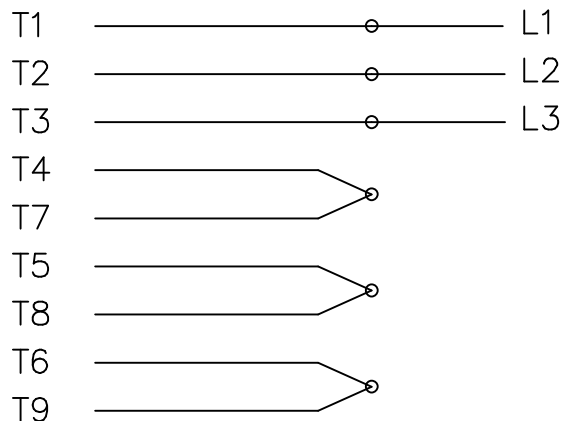
DESCRIPTION
OUTLINE
250TC FR - ALUM FR - TEFC

MATERIAL PROCESS/FINISH

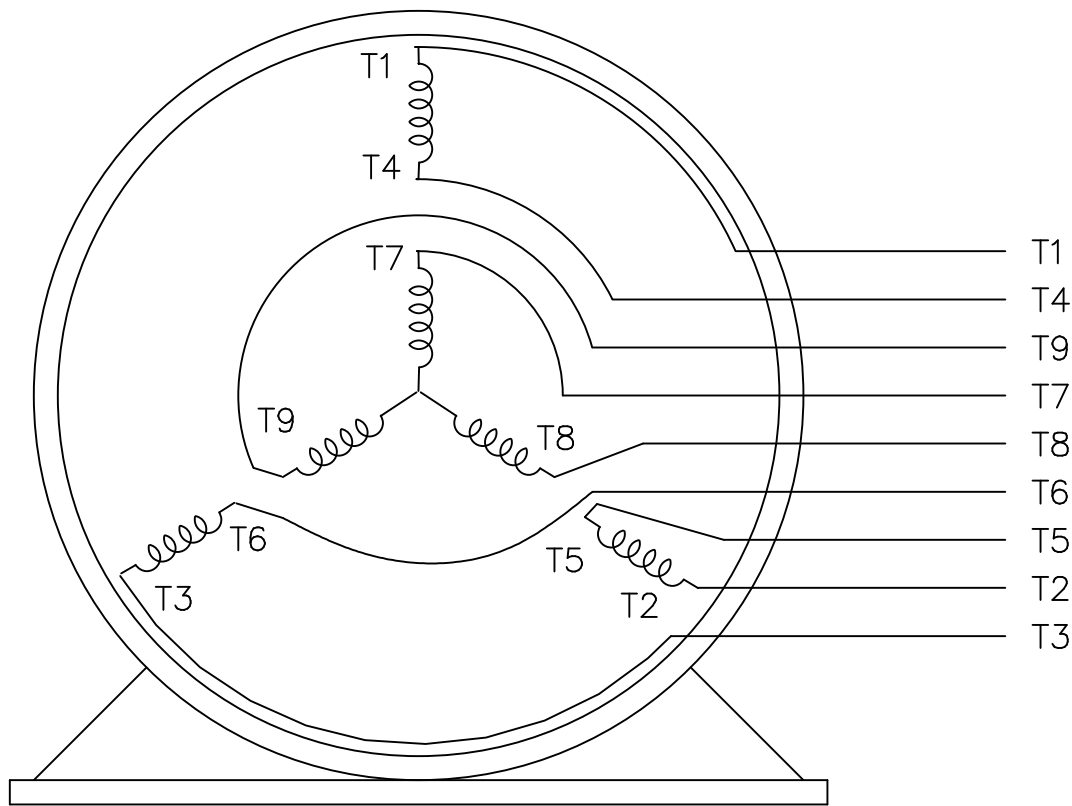
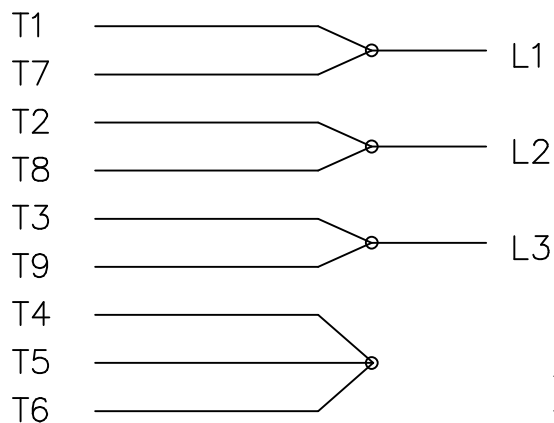
SIZE B DRAWING NUMBER **SS321103LN** SHEET 1 OF 1

THREE PHASE
DUAL VOLTAGE MOTOR

HIGH VOLTAGE



LOW VOLTAGE



VIEW OF TERMINAL END

REF.
WINDING DIAGRAM

T8Y, T2Y, T2BL, T4BX, T2EC, T2G
T6BZ, T2B, T6BL, T4AV, T6B, T4B

OPTIONAL CORD
CONNECTION

L1 — WHITE —
L2 — RED —
L3 — BLACK —

NO.	REVISION	BY & DATE	CHK	TOLERANCES UNLESS SPECIFIED		FINISH	DRAWN	ML	GK	SCALE	PAGE	OF	REV.
				DEC.	INCHES								
				.X	±.1		BLR	ML	GK	1=1			
3	ADDED THE OPTIONAL CORD CONNECTION MU46318	RDH 04/24/2003	DRS	.XX	±.02	TITLE CONNECTION DIAGRAM							
2	RE-ISSUE, ADDED '-' TO PART NUMBER	BLR 08/09/1999	GK	.XXX	±.005	3∅ - DUAL VOLTAGE MOTOR							
1	NEW DRAWING	BLR 06/18/1999	GK	.XXXX	±.0005	MAT'L.							
				ANG	±7'30"								
			RFP			CAD FILE EE7308LN	SIZE	DRAWING NO.	PAGE	OF			
			DIST	WP			A	EE7308-LN					3



DRAWN BLR 06/11/1999
CHK ML 06/18/1999
APPD GK 06/18/1999



1051 CHEYENNE AVE.
GRAFTON, WI 53024
PH. 262-277-8810

DATA VOLTS: 460

CERTIFICATION DATA SHEET

CONN. DIAGRAM: A-EE7308-LN
OUTLINE: B-SS321103LN-1375
WINDING: K256847

CAT #: LM32839

R2 2

TYPICAL MOTOR PERFORMANCE DATA

HP	KW	SYNC RPM	FL RPM	FRAME	ENCLOSURE	TYPE	KVA CODE	DESIGN
7.5	5.6	900	872	256TC	TEFC	TFY	G	B

PH	HZ	VOLTS	AMPS	START TYPE	DUTY	INSL	S.F.	AMB	ELEV.
3	60	230/460	23/11.5	ACROSS THE LINE	CONT	F	1.15	40	3300

F.L. EFF	86.5	3/4 LD EFF	85.5	1/2 LD EFF	84.0	GTD EFF	ELECT. TYPE
F.L. PF	70.0	3/4 LD PF	62.5	1/2 LD PF	50.0	84.0	SQ CAGE IND RUN

F.L. TORQUE	LR AMPS @ 460 V	L.R. TORQUE	B.D. TORQUE	F.L. RISE (° C)
45.2 LB-FT	58.0	90.0 LB-FT 199%	105 LB-FT 232%	60

PRESSURE @ 3	SOUND	POWER	ROTOR WK²	MAX. LOAD WK²	SAFE STALL TIME	STARTS/HOUR	MOTOR WGT
55 dBA	64 dBA		2.80 LB-FT²	0 LB-FT²	20 SEC.	0	415 LB.

***** SUPPLEMENTAL INFORMATION *****

DE BRACKET TYPE	ODE BRACKET TYPE	MOUNT TYPE	MOTOR ORIENTATION	SEVERE DUTY	HAZARDOUS LOCATION	DRIP COVER	SCREENS	PAINT
C-FACE	STANDARD	RIGID	HORIZONTAL	NO	NONE	NO	NONE	WATTSAVER

BEARINGS		GREASE	SHAFT TYPE	SPECIAL DE	SPECIAL ODE	SHAFT MATERIAL	FRAME MATERIAL
DE	ODE	POLYREX EM	T	NONE	NONE	1045 HOT ROLLED (C-204)	ALUMINUM
BALL	BALL						
6309	6208						

THERMOSTATS	PROTECTORS	WDG RTD's	BRG RTD's	THERMISTORS	CONTROL	SPACE HEATERS
NONE	NOT	NONE	NONE	NONE	FALSE	NA

R1 (ohms/ph)	R2 (ohms/ph)	X1 (ohms/ph)	X2 (ohms/ph)	Xm (ohms/ph)	VIBRATION (in/sec)	FLOAT
0	0	0	0	0	0.150	ODE

* N O T E S *	INVERTER TORQUE: NONE INV. HP SPEED RANGE: NONE					
	ENCODER: NONE NONE NONE					
	BRAKE: NONE NONE NONE					
	FT-LB: NA VOLTAGE: NONE					
	UL: V-INS, CONST UL REC					

DATE: 9/11/2018

BRAKE: NONE
NONE
NONE
FT-LB: NA
VOLTAGE: NONE
HZ:
UL: V-INS, CONST UL REC

Data Sheet

Date: 9/11/2018

LM32839



Data @ **460 V**

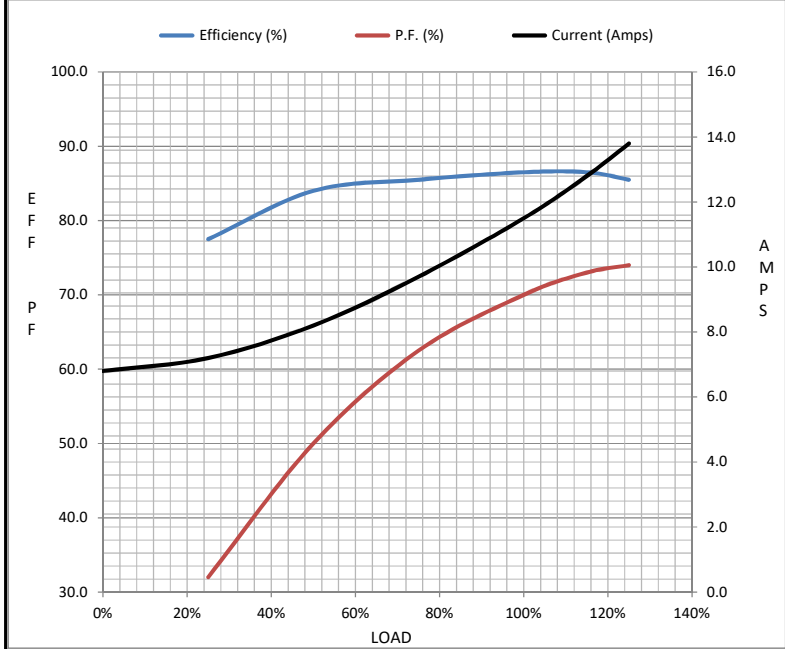
Motor Load Data

Load	0%	25%	50%	75%	100%	115%	125%	LR
Current (Amps)	6.8	7.2	8.2	9.7	11.5	12.8	13.8	58.0
Torque (ft-lb)	0.00	11.0	22.2	33.6	45.2	52.5	57.0	90.0
RPM	900	892	885	880	872	865	862	0
Efficiency (%)		77.5	84.0	85.5	86.5	86.5	85.5	
P.F. (%)	6.5	32.0	50.0	62.5	70.0	73.0	74.0	45.0

Motor Speed Data

	LR	Pull-Up	BD	Rated	Idle
Speed (RPM)	0	350	750	872	900
Current (Amps)	58.0	52.0	35.0	11.5	6.8
Torque (ft-lb)	90.0	82.0	105	45.2	0.00

Information Block				
HP	7.5			
Sync. RPM	900			
Frame	256			
Enclosure	TEFC			
Construction	TFY			
Voltage	230/460 V			
Frequency	60 Hz			
Design	B			
LR Code letter	G			
Service Factor	1.15			
Temp Rise @ FL	60 ° C			
Duty	CONT			
Ambient	40 ° C			
Elevation	1,000 feet			
Rotor/Shaft wk ²	2.80 Lb-Ft ²			
Ref Wdg	K256847 R2			
Sound Pressure @ 1M	55 dBA			
VFD Rating	NONE			
Outline Dwg	B-SS321103LN-1375			
Conn. Diag	A-EE7308-LN			
Additional Specifications:				
0				
0				
EQUIV CKT (OHMS / PHASE)				
R1	R2	X1	X2	Xm
0.0000	0.0000	0.0000	0.0000	0.0000



Speed - Torque Curve

