

# PRODUCT INFORMATION PACKET



Model No: LM32836

Catalog No: LM32836

General Purpose Motor, 5 HP, 3 Ph, 60 Hz, 230/460 V, 900 RPM, 254TC Frame, TEFC



Regal and Leeson are trademarks of Regal Rexnord Corporation or one of its affiliated companies.  
©2022 Regal Rexnord Corporation, All Rights Reserved. MC017097E





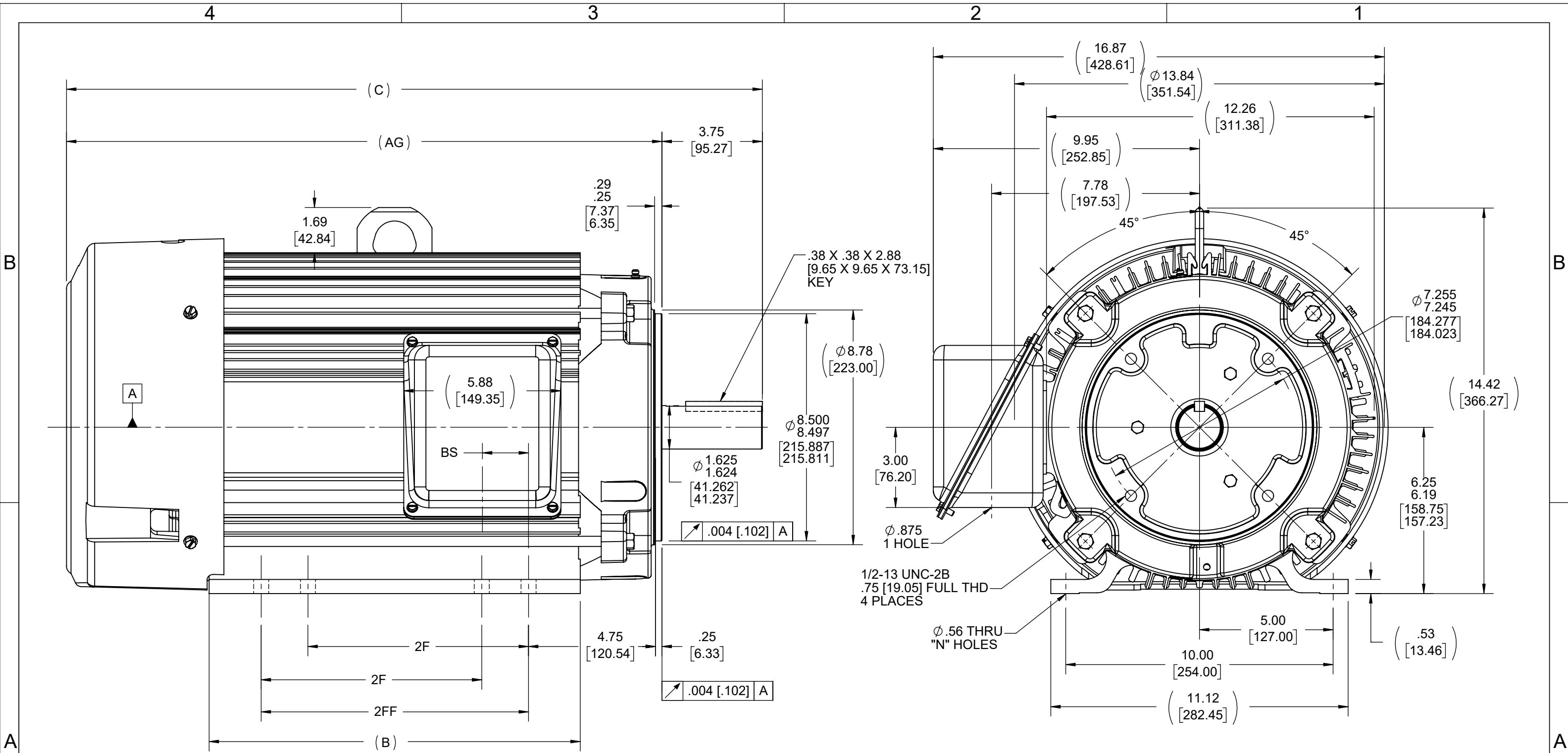
**Nameplate Specifications**

Output HP	<b>5 Hp</b>	Output KW	<b>3.7 kW</b>
Frequency	<b>60 Hz</b>	Voltage	<b>230/460 V</b>
Current	<b>15.0/7.5 A</b>	Speed	<b>875 rpm</b>
Service Factor	<b>1.15</b>	Phase	<b>3</b>
Efficiency	<b>87.5 %</b>	Power Factor	<b>73</b>
Duty	<b>Continuous</b>	Insulation Class	<b>F</b>
Design Code	<b>B</b>	KVA Code	<b>F</b>
Frame	<b>254TC</b>	Enclosure	<b>Totally Enclosed Fan Cooled</b>
Thermal Protection	<b>No Protection</b>	Ambient Temperature	<b>40 °C</b>
Drive End Bearing Size	<b>6309</b>	Opp Drive End Bearing Size	<b>6208</b>
UL	<b>Recognized</b>	CSA	<b>Y</b>
CE	<b>Y</b>	IP Code	<b>43</b>
Number of Speeds	<b>1</b>		

**Technical Specifications**

Electrical Type	<b>Squirrel Cage Inverter Rated</b>	Starting Method	<b>Line Or Inverter</b>
Poles	<b>8</b>	Rotation	<b>Reversible</b>
Resistance Main	<b>2.65 Ohms</b>	Mounting	<b>Rigid Base</b>
Motor Orientation	<b>Horizontal</b>	Drive End Bearing	<b>Ball</b>
Opp Drive End Bearing	<b>Ball</b>	Frame Material	<b>Aluminum</b>
Shaft Type	<b>T</b>	Overall Length	<b>24.00 in</b>
Frame Length	<b>12.00 in</b>	Shaft Diameter	<b>1.625 in</b>
Shaft Extension	<b>4 in</b>	Assembly/Box Mounting	<b>F1 ONLY</b>
Inverter Load	<b>VARIABLE 10:1</b>		
Outline Drawing	<b>SS321103LN-1200</b>	Connection Drawing	<b>EE7308-LN</b>





- NOTES:  
 1. CONDUIT BOX CAN BE ROTATED IN 90° STEPS  
 2. NAMEPLATES TO BE READ FROM CONDUIT BOX SIDE OF MOTOR

DASH	FRAME	C	B	BS	2F	2FF	AG	N
1200	254TC	24.28 [616.71]	12.13 [308.10]	1.73 [43.94]	8.25 [209.55]	-----	20.53 [521.46]	4
1375	254/6TC	26.03 [661.16]	13.88 [352.55]	1.73 [43.94]	8.25 [209.55]	10.00 [254.00]	22.28 [565.91]	8

DRAWING REVISION B	REVISION BY JVD	DATE 05/27/2021
ECO CR-0002792	APPROVED BY AS	DATE 05/27/2021
ECO DESCRIPTION REPLACED FAN GUARD 3C223-E3 TO 205016B		
<small>COPYRIGHT REGAL BELOIT AMERICA, INC. ALL RIGHTS RESERVED.          PROPRIETARY AND CONFIDENTIAL INFORMATION - THIS DOCUMENT IS THE PROPERTY OF          REGAL BELOIT AMERICA, INC. ("OWNER") AND CONTAINS OWNER'S PROPRIETARY          INFORMATION. ANY PERSON, CORPORATION OR OTHER FIRM RECEIVING IT IS DEEMED,          BY RECEIVING IT, TO AGREE THAT IT, AND/OR ANY PART OF IT, SHALL NOT BE DISCLOSED          TO ANY PERSON, CORPORATION OR OTHER ENTITY, DUPLICATED, AND/OR USED, EXCEPT          AS EXPRESSLY APPROVED IN WRITING IN ADVANCE BY OWNER. THIS DOCUMENT SHALL          BE RETURNED TO OWNER UPON REQUEST. IT MAY BE SUBJECT TO CERTAIN          RESTRICTIONS UNDER APPLICABLE EXPORT CONTROL LAWS AND REGULATIONS.</small>		

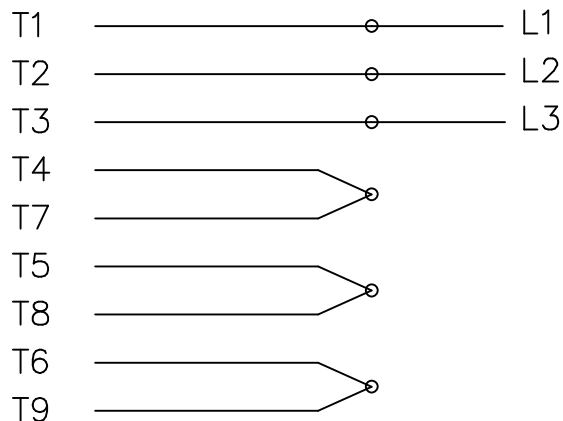
TOLERANCES UNLESS OTHERWISE SPECIFIED:  
 DEC. INCH mm ANGLE  
 .X ±0.1 [±2.5] ±7° 30"  
 .XX ±0.03 [±0.76]  
 .XXX ±0.005 [±0.127]  
 .XXXX ±0.0005 [±0.0127]  
 REMOVE BURRS & BREAK SHARP  
 EDGES: .003/.015 [0.076/.381] X 45°  
 CORNER FILLETS: R.02 [0.51]  
 MACHINED SURFACES: 200 INCH mm 5.1  
 mm SHOWN IN [BRACKETS]

DRAWN BY  
CTO  
 DATE  
05-11-2004  
 APPROVED BY  
TB  
 DATE  
05-11-2004  
 REFERENCE  
 THIRD ANGLE PROJECTION

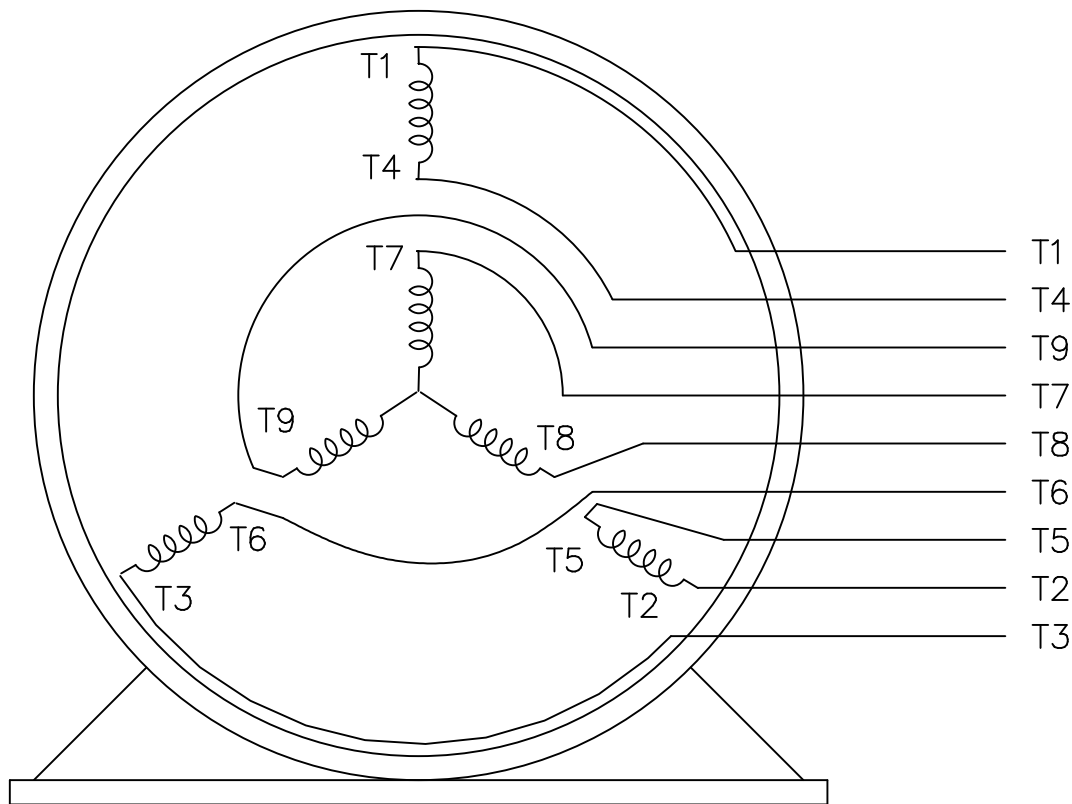
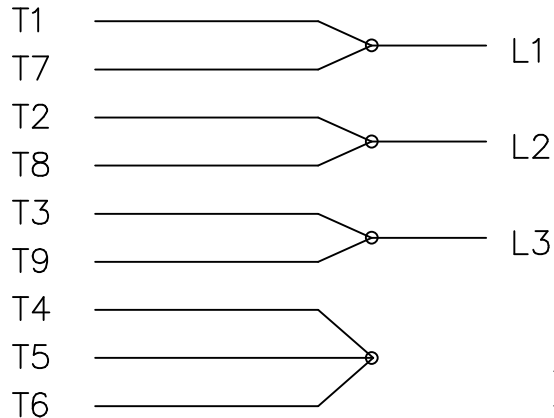
**REGAL**™ Regal Beloit America, Inc.  
 DESCRIPTION  
**OUTLINE**  
 250TC FR - ALUM FR - TEFC  
 MATERIAL PROCESS/FINISH  
 SIZE DRAWING NUMBER SHEET  
**B** SS321103LN 1 OF 1

THREE PHASE  
DUAL VOLTAGE MOTOR

HIGH VOLTAGE



LOW VOLTAGE



VIEW OF TERMINAL END

REF.  
WINDING DIAGRAM

T8Y, T2Y, T2BL, T4BX, T2EC, T2G  
T6BZ, T2B, T6BL, T4AV, T6B, T4B

OPTIONAL CORD  
CONNECTION

L1 — WHITE —  
L2 — RED —  
L3 — BLACK —

NO.	REVISION	BY & DATE	CHK	TOLERANCES UNLESS SPECIFIED		FINISH	DRAWN	DATE			
				DEC.	INCHES						
				.X	±.1		BLR	06/11/1999			
							ML	06/18/1999			
							GK	06/18/1999			
3	ADDED THE OPTIONAL CORD CONNECTION MU46318	RDH 04/24/2003	DRS	.XX	±.02	TITLE CONNECTION DIAGRAM		SCALE 1=1			
2	RE-ISSUE, ADDED '-' TO PART NUMBER	BLR 08/09/1999	GK	.XXX	±.005	3∅ - DUAL VOLTAGE MOTOR		REF			
1	NEW DRAWING	BLR 06/18/1999	GK	.XXXX	±.0005	MAT'L.		FMF			
				ANG	±7'30"			PREV			
				RFP	CAD FILE EE7308LN			SIZE A	DRAWING NO. EE7308-LN	PAGE OF 3	REV. 3
				DIST WP							



THIS DRAWING IN DESIGN AND DETAIL IS OUR PROPERTY AND MUST NOT BE USED EXCEPT IN CONNECTION WITH OUR WORK ALL RIGHTS OF DESIGN AND INVENTION ARE RESERVED THIS IS AN ELECTRONICALLY GENERATED DOCUMENT - DO NOT SCALE THIS PRINT



**2100 WASHINGTON ST.  
GRAFTON, WI  
PH. 262-277-8810**

**CERTIFICATION DATA SHEET**

**CONN. DIAGRAM:** A-EE7308-LN

CATALOG #: LM32836

**OUTLINE:** B-SS321103LN-1200

**WINDING #:** K254828 R4 1

**MOUNTING:** F1 ONLY

**TYPICAL MOTOR PERFORMANCE DATA**

HP	kW	SYNC. RPM	F.L. RPM	FRAME	ENCLOSURE	KVA CODE	DESIGN
5	3.70	900	875	254TC	TEFC	F	B

PH	Hz	VOLTS	AMPS	START TYPE	DUTY	INSL	S.F.	AMB°C
3	60	230/460	15/7.5	LINE OR INVERTER	CONTINUOUS	F3	1.15	40

FULL LOAD EFF:	87.5	3/4 LOAD EFF:	85.5	1/2 LOAD EFF:	84	GTD. EFF		ELEC. TYPE	
FULL LOAD PF:	73	3/4 LOAD PF:	66	1/2 LOAD PF:	54	85.5		SQ CAGE INV RATED	

F.L. TORQUE	LOCKED ROTOR AMPS	L.R. TORQUE	B.D. TORQUE	F.L. RISE°C
30 LB-FT	64 / 32	41.5 LB-FT 138 %	64 LB-FT 213 %	40

SOUND PRESSURE @ 3 FT.	SOUND POWER	ROTOR WK^2	MAX. WK^2	SAFE STALL TIME	STARTS / HOUR	APPROX. MOTOR WGT
55 dBA	65 dBA	2.4 LB-FT^2	- LB-FT^2	20 SEC.	-	325 LBS.

**\*\*\* SUPPLEMENTAL INFORMATION \*\*\***

DE BRACKET TYPE	ODE BRACKET TYPE	MOUNT TYPE	ORIENTATION	SEVERE DUTY	HAZARDOUS LOCATION	DRIP COVER	SCREENS	PAINT
C-FACE	STANDARD	RIGID	HORIZONTAL	FALSE	NONE	FALSE	NONE	GRAY - LINCOLN

BEARINGS		GREASE	SHAFT TYPE	SPECIAL DE	SPECIAL ODE	SHAFT MATERIAL	FRAME MATERIAL
DE	ODE						
BALL	BALL	POLYREX EM	T	NONE	NONE	VERIFY	ALUMINUM
6309	6208						

THERMO-PROTECTORS				THERMISTORS	CONTROL	SPACE HEATERS
THERMOSTATS	PROTECTORS	WDG RTDs	BRG RTDs			
NONE	NOT	NONE	NONE	NONE	FALSE	NONE VOLTS

\*  
N  
O  
T  
E  
S  
\*

<b>INVERTER TORQUE:</b> VARIABLE 10:1
<b>INV. HP SPEED RANGE:</b> NONE
<b>ENCODER:</b> NONE NONE NONE NONE NONE PPR
<b>BRAKE:</b> NONE NONE NONE P/N NONE NONE NONE FT-LB NONE V NONE Hz

Data Sheet

Date: 1/24/2018

LM32836



Data @ **460 V**

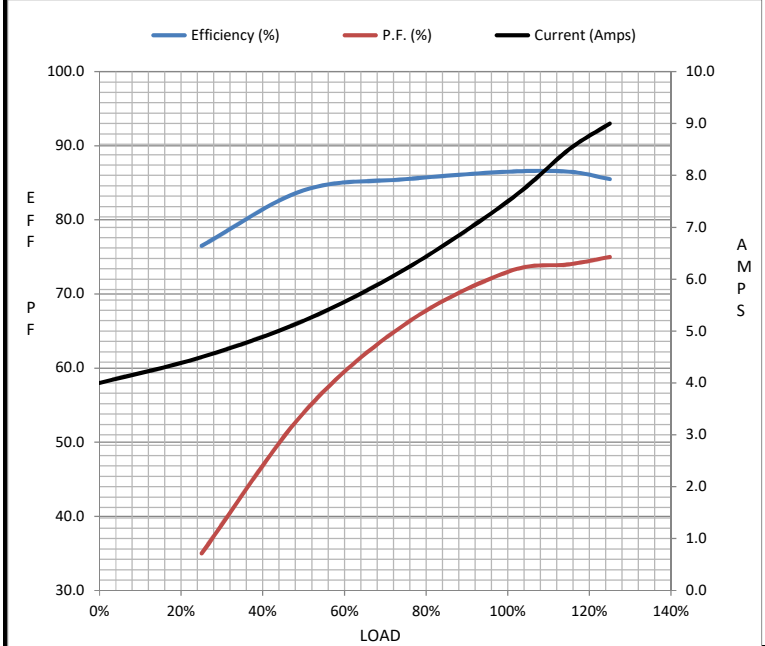
Motor Load Data

Load	0%	25%	50%	75%	100%	115%	125%	LR
Current (Amps)	4.0	4.5	5.2	6.2	7.5	8.5	9.0	32.0
Torque (ft-lb)	0.00	7.5	15.0	22.5	30.0	35.0	38.0	41.5
RPM	900	895	885	880	875	870	865	0
Efficiency (%)		76.5	84.0	85.5	86.5	86.5	85.5	
P.F. (%)	8.5	35.0	54.0	66.0	73.0	74.0	75.0	0.0

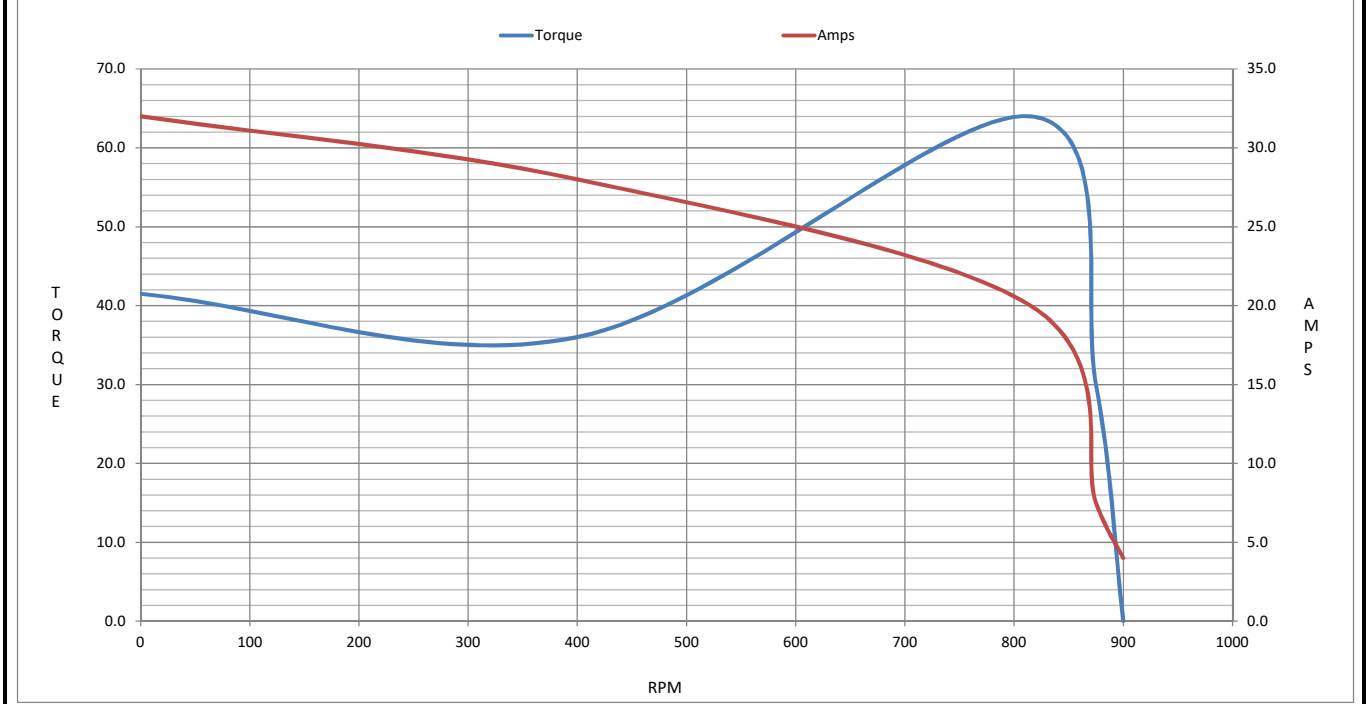
Motor Speed Data

	LR	Pull-Up	BD	Rated	Idle
Speed (RPM)	0	400	815	875	900
Current (Amps)	32.0	28.0	20.0	7.5	4.0
Torque (ft-lb)	41.5	36.0	64.0	30.0	0.00

Information Block				
HP	5.0			
Sync. RPM	900			
Frame	254			
Enclosure	TEFC			
Construction	TFY			
Voltage	230/460 V			
Frequency	60 Hz			
Design	B			
LR Code letter	F			
Service Factor	1.15			
Temp Rise @ FL	40 °C			
Duty	CONT			
Ambient	40 °C			
Elevation	1,000 feet			
Rotor/Shaft wk <sup>2</sup>	2.40 Lb-Ft <sup>2</sup>			
Ref Wdg	K254828 R4			
Sound Pressure @ 1M	55 dBA			
VFD Rating	VARIABLE 10:1			
Outline Dwg	B-SS321103LN-1200			
Conn. Diag	A-EE7308-LN			
Additional Specifications:				
0				
0				
EQUIV CKT (OHMS / PHASE)				
R1	R2	X1	X2	Xm
1.4710	1.1420	5.2820	5.7370	61.9120



Speed - Torque Curve



## EC Declaration of Conformity

The undersigned representing  
the manufacturer:

Regal Beloit America  
100 East Randolph St.  
Wausau, WI 54401

and the authorized representative  
established within the Community:

Marathon Electric UK  
6F Thistleton Road Ind. Estate  
Market Overton  
Oakham, Rutland LE15 7PP UK

are committed to providing customers with products that comply with applicable regulations and international protocols to which they are subject, including the requirements of the European Parliament Directive on the Harmonization of the laws relating to electrical equipment designed for use within certain voltage limits (2014/35/EU).

Regal Beloit America declares that the following product(s), to which this declaration relates, are in conformity with the relevant sections of the EC standards listed below.

This statement supersedes any statements previously issued pertaining to the product(s) listed below and is subject to change without notice.

Model No : LM32836

(Model No. may contain prefix and/or suffix characters)

Catalog No : LM32836

Rework No : N/A

Directives :

Low Voltage Directive 2014/35/EU

Harmonized Standards Used :

EN 60034-1: 2010 (IEC 60034-1: 2010)

EN 60034-5: 2001/A1:2007 (IEC 60034-5: 2000/A1:2006)

Authorized Representative:



Michael A. Logsdon  
Vice President, Technology

Authorized Representative in the Community:



Julian Clark  
Marketing Engineer

Created on 09/01/2022

**CE 22**