

PRODUCT INFORMATION PACKET



Model No: LM32803
Catalog No: LM32803

General Purpose Motor, 5 HP, 3 Ph, 60 Hz, 230/460 V, 900 RPM, 254T Frame, TEFC



Regal and Leeson are trademarks of Regal Rexnord Corporation or one of its affiliated companies.
©2022 Regal Rexnord Corporation, All Rights Reserved. MC017097E



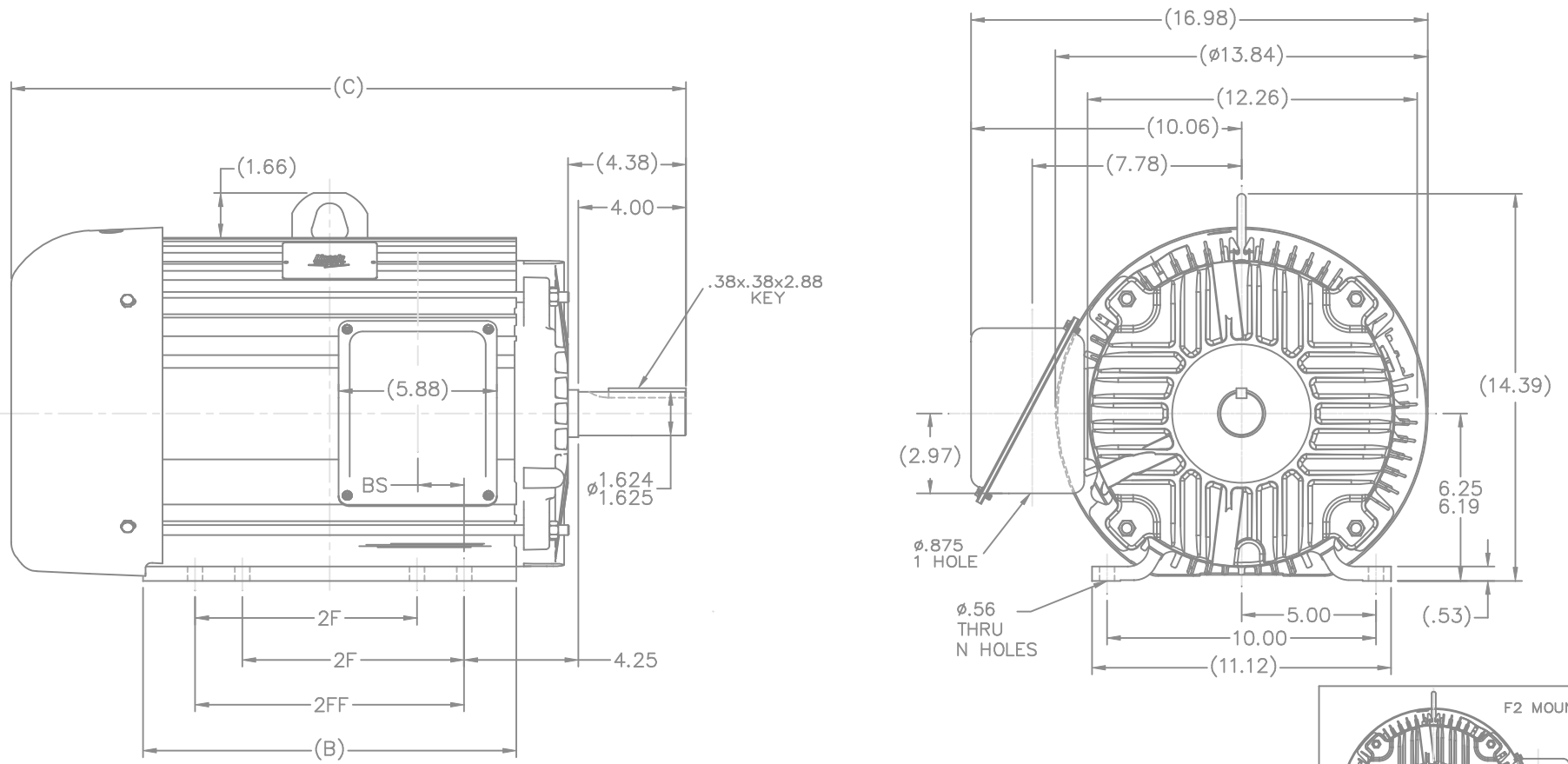


Nameplate Specifications

Output HP	5 Hp	Output KW	3.7 kW
Frequency	60 Hz	Voltage	230/460 V
Current	15.0/7.5 A	Speed	875 rpm
Service Factor	1.15	Phase	3
Efficiency	87.5 %	Power Factor	73
Duty	Continuous	Insulation Class	F
Design Code	B	KVA Code	F
Frame	254T	Enclosure	Totally Enclosed Fan Cooled
Thermal Protection	No Protection	Ambient Temperature	40 °C
Drive End Bearing Size	309	Opp Drive End Bearing Size	208
UL	Recognized	CSA	Y
CE	Y	IP Code	43
Number of Speeds	1		

Technical Specifications

Electrical Type	Squirrel Cage Induction Run	Starting Method	Across The Line
Poles	8	Rotation	Reversible
Resistance Main	2.65 Ohms	Mounting	Rigid Base
Motor Orientation	Horizontal	Drive End Bearing	Ball
Opp Drive End Bearing	Ball	Frame Material	Aluminum
Shaft Type	T	Overall Length	23.40 in
Frame Length	12.00 in	Shaft Diameter	1.625 in
Shaft Extension	4 in	Assembly/Box Mounting	F1/F2 CAPABLE
Connection Drawing	EE7308-LN	Outline Drawing	SS321100LN-1200



- NOTES:
 1. CONDUIT BOX CAN BE ROTATED IN 90° STEPS.
 2. NAMEPLATES TO BE READ FROM CONDUIT BOX SIDE OF MOTOR.

DASH	FR.	C	B	BS	2F	2FF	N
1200	254T	23.40	12.13	1.73	8.25	10.00	4
1375	254/6T	25.15	13.88	1.73	8.25	10.00	8

NO.		REVISION	BY & DATE	CHK	ANG	±7'30"	FINISH	PREV
3	B DIM 12.13 WAS 12.00, AND 13.88 WAS 13.75	MJK	05/18/2004					
	CN 29200-3584							
2	25.15 WAS 25.65, 23.40 WAS 23.90 CN 32681	MJK	05/04/2004					
1	(4.38) WAS (4.37), ø1.624/1.625 WAS ø1.624/1.624	MJK	04/29/2004					
	CN 32681							

TOLERANCES UNLESS SPECIFIED		Lincoln MOTORS		DRAWN MJK 03-29-2004	
DEC.	INCHES	CHK	ML 03-29-2004	APPD	JPL 03-29-2004
.X	±.1	SCALE	1=4	REF	
.XX	±.03	TITLE OUTLINE		FMF	
.XXX	±.005	250T FR - ALUM. FR. - TEFC		PREV	
.XXXX	±.0005	MAT'L			
RFP		CAD FILE ss321100ln	SIZE B	DRAWING NO.	PAGE OF
DIST LB				SS321100LN	3

THIS DRAWING IN DESIGN AND DETAIL IS OUR PROPERTY AND MUST NOT BE USED EXCEPT IN CONNECTION WITH OUR WORK ALL RIGHTS OF DESIGN AND INVENTION ARE RESERVED THIS IS AN ELECTRONICALLY GENERATED DOCUMENT - DO NOT SCALE THIS PRINT

THREE PHASE
DUAL VOLTAGE MOTOR

HIGH VOLTAGE



LOW VOLTAGE



VIEW OF TERMINAL END

REF.
WINDING DIAGRAM

T8Y, T2Y, T2BL, T4BX, T2EC, T2G
T6BZ, T2B, T6BL, T4AV, T6B, T4B

OPTIONAL CORD
CONNECTION

L1 — WHITE
L2 — RED
L3 — BLACK

NO.	REVISION	BY & DATE	CHK	TOLERANCES UNLESS SPECIFIED		FINISH	DRAWN	DATE	SCALE	REV.
				DEC.	INCHES					
				.X	±.1		BLR	06/11/1999		
							ML	06/18/1999		
							GK	06/18/1999		
3	ADDED THE OPTIONAL CORD CONNECTION MU46318	RDH 04/24/2003	DRS	.XX	±.02	TITLE CONNECTION DIAGRAM			1=1	
2	RE-ISSUE, ADDED '-' TO PART NUMBER	BLR 08/09/1999	GK	.XXX	±.005	3∅ - DUAL VOLTAGE MOTOR				
1	NEW DRAWING	BLR 06/18/1999	GK	.XXXX	±.0005	MAT'L.				
				ANG	±7'30"					
			RFP			CAD FILE EE7308LN	SIZE	DRAWING NO.	PAGE	OF
			DIST	WP			A	EE7308-LN		3





**2100 WASHINGTON ST.
GRAFTON, WI
PH. 262-277-8810**

CERTIFICATION DATA SHEET

CONN. DIAGRAM: A-EE7308-LN

CATALOG #: LM32803

OUTLINE: B-SS321100LN-1200

WINDING #: K254828 R4 1

MOUNTING: F1/F2 CAPABLE

TYPICAL MOTOR PERFORMANCE DATA

HP	kW	SYNC. RPM	F.L. RPM	FRAME	ENCLOSURE	KVA CODE	DESIGN
5	3.70	900	875	254T	TEFC	F	B

PH	Hz	VOLTS	AMPS	START TYPE	DUTY	INSL	S.F.	AMB°C
3	60	230/460	15/7.5	ACROSS THE LINE	CONTINUOUS	F3	1.15	40

FULL LOAD EFF:	87.5	3/4 LOAD EFF:	85.5	1/2 LOAD EFF:	84	GTD. EFF	ELEC. TYPE
FULL LOAD PF:	73	3/4 LOAD PF:	66	1/2 LOAD PF:	54	85.5	SQ CAGE IND RUN

F.L. TORQUE	LOCKED ROTOR AMPS	L.R. TORQUE	B.D. TORQUE	F.L. RISE°C
30 LB-FT	64 / 32	41.5 LB-FT 138 %	64 LB-FT 213 %	40

SOUND PRESSURE @ 3 FT.	SOUND POWER	ROTOR WK^2	MAX. WK^2	SAFE STALL TIME	STARTS / HOUR	APPROX. MOTOR WGT
55 dBA	65 dBA	2.4 LB-FT^2	- LB-FT^2	20 SEC.	-	325 LBS.

***** SUPPLEMENTAL INFORMATION *****

DE BRACKET TYPE	ODE BRACKET TYPE	MOUNT TYPE	ORIENTATION	SEVERE DUTY	HAZARDOUS LOCATION	DRIP COVER	SCREENS	PAINT
STANDARD	STANDARD	RIGID	HORIZONTAL	FALSE	NONE	FALSE	NONE	GRAY - LINCOLN

BEARINGS		GREASE	SHAFT TYPE	SPECIAL DE	SPECIAL ODE	SHAFT MATERIAL	FRAME MATERIAL
DE	ODE						
BALL	BALL	POLYREX EM	T	NONE	NONE	1045 HOT ROLLED (C-204)	ALUMINUM
309	208						

THERMO-PROTECTORS				THERMISTORS	CONTROL	SPACE HEATERS
THERMOSTATS	PROTECTORS	WDG RTDs	BRG RTDs			
NONE	NOT	NONE	NONE	NONE	FALSE	NONE VOLTS

*
N
O
T
E
S
*

INVERTER TORQUE: NONE
INV. HP SPEED RANGE: NONE
ENCODER: NONE NONE NONE NONE NONE PPR
BRAKE: NONE NONE NONE P/N NONE NONE NONE FT-LB V NONE Hz

Data Sheet

Date: 1/24/2018

LM32803



Data @ 460 V

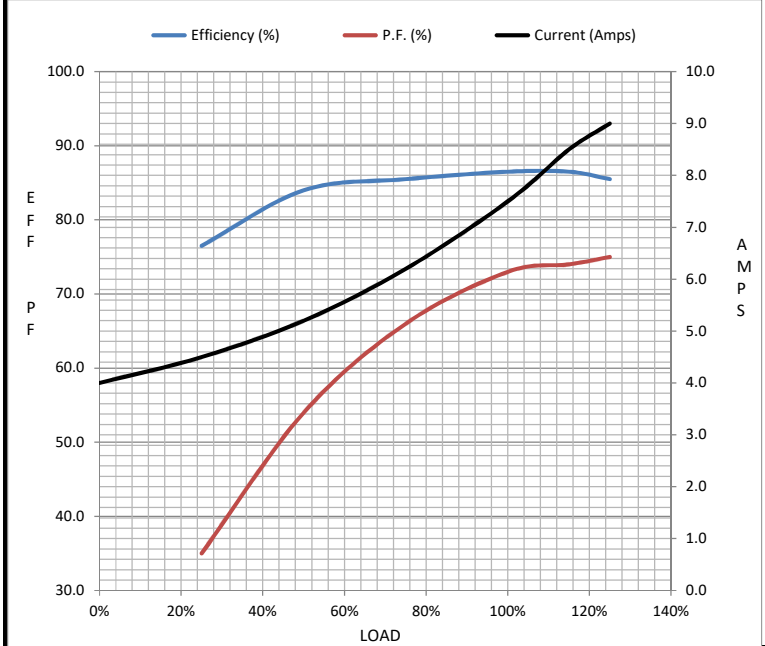
Motor Load Data

Load	0%	25%	50%	75%	100%	115%	125%	LR
Current (Amps)	4.0	4.5	5.2	6.2	7.5	8.5	9.0	32.0
Torque (ft-lb)	0.00	7.5	15.0	22.5	30.0	35.0	38.0	41.5
RPM	900	895	885	880	875	870	865	0
Efficiency (%)		76.5	84.0	85.5	86.5	86.5	85.5	
P.F. (%)	8.5	35.0	54.0	66.0	73.0	74.0	75.0	0.0

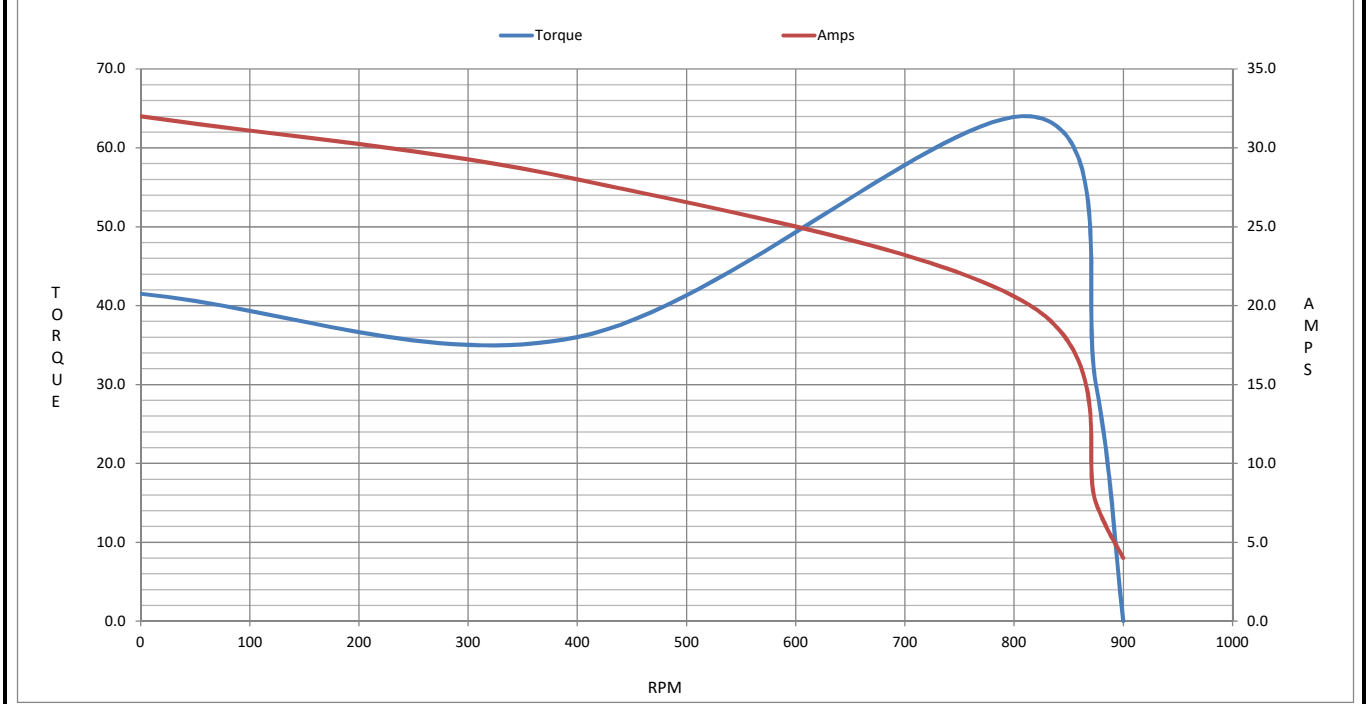
Motor Speed Data

	LR	Pull-Up	BD	Rated	Idle
Speed (RPM)	0	400	815	875	900
Current (Amps)	32.0	28.0	20.0	7.5	4.0
Torque (ft-lb)	41.5	36.0	64.0	30.0	0.00

Information Block				
HP	5.0			
Sync. RPM	900			
Frame	254			
Enclosure	TEFC			
Construction	TFY			
Voltage	230/460 V			
Frequency	60 Hz			
Design	B			
LR Code letter	F			
Service Factor	1.15			
Temp Rise @ FL	40 °C			
Duty	CONT			
Ambient	40 °C			
Elevation	1,000 feet			
Rotor/Shaft wk ²	2.40 Lb-Ft ²			
Ref Wdg	K254828 R4			
Sound Pressure @ 1M	55 dBA			
VFD Rating	NONE			
Outline Dwg	B-SS321100LN-1200			
Conn. Diag	A-EE7308-LN			
Additional Specifications:				
0				
0				
EQUIV CKT (OHMS / PHASE)				
R1	R2	X1	X2	Xm
1.4710	1.1420	5.2820	5.7370	61.9120



Speed - Torque Curve



EC Declaration of Conformity

The undersigned representing
the manufacturer:

Regal Beloit America
100 East Randolph St.
Wausau, WI 54401

and the authorized representative
established within the Community:

Marathon Electric UK
6F Thistleton Road Ind. Estate
Market Overton
Oakham, Rutland LE15 7PP UK

are committed to providing customers with products that comply with applicable regulations and international protocols to which they are subject, including the requirements of the European Parliament Directive on the Harmonization of the laws relating to electrical equipment designed for use within certain voltage limits (2014/35/EU).

Regal Beloit America declares that the following product(s), to which this declaration relates, are in conformity with the relevant sections of the EC standards listed below.

This statement supersedes any statements previously issued pertaining to the product(s) listed below and is subject to change without notice.

Model No : LM32803

(Model No. may contain prefix and/or suffix characters)

Catalog No : LM32803

Rework No : N/A

Directives :

Low Voltage Directive 2014/35/EU

Harmonized Standards Used :

EN 60034-1: 2010 (IEC 60034-1: 2010)

EN 60034-5: 2001/A1:2007 (IEC 60034-5: 2000/A1:2006)

Authorized Representative:



Michael A. Logsdon
Vice President, Technology

Authorized Representative in the Community:



Julian Clark
Marketing Engineer

Created on 09/01/2022

CE 22