

# PRODUCT INFORMATION PACKET



Model No: LM32663

Catalog No: LM32663

Elevator Duty Motor, 50 & 60 HP, 3 Ph, 60 & 60 Hz, 230/460 & 230/460 V, 1800 & 1800 RPM,  
326T Frame, DP



Regal and Leeson are trademarks of Regal Rexnord Corporation or one of its affiliated companies.

©2023 Regal Rexnord Corporation, All Rights Reserved. MC017097E



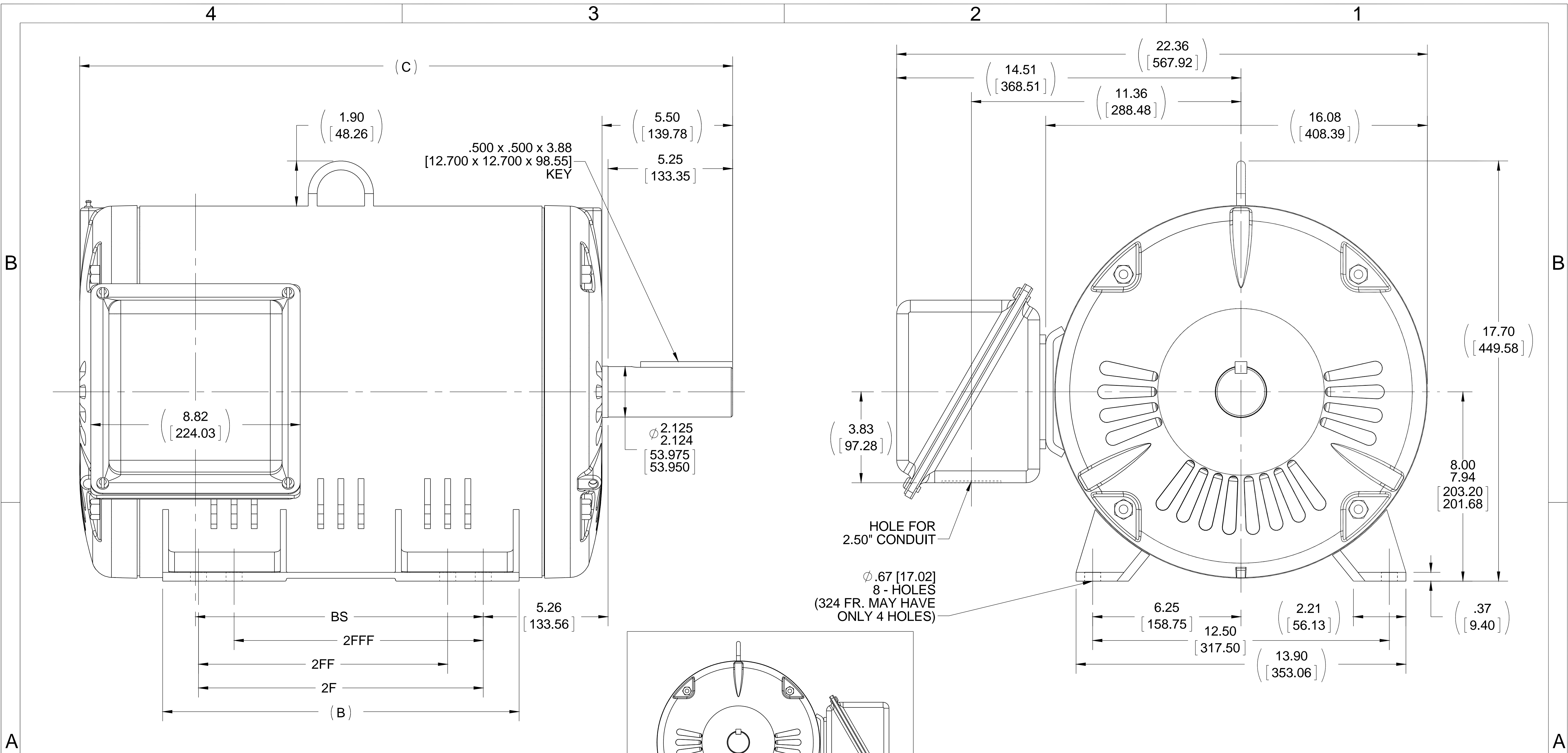


### Nameplate Specifications

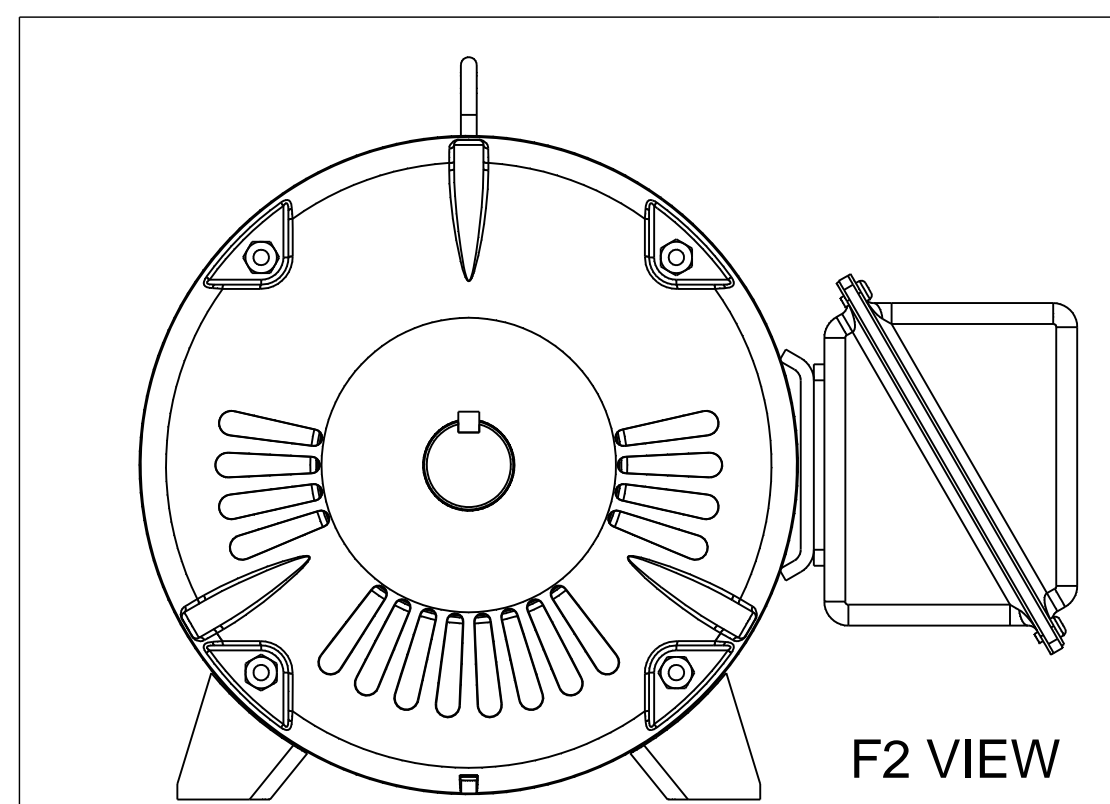
Phase	3	Output HP	50 & 60 Hp
Output KW	37.0 & 45.0 kW	Voltage	230/460 & 230/460 V
Speed	1782 & 1782 rpm	Service Factor	1.0 & 1.0
Frame	326T	Enclosure	Drip Proof
Thermal Protection	No Protection	Efficiency	94.5 & 94.5 %
Ambient Temperature	40 °C	Frequency	60 & 60 Hz
Current	131/65.5 & 151/75.5 A	Power Factor	75.5
Duty	120/80 Starts/Hour	Insulation Class	F
Design Code	INV	KVA Code	G
Drive End Bearing Size	311	Opp Drive End Bearing Size	309
UL	Recognized	CSA	Y
CE	Y	IP Code	22
Number of Speeds	1		

### Technical Specifications

Electrical Type	Squirrel Cage Induction Run	Starting Method	Wye Start Delta Run
Poles	4	Rotation	Reversible
Resistance Main	.105 Ohms	Mounting	Rigid Base
Motor Orientation	Horizontal	Drive End Bearing	Ball
Opp Drive End Bearing	Ball	Frame Material	Rolled Steel
Shaft Type	T	Overall Length	27.51 in
Frame Length	16.57 in	Shaft Diameter	2.125 in
Shaft Extension	5.25 in	Assembly/Box Mounting	F1/F2 CAPABLE
Outline Drawing	XG2D1SS1-1657	Connection Drawing	A-EE7308AA-LN



- NOTES:  
 1. CONDUIT BOX CAN BE ROTATED IN 90° STEPS.  
 2. NAMEPLATE TO BE READ FROM CONDUIT BOX SIDE OF MOTOR.



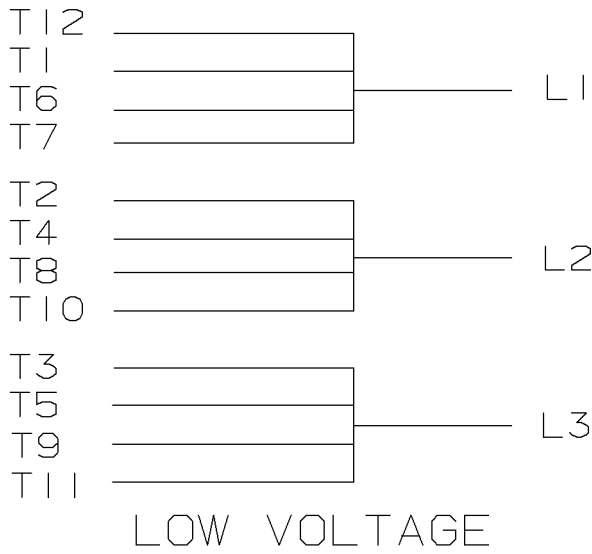
DASH	FRAME	B	C	2F	2FF	2FFF	BS
1507	324T	13.52 [343.41]	26.01 [660.65]	10.50 [266.70]	---	---	10.63 [270.00]
1657	326T	15.02 [381.51]	27.51 [698.75]	12.00 [304.80]	10.50 [266.70]	10.50 [266.70]	12.13 [308.10]

DRAWING REVISION E	REVISION BY T. VUE	DATE 09-22-2016
ECO ECO-0109505	APPROVED BY T. BROWN	DATE 09-22-2016
ECO DESCRIPTION MU124402 / NMR-0106907		
<small>COPYRIGHT REGAL BELOIT AMERICA, INC. ALL RIGHTS RESERVED. PROPRIETARY AND CONFIDENTIAL INFORMATION - THIS DOCUMENT IS THE PROPERTY OF REGAL BELOIT AMERICA, INC. ("OWNER") AND CONTAINS OWNER'S PROPRIETARY INFORMATION. ANY PERSON, CORPORATION OR OTHER FIRM RECEIVING IT IS DEEMED, BY RECEIVING IT, TO AGREE THAT IT, AND/OR ANY PART OF IT, SHALL NOT BE DISCLOSED TO ANY PERSON, CORPORATION OR OTHER ENTITY, DUPLICATED, AND/OR USED, EXCEPT AS EXPRESSLY APPROVED IN WRITING IN ADVANCE BY OWNER. THIS DOCUMENT SHALL BE RETURNED TO OWNER UPON REQUEST. IT MAY BE SUBJECT TO CERTAIN RESTRICTIONS UNDER APPLICABLE EXPORT CONTROL LAWS AND REGULATIONS.</small>		

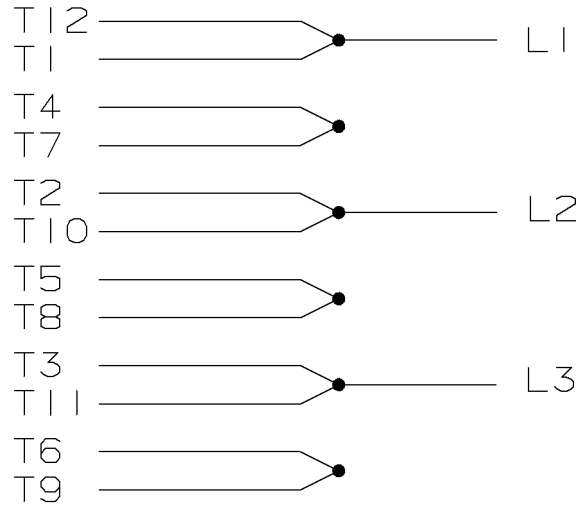
TOLERANCES UNLESS OTHERWISE SPECIFIED:			
DEC.	INCH	mm	ANGLE
.X	±0.1	[±2.5]	±7° 30"
.XX	±0.03	[±0.76]	
.XXX	±0.005	[±0.127]	
.XXXX	±0.0005	[±0.0127]	
REMOVE BURRS & BREAK SHARP EDGES: .003/.015 [0.076/.381]			
CORNER FILLETS: .02 [0.51]			
MACHINED SURFACES: 200 INCH/mm 5.1			
mm SHOWN IN [BRACKETS]			

DRAWN BY TJB
DATE 08-09-2001
APPROVED BY HNH
DATE 08-29-2001
REFERENCE
THIRD ANGLE PROJECTION

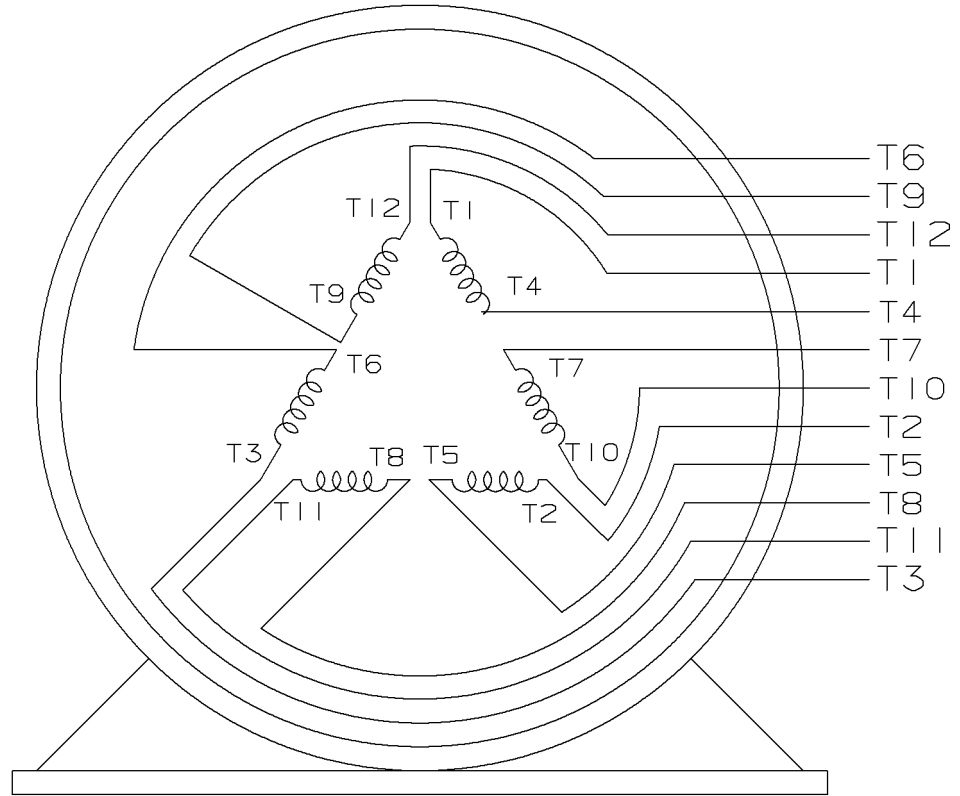
<b>REGAL</b> ™ Regal Beloit America, Inc.	
DESCRIPTION <b>OUTLINE</b> 320T FR. - ODP - UE	
MATERIAL	PROCESS/FINISH
SIZE B	DRAWING NUMBER <b>XG2D1SS1</b>
SHEET 1 OF 1	



LOW VOLTAGE



HIGH VOLTAGE



VIEW OF TERMINAL END

					UNLESS OTHERWISE SPECIFIED DIMENSIONS ARE IN INCHES TOL. ON XX±.02 XXX±.005 XXXX±.0005 ANGLES± 7'30"			
2	08-09-1999	RE-ISSUE, ADDED '-' TO PART NUMBER	BLR		MAX. SURFACE ROUGHNESS UNLESS OTHERWISE NOTED		DRAWN BY TRB 07-16-1999	
1	06-18-1999	NEW DRAWING	TRB	FINISH		CHKD BY ML 06-18-1999		
				MATERIAL		APPD BY GK 06-18-1999		
REV	DATE	CHANGE	NAME	PART NAME 3 PHASE CONNECTION DIAGRAM 2/1 DELTA - 12 LEADS			DRWG NO A- EE7308AA-LN	

PURCHASED

CADD FILE NO.

EE7308AALN

ERROR: undefined  
OFFENDING COMMAND: Pscrip  
  
STACK:



1051 CHEYENNE AVE.  
GRAFTON, WI 53024  
PH. 262-277-8810

DATA VOLTS: 460

**CERTIFICATION DATA SHEET**

CONN. DIAGRAM: A-EE7308AA-LN  
OUTLINE: XG2D1SS1-1657  
WINDING: L3264039

CAT #: LM32663

R1 1

**TYPICAL MOTOR PERFORMANCE DATA**

HP	KW	SYNC RPM	FL RPM	FRAME	ENCLOSURE	TYPE	KVA CODE	DESIGN
50	37	1800	1782	326T	DP	TDR	F	B

PH	HZ	VOLTS	AMPS	START TYPE	DUTY	INSL	S.F.	AMB	ELEV.
3	60/60	230/460#230/460	131/65.5&151/75.5	VVE START DELTA RUN	60 MIN	F	1.15	40	3300

F.L. EFF	94.5	3/4 LD EFF	94.5	1/2 LD EFF	94.1	GTD EFF	ELECT. TYPE
F.L. PF	75.5	3/4 LD PF	70.5	1/2 LD PF	60.0	93.6	SQ CAGE IND RUN

F.L. TORQUE	LR AMPS @ 460 V	L.R. TORQUE	B.D. TORQUE	F.L. RISE (° C)
147 LB-FT	325	300 LB-FT 204%	325 LB-FT 221%	0

PRESSURE @ 3	SOUND	POWER	ROTOR WK²	MAX. LOAD WK²	SAFE STALL TIME	STARTS/HOUR	MOTOR WGT
75 dBA	84 dBA		9.0 LB-FT²	0 LB-FT²	0 SEC.	0	0 LB.

**\*\*\* SUPPLEMENTAL INFORMATION \*\*\***

DE BRACKET TYPE	ODE BRACKET TYPE	MOUNT TYPE	MOTOR ORIENTATION	SEVERE DUTY	HAZARDOUS LOCATION	DRIP COVER	SCREENS	PAINT
STANDARD	STANDARD	RIGID	HORIZONTAL	NO	NONE	NO	NONE	WATTSAVER

BEARINGS		GREASE	SHAFT TYPE	SPECIAL DE	SPECIAL ODE	SHAFT MATERIAL	FRAME MATERIAL
DE	ODE	POLYREX EM	T	NONE	NONE	1045 HOT ROLLED (C-204)	ROLLED STEEL
BALL	BALL						
311	309						

THERMOSTATS	PROTECTORS	WDG RTD's	BRG RTD's	THERMISTORS	CONTROL	SPACE HEATERS
NONE	NOT	NONE	NONE	NONE	FALSE	NA

R1 (ohms/ph)	R2 (ohms/ph)	X1 (ohms/ph)	X2 (ohms/ph)	Xm (ohms/ph)	VIBRATION (in/sec)	FLOAT
0.074	0.045	0.42	0.743	9.185	0.150	ODE

* N O T E S *	INVERTER TORQUE: NONE INV. HP SPEED RANGE: NONE					
	ENCODER: NONE NONE NONE PPR					
	BRAKE: NONE NONE NONE					
	FT-LB: NA VOLTAGE: NONE HZ:					
	UL: V-INS, CONST UL REC					

DATE:	8/21/2018
-------	-----------

Data Sheet

Date: 8/21/2018

LM32663



Data @ **460 V**

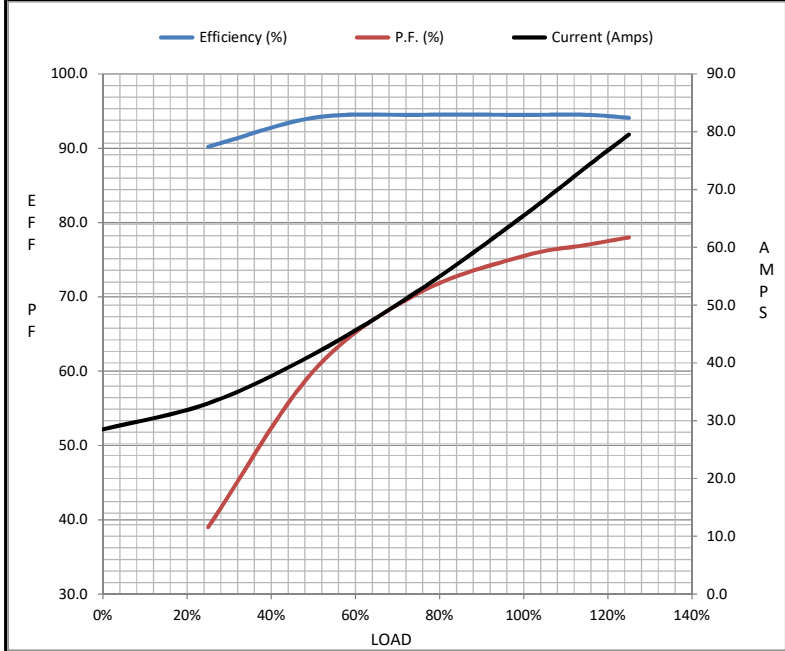
Motor Load Data

Load	0%	25%	50%	75%	100%	115%	125%	LR
Current (Amps)	28.5	33.0	41.5	52.5	65.5	74.0	79.5	325
Torque (ft-lb)	0.00	36.5	73.5	110	147	170	185	300
RPM	1800	1795	1792	1787	1782	1,780	1777	0
Efficiency (%)		90.2	94.1	94.5	94.5	94.5	94.1	
P.F. (%)	3.5	39.0	60.0	70.5	75.5	77.0	78.0	34.0

Motor Speed Data

	LR	Pull-Up	BD	Rated	Idle
Speed (RPM)	0	900	1700	1782	1800
Current (Amps)	325	290	210	65.5	28.5
Torque (ft-lb)	300	275	325	147	0.00

Information Block				
HP	50.0			
Sync. RPM	1800			
Frame	326			
Enclosure	DP			
Construction	TDR			
Voltage	230/460#230/460 V			
Frequency	60 Hz			
Design	B			
LR Code letter	F			
Service Factor	1.15			
Temp Rise @ FL	0 ° C			
Duty	60 MIN			
Ambient	40 ° C			
Elevation	1,000 feet			
Rotor/Shaft wk <sup>2</sup>	9.0 Lb-Ft <sup>2</sup>			
Ref Wdg	L3264039 R1			
Sound Pressure @ 1M	75 dBA			
VFD Rating	NONE			
Outline Dwg	XG2D1SS1-1657			
Conn. Diag	A-EE7308AA-LN			
Additional Specifications:				
0				
0				
EQUIV CKT (OHMS / PHASE)				
R1	R2	X1	X2	Xm
0.0740	0.0450	0.4200	0.7430	9.1850



Speed - Torque Curve

