

PRODUCT INFORMATION PACKET



Model No: LM32251
Catalog No: LM32251
150HP..1800RPM.445T.TEFC.460V.3PH.60HZ.....

Regal and Leeson are trademarks of Regal Rexnord Corporation or one of its affiliated companies.
©2023 Regal Rexnord Corporation, All Rights Reserved. MC017097E





Nameplate Specifications

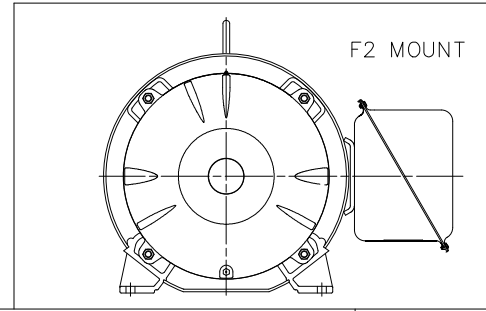
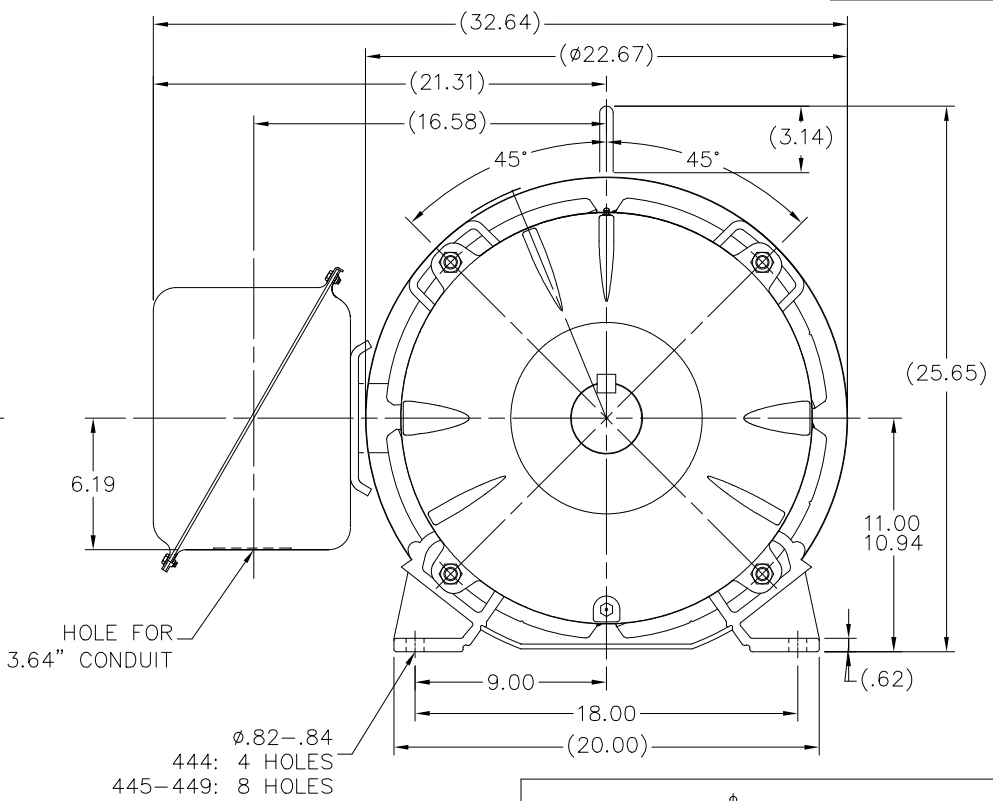
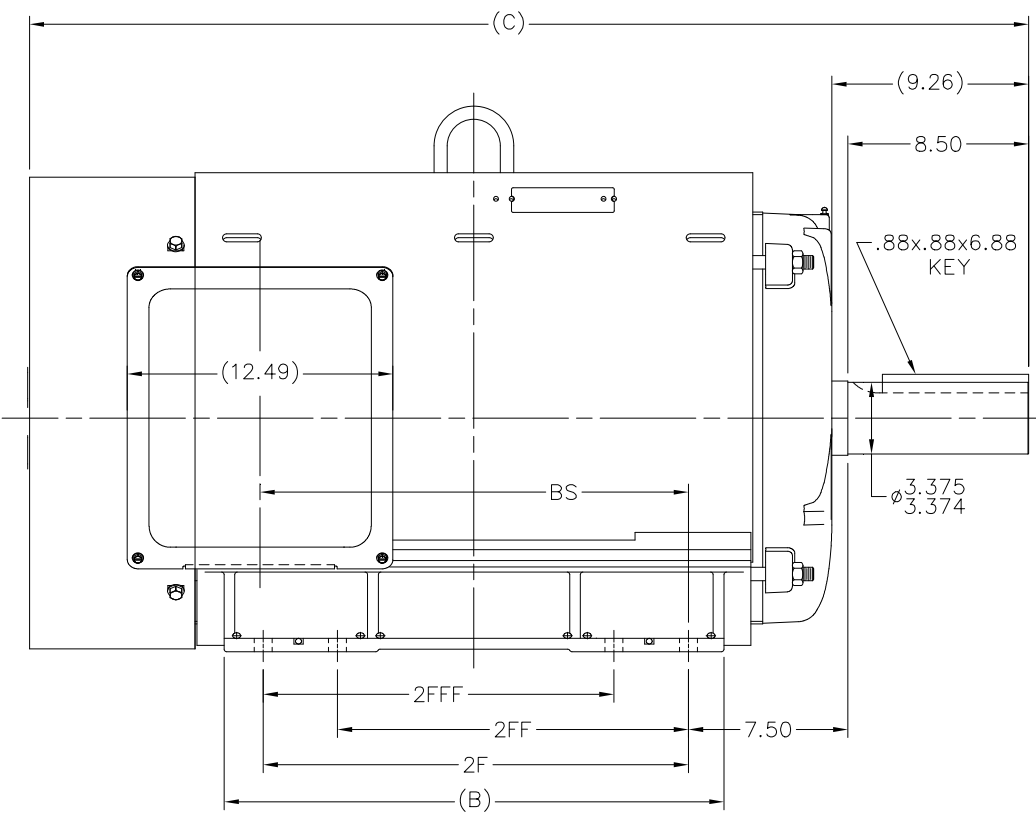
Phase	3	Output HP	150 & 150 Hp
Output KW	112.0 & 112.0 kW	Voltage	460 & 415 V
Speed	1785 & 1485 rpm	Service Factor	1.15 & 1.15
Frame	445T	Enclosure	Totally Enclosed Fan Cooled
Thermal Protection	No Protection	Efficiency	96.2 & 95.4 %
Ambient Temperature	40 °C	Frequency	60 & 50 Hz
Current	168 & 189 A	Power Factor	87
Duty	Continuous	Insulation Class	F
Design Code	BC	KVA Code	G
Drive End Bearing Size	318	Opp Drive End Bearing Size	315
UL	Recognized	CSA	Y
CE	Y	IP Code	43
Number of Speeds	1		

Technical Specifications

Electrical Type	Squirrel Cage Induction Run	Starting Method	Part Wdg Start & Wye Start Delta Run
Poles	4	Rotation	Reversible
Resistance Main	.026 Ohms	Mounting	Rigid Base
Motor Orientation	Horizontal	Drive End Bearing	Ball
Opp Drive End Bearing	Ball	Frame Material	Rolled Steel
Shaft Type	T	Assembly/Box Mounting	F1/F2 CAPABLE
Outline Drawing	XK2F1SS1-2317	Connection Drawing	A-EE7300BH-LN

This is an uncontrolled document once printed or downloaded and is subject to change without notice. Date Created:06/22/2023

XK2F1SS1

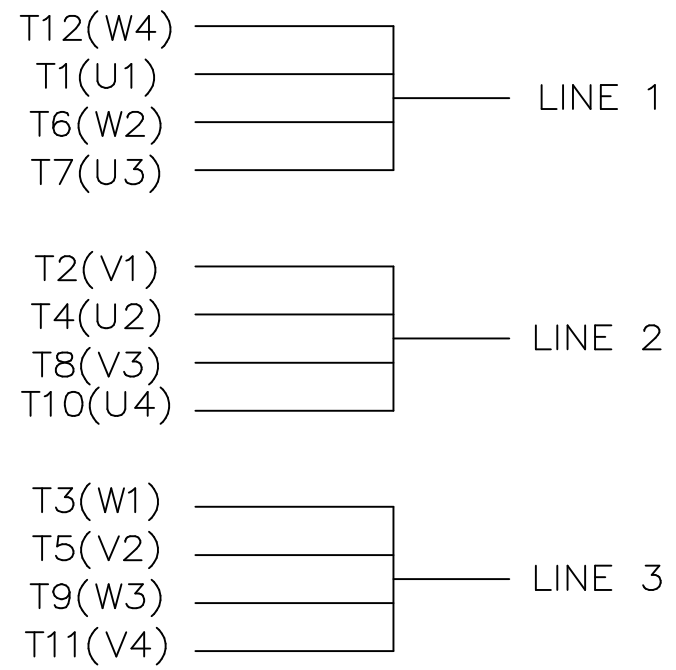
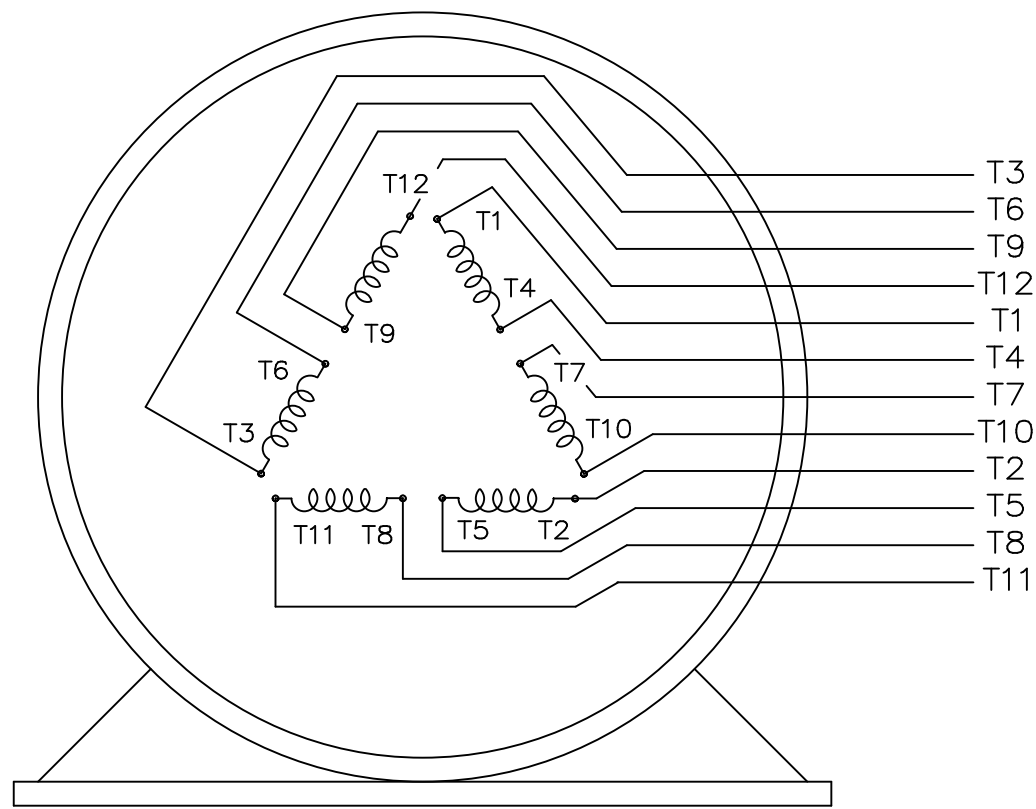


NOTES:
 1. CONDUIT BOX CAN BE ROTATED IN 90° STEPS.
 2. NAMEPLATES TO BE READ FROM CONDUIT BOX SIDE OF MOTOR.


2117	444T	41.58	--	18.00	14.50			14.62
2317	445T	43.58	--	20.00	16.50	14.50	14.50	16.64
2667	447T	47.08	--	23.50	20.00	16.50	16.50	20.14
3167	449T	52.08	--	28.50	25.00	20.00	20.00	25.14
DASH	FRAME	C	AG	B	2F	2FF	2FFF	BS

				TOLERANCES UNLESS SPECIFIED		DRAWN MSG 09-19-2001	
				DEC.	INCHES	CHK ML 09-21-2001	
				.X	±.1	APPD HNH 09-24-2001	
				.XX	±.03	SCALE 1=6	
				.XXX	±.005	REF	
8	Change from 3C223-K4 to 557963 fan guard	MK	11-10-2021	VJR	.XXXX ±.0005	TITLE OUTLINE NEMA MOTORS	
NO.	REVISION	BY & DATE	CHK	ANG	FINISH	440T TEFC UEI	
				RFP	CAD FILE xk2f1ss1	SIZE	DRAWING NO. PAGE OF REV.
				DIST	BY	B	XK2F1SS1 8

THIS DRAWING IN DESIGN AND DETAIL IS OUR PROPERTY AND MUST NOT BE USED EXCEPT IN CONNECTION WITH OUR WORK ALL RIGHTS OF DESIGN AND INVENTION ARE RESERVED THIS IS AN ELECTRONICALLY GENERATED DOCUMENT - DO NOT SCALE THIS PRINT



VIEW OF TERMINAL END

				TOLERANCES UNLESS SPECIFIED			DRAWN KL 04-23-2002			
				DEC.	INCHES		CHK DJK 04-24-2002			
				.X	±.1		APPD EAB 04-24-2002			
				.XX	±.01		SCALE 1=1			
2	ADDED IEC TERMINAL MARKINGS CN 41429	JJB 05/24/200	ML	.XXX	±.005	TITLE CONNECTION DIAGRAM - EXTERNAL 12 LEAD - SINGLE VOLTAGE	REF			
1	NEW DRAWING MU41562	KL 04-12-02		.XXXX	±.0005		MAT'L.	FMF		
NO.	REVISION	BY & DATE	CHK	ANG	±1/2"	FINISH	PREV			
THIS DRAWING IN DESIGN AND DETAIL IS OUR PROPERTY AND MUST NOT BE USED EXCEPT IN CONNECTION WITH OUR WORK ALL RIGHTS OF DESIGN AND INVENTION ARE RESERVED THIS IS AN ELECTRONICALLY GENERATED DOCUMENT - DO NOT SCALE THIS PRINT				RFP	CAD FILE ee7300bh_ln		SIZE A	DRAWING NO. EE7300BH-LN	PAGE OF 2	REV. 2
				DIST	WA-SB					