

# PRODUCT INFORMATION PACKET



Model No: SD6S12.5T61YET1

Catalog No: LM31393

12.5HP..1200RPM.284T.ODP.230/460V.3PH.60HZ.ELEVATOR.NOT.40C.1.0SF.RIGID..  
Elevator Duty



Regal and Leeson are trademarks of Regal Beloit Corporation or one of its affiliated companies.

©2018 Regal Beloit Corporation, All Rights Reserved. MC017097E



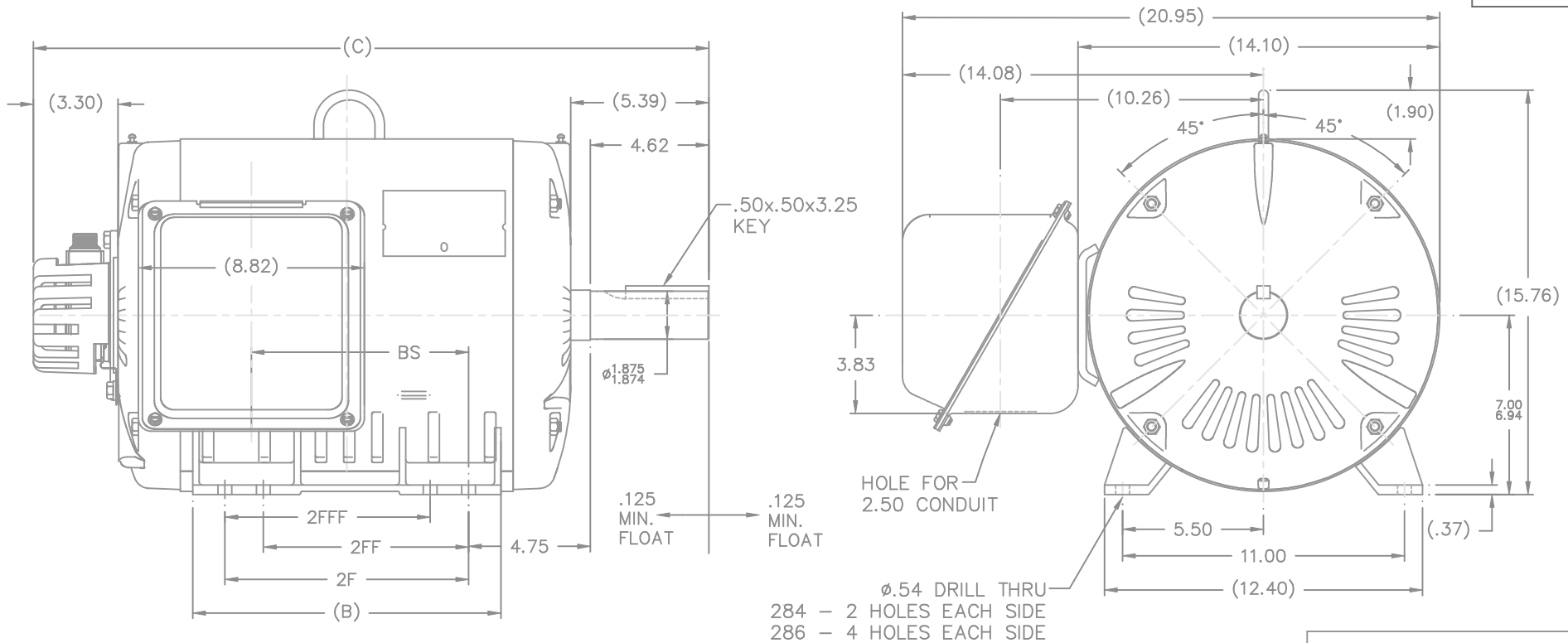


### Nameplate Specifications

Output HP	<b>12.5 Hp</b>	Output KW	<b>9.3 kW</b>
Frequency	<b>60 Hz</b>	Voltage	<b>230/460 V</b>
Current	<b>42/21 A</b>	Speed	<b>1180 rpm</b>
Service Factor	<b>1</b>	Phase	<b>3</b>
Efficiency	<b>86.5 %</b>	Duty	<b>SPECIAL</b>
Insulation Class	<b>F</b>	Design Code	<b>INV</b>
KVA Code	<b>N</b>	Frame	<b>284T</b>
Enclosure	<b>DP</b>	Overload Protector	<b>NOT</b>
Ambient Temperature	<b>40 °C</b>	Drive End Bearing Size	<b>310</b>
Opp Drive End Bearing Size	<b>209</b>	UL	<b>Recognized</b>
CSA	<b>Y</b>	CE	<b>Y</b>
IP Code	<b>22</b>		

### Technical Specifications

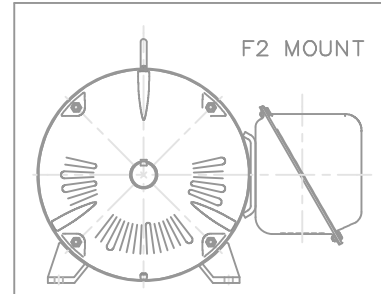
Electrical Type	<b>SQ CAGE INV DUTY</b>	Starting Method	<b>Y START D RUN OR INV</b>
Poles	<b>6</b>	Rotation	<b>REV</b>
Mounting	<b>RIGID</b>	Motor Orientation	<b>HORIZONTAL</b>
Drive End Bearing	<b>BALL</b>	Opp Drive End Bearing	<b>BALL</b>
Frame Material	<b>ROLLED STEEL</b>	Shaft Type	<b>T</b>
Overall Length	<b>26.46 in</b>	Frame Length	<b>12.98 in</b>
Shaft Diameter	<b>1.88 in</b>	Shaft Extension	<b>4.62 in</b>
Assembly/Box Mounting	<b>F1/F2 CAPABLE</b>		
Outline Drawing	<b>XF2D1ES33B-1298</b>	Connection Diagram	<b>A-EE7308BZ-LN</b>



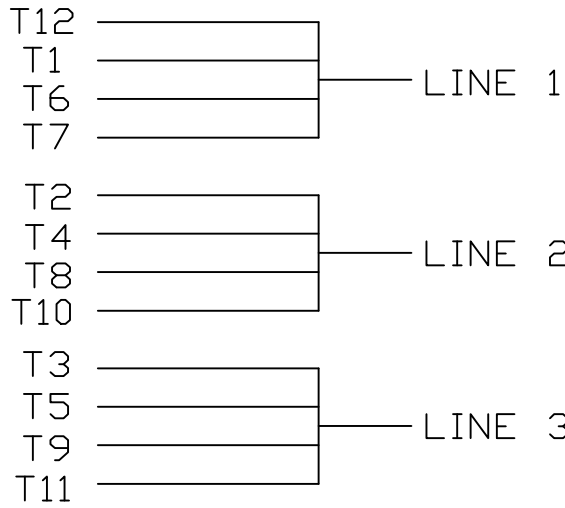
- NOTES:
1. CONDUIT BOX CAN BE ROTATED IN 90° STEPS
  2. NAMEPLATES TO BE READ FROM CONDUIT BOX SIDE OF MOTOR.

DASH	FRAME	C	B	2F	2FF	2FFF	BS
1298	284T	26.46	12.02	9.50	<del>9.50</del>	<del>9.50</del>	8.47
1448	286T	27.96	13.52	11.00	9.50	9.50	9.97

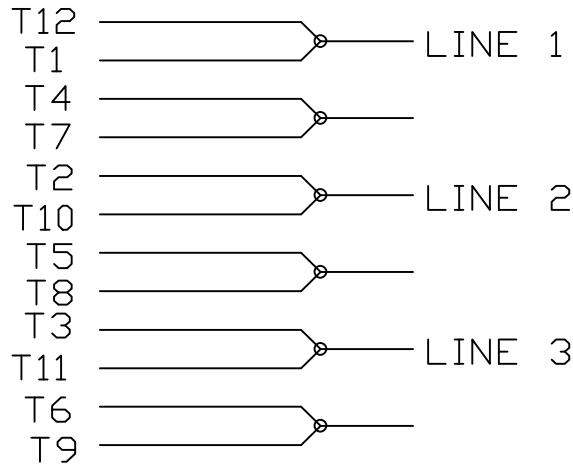
				TOLERANCES UNLESS SPECIFIED		Lincoln MOTORS		DRAWN CTO 11-21-2002		
				DEC.	INCHES			CHK	ML 11-21-2002	
				.X	±.1			APPD	HNH 11-21-2002	
				.XX	±.02	TITLE OUTLINE W/ ENCODER		SCALE	1=4	
				.XXX	±.005	VVVF ELEVATOR HOIST MOTOR 280T ODP		REF		
				CHK	ANG ±7'30"	FINISH		FMF		
				RFP		CAD FILE xf2d1es33b		PREV		
1 NEW DRAWING MU43932 CTO 11-21-2002 REVISION BY & DATE THIS DRAWING IN DESIGN AND DETAIL IS OUR PROPERTY AND MUST NOT BE USED EXCEPT IN CONNECTION WITH OUR WORK ALL RIGHTS OF DESIGN AND INVENTION ARE RESERVED THIS IS AN ELECTRONICALLY GENERATED DOCUMENT - DO NOT SCALE THIS PRINT				DIST	BY	SIZE	DRAWING NO.	PAGE	OF	REV.
						B	XF2D1ES33B			1



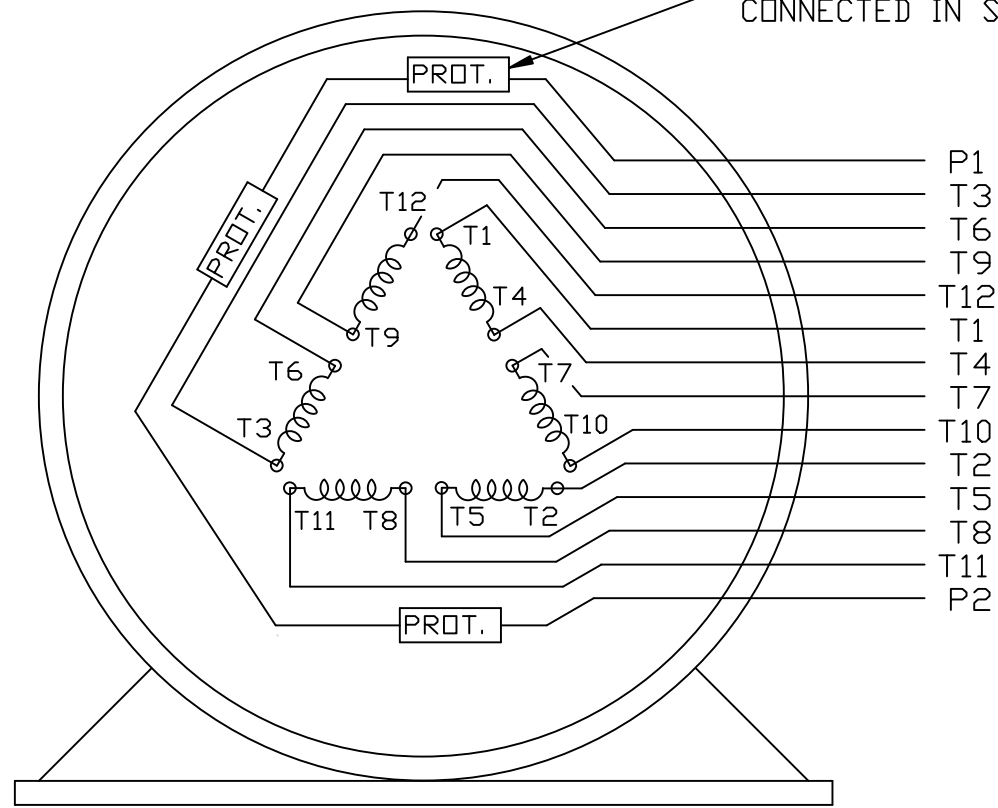
LOW VOLTAGE



HIGH VOLTAGE



THERMO - PROTECTORS  
CONNECTED IN SERIES.



VIEW OF TERMINAL END

					UNLESS OTHERWISE SPECIFIED DIMENSIONS ARE IN INCHES TOL. ON XX±      XXX±      XXXX±      ANGLES±				
2	08/17/2011	REMOVED NOTE '12 LEADS SINGLE VOLTAGE'	MU103768		RFH	MAX. SURFACE ROUGHNESS UNLESS OTHERWISE NOTED		DRAWN BY KL CHKD BY DJK	12-11-2000
1	12-11-2000	NEW DRAWING	MU34925		KL	FINISH		APPD BY DJK	12-11-2000
REV	DATE	CHANGE			NAME	PART NAME EXTERNAL CONNECTION DIAGRAM 3 PHASE - 2/1 DELTA - 12 LEADS			DRWG NO A- EE7308BZ-LN
					PURCHASED	CADD FILE NO.	EE7308BZ-LN		