

PRODUCT INFORMATION PACKET

Model No: LM30735

Catalog No: LM30735

Elevator Duty Motor, 12.50 HP, 3 Ph, 60 Hz, 200 V, 1200 RPM, 284TC Frame, DP

Regal and are trademarks of Regal Rexnord Corporation or one of its affiliated companies.
©2022 Regal Rexnord Corporation, All Rights Reserved. MC017097E



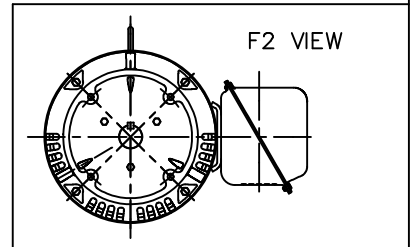
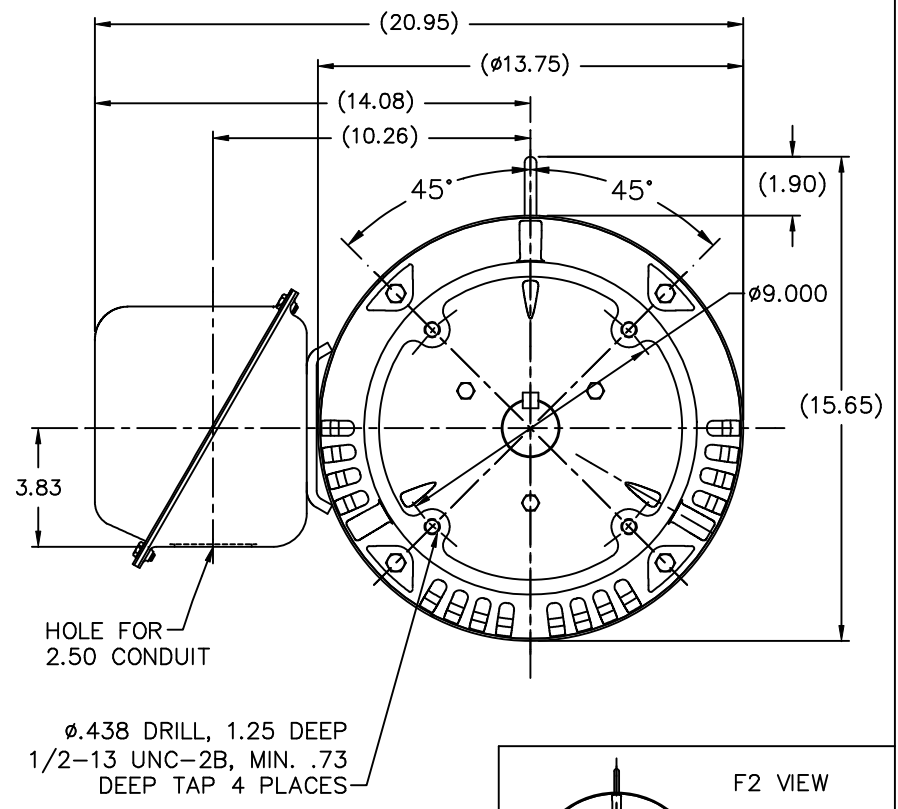
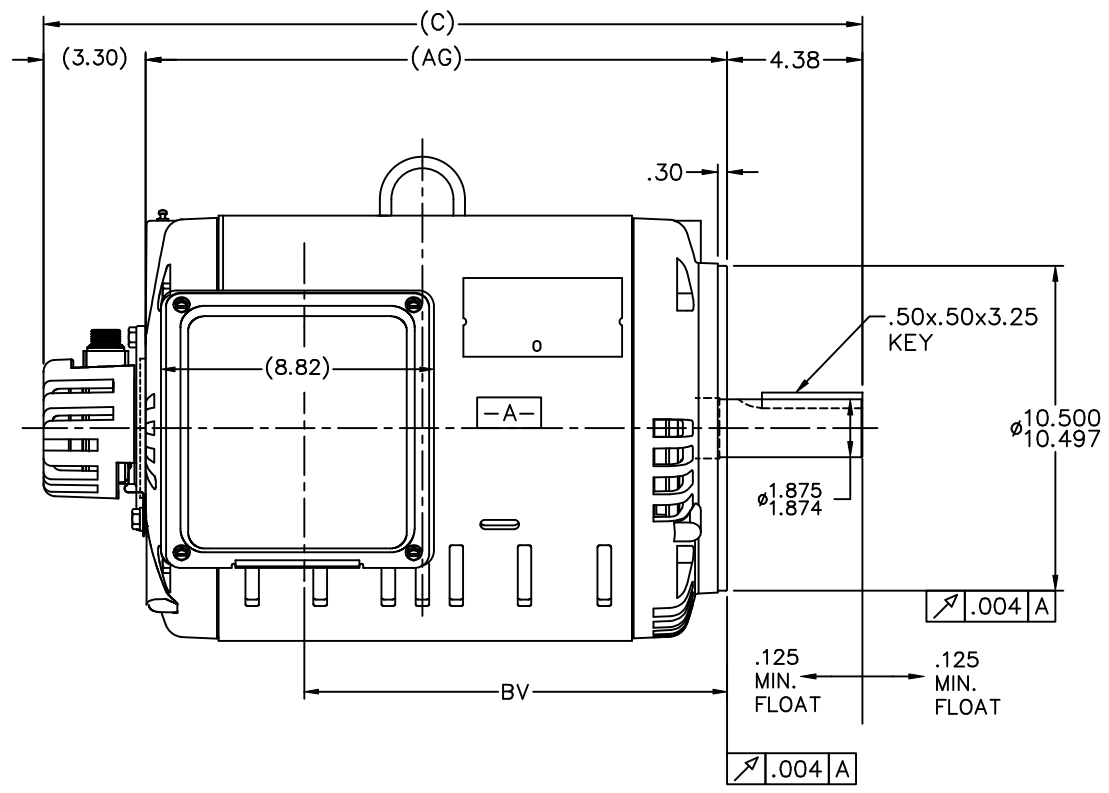
Nameplate Specifications

Output HP	12.50 Hp	Output KW	9.3 kW
Frequency	60 Hz	Voltage	200 V
Current	47.0 A	Speed	1185 rpm
Service Factor	1	Phase	3
Efficiency	84.4 %	Power Factor	68
Duty	Elevator	Insulation Class	F
Design Code	INV	KVA Code	N
Frame	284TC	Enclosure	Drip Proof
Thermal Protection	Thermostat	Ambient Temperature	40 °C
Drive End Bearing Size	310	Opp Drive End Bearing Size	209
UL	Recognized	CSA	Y
CE	Y	IP Code	22
Number of Speeds	1		

Technical Specifications

Electrical Type	Squirrel Cage Inverter Duty	Starting Method	Wye Start Delta Run Or Inverter
Poles	6	Rotation	Reversible
Resistance Main	.432 Ohms	Mounting	Round
Motor Orientation	Horizontal	Drive End Bearing	Ball
Opp Drive End Bearing	Ball	Frame Material	Rolled Steel
Shaft Type	T	Overall Length	26.47 in
Frame Length	13.53 in	Shaft Diameter	1.875 in
Shaft Extension	4.38 in	Assembly/Box Mounting	F1/F2 CAPABLE
Connection Drawing	A-EE7340D-LN	Outline Drawing	XF3D1EC33B-1298

This is an uncontrolled document once printed or downloaded and is subject to change without notice. Date Created:09/07/2022

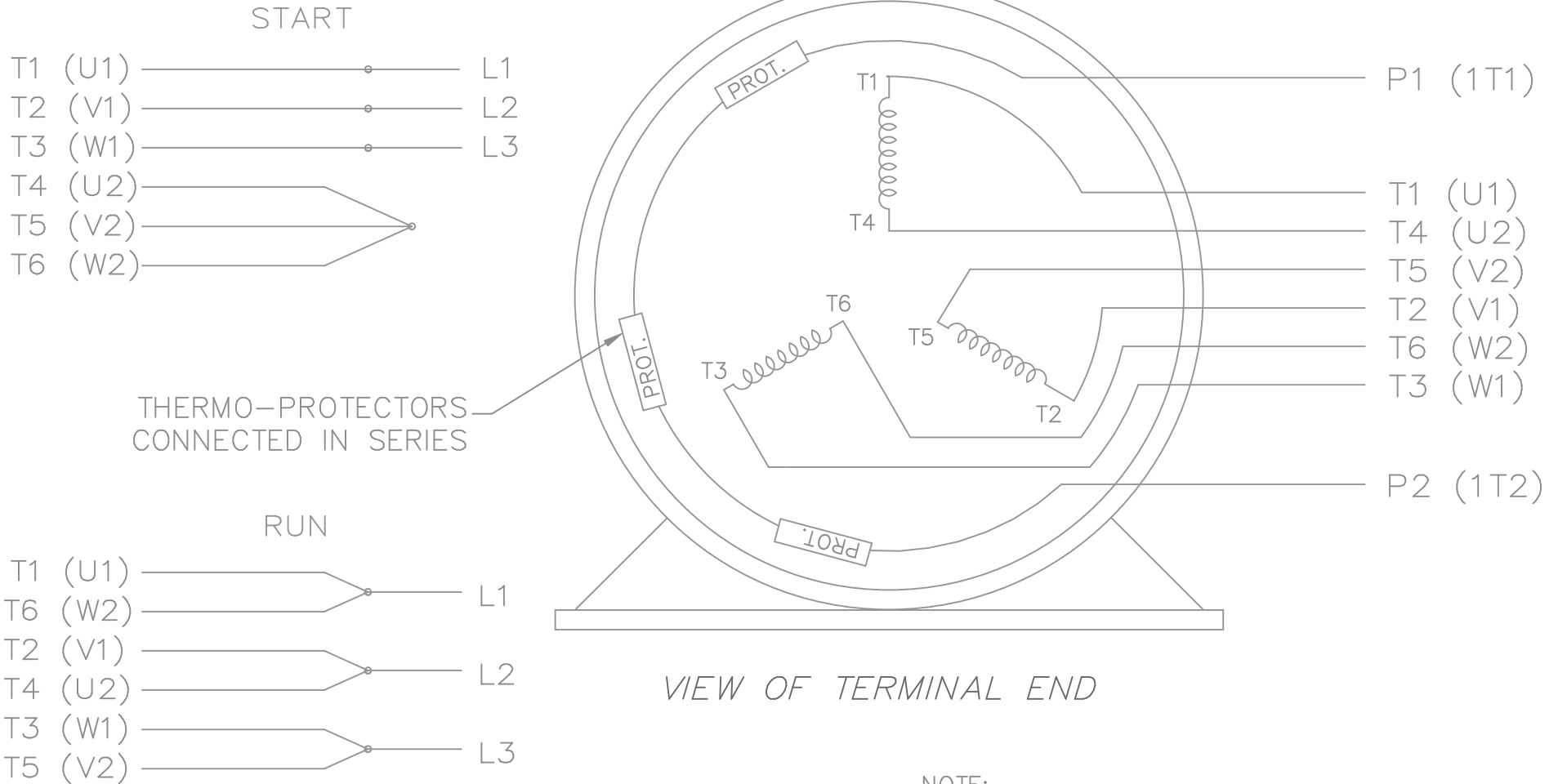


- NOTES:
1. CONDUIT BOX CAN BE ROTATED IN 90° STEPS.
 2. NAMEPLATES TO BE READ FROM CONDUIT BOX SIDE OF MOTOR.


DASH	FRAME	C	AG	BV
1298	284TC	26.47	18.79	13.66
1448	286TC	27.97	20.29	15.16

				TOLERANCES UNLESS SPECIFIED		Lincoln MOTOR		DRAWN CTO 11-20-2002	
				DEC.	INCHES			CHK	DRS 12-03-2002
				.X	±.1			APPD	HNH 12-03-2002
				.XX	±.02	TITLE OUTLINE - IH950 ENCODER		SCALE 1=4	
				.XXX	±.005	VVVF ELEVATOR HOIST MOTOR 280TC ODP		REF	
1	NEW DRAWING	MU43624	CTO 12-03-2002	HNH	.XXXX	±.0005	MATL	FMF	
NO.	REVISION	BY & DATE	CHK	ANG	±7°30'	FINISH	PREV		
THIS DRAWING IN DESIGN AND DETAIL IS OUR PROPERTY AND MUST NOT BE USED EXCEPT IN CONNECTION WITH OUR WORK ALL RIGHTS OF DESIGN AND INVENTION ARE RESERVED THIS IS AN ELECTRONICALLY GENERATED DOCUMENT - DO NOT SCALE THIS PRINT				RFP	CAD FILE xf3d1ec33b			SIZE	DRAWING NO. PAGE OF REV.
				DIST	BY			B	XF3D1EC33B 1

THREE PHASE
WYE START DELTA RUN



NOTE:
IEC LEAD MARKINGS ARE NOTED IN PARANTHESES

				TOLERANCES UNLESS SPECIFIED			DRAWN KL 11-10-2000				
				DEC.	INCHES		CHK DJK 11-10-2000				
				.X	±.1		APPD DJK 11-10-2000				
				.XX	±.02		SCALE 1=1				
2	ADDED IEC LEAD MARKINGS	MSG 10-08-2008	ML	.XXX	±.005	TITLE CONNECTION DIAGRAM - EXTERNAL - 3φ WYE START DELTA RUN - SINGLE VOLTAGE		REF			
1	NEW DRAWING MU34618	KL 11-10-2000	DJK	.XXXX	±.0005	MAT'L.		FMF			
NO.	REVISION	BY & DATE	CHK	ANG	±7'30"	FINISH		PREV			
THIS DRAWING IN DESIGN AND DETAIL IS OUR PROPERTY AND MUST NOT BE USED EXCEPT IN CONNECTION WITH OUR WORK ALL RIGHTS OF DESIGN AND INVENTION ARE RESERVED THIS IS AN ELECTRONICALLY GENERATED DOCUMENT - DO NOT SCALE THIS PRINT				RFP	11-10-2000	CAD FILE EE7340D_LN		SIZE A	DRAWING NO. EE7340D_LN	PAGE OF 2	REV. 2



CERTIFICATION DATA SHEET

**2100 WASHINGTON ST.
GRAFTON, WI
PH. 262-277-8810**

CONN. DIAGRAM: A-EE7340D-LN

OUTLINE: XF3D1EC33B-1298

CATALOG : LM30735

WINDING #: 6D284007 4

MOUNTING: F1/F2 CAPABLE

TYPICAL MOTOR PERFORMANCE DATA

HP	kW	SYNC. RPM	F.L. RPM	FRAME	ENCLOSURE	KVA CODE	DESIGN
12 1/2	9.30	1200	1185	284TC	DP	N	INV

PH	Hz	VOLTS	AMPS	START TYPE	DUTY	INSL	S.F.	AMB°C
3	60	200	47	Y START D RUN OR INV	VERIFY	F4	1.0	40

FULL LOAD EFF:	84.4	3/4 LOAD EFF:	82.5	1/2 LOAD EFF:	77	GTD. EFF		ELEC. TYPE	
FULL LOAD PF:	68	3/4 LOAD PF:	59.5	1/2 LOAD PF:	47.5	80		SQ CAGE INV DUTY	

F.L. TORQUE	LOCKED ROTOR AMPS	L.R. TORQUE	B.D. TORQUE	F.L. RISE°C
55.5 LB-FT	391	150 LB-FT 270 %	215 LB-FT 387 %	0

SOUND PRESSURE @ 3 FT.	SOUND POWER	ROTOR WK^2	MAX. WK^2	SAFE STALL TIME	STARTS / HOUR	APPROX. MOTOR WGT
66 dBA	76 dBA	4.1 LB-FT^2	- LB-FT^2	- SEC.	-	- LBS.

***** SUPPLEMENTAL INFORMATION *****

DE BRACKET TYPE	ODE BRACKET TYPE	MOUNT TYPE	ORIENTATION	SEVERE DUTY	HAZARDOUS LOCATION	DRIP COVER	SCREENS	PAINT
C-FACE	ENCODER	ROUND	HORIZONTAL	FALSE	NONE	FALSE	NONE	GRAY - LINCOLN

BEARINGS		GREASE	SHAFT TYPE	SPECIAL DE	SPECIAL ODE	SHAFT MATERIAL	FRAME MATERIAL
DE	ODE						
BALL	BALL	POLYREX EM	T	NONE	NONE	1045 HOT ROLLED (C-204)	ROLLED STEEL
310	209						

THERMO-PROTECTORS				THERMISTORS	CONTROL	SPACE HEATERS
THERMOSTATS	PROTECTORS	WDG RTDs	BRG RTDs			
TSTATS (N/C)	NOT	NONE	NONE	NONE	FALSE	NONE VOLTS

*
N
O
T
E
S
*

INVERTER TORQUE: CONSTANT 1000:1
INV. HP SPEED RANGE: NONE
ENCODER: REGAL SUPPLIED - REGAL MOUNT
DYNAPAR HS35 LINCOLN
MS CONNECTOR 1024 PPR
BRAKE: NONE NONE
NONE P/N NONE
NONE NONE
FT-LB NONE V NONE Hz



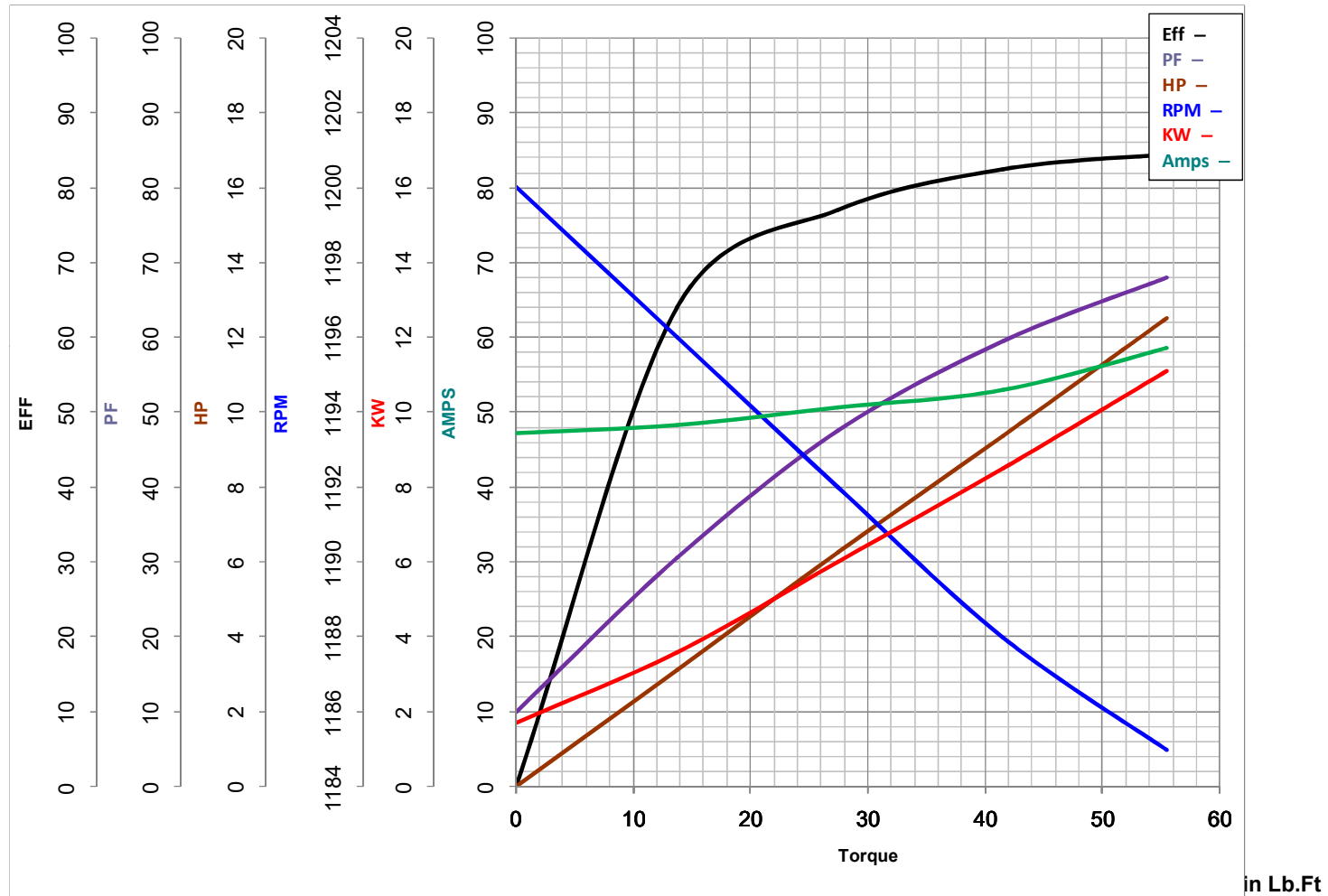
LEESON ELECTRIC CORPORATION
 TYPICAL PERFORMANCE CURVE for AC MOTOR

Model No LM30735

Curve at 200 Volts HP 12.50 PHASE 3
60 HZ
12.5 HP VOLTS 200

Catalog No LM30735BB

HZ 60 RPM 1185



FL TORQUE	<u>55.5</u>	Lb.Ft	FL AMPS	<u>47</u>	
BD TORQUE	<u>215.0</u>	Lb.Ft	PU TORQUE	<u>165.0</u>	Lb.Ft
LR TORQUE	<u>150</u>	Lb.Ft	LR AMPS	<u>391</u>	
WINDING	6D284007-4		Date	10/25/2018	