

PRODUCT INFORMATION PACKET



Model No: LM30189

Catalog No: LM30189

General Purpose Motor, 125 HP, 3 Ph, 50 Hz, 380 V, 1500 RPM, 405TSC Frame, DP

Regal and Leeson are trademarks of Regal Rexnord Corporation or one of its affiliated companies.
©2023 Regal Rexnord Corporation, All Rights Reserved. MC017097E





Nameplate Specifications

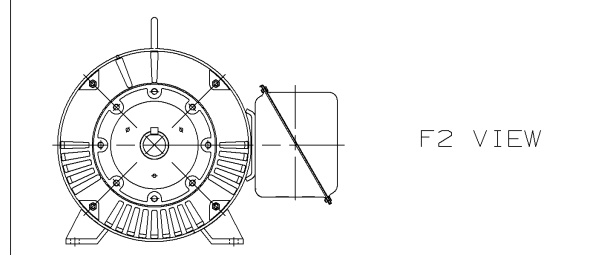
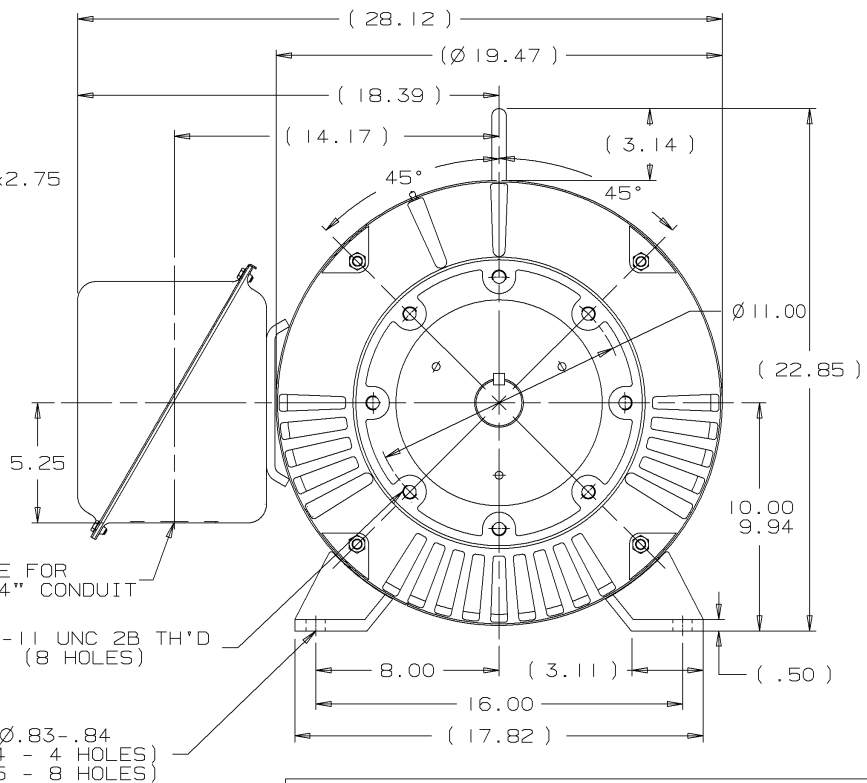
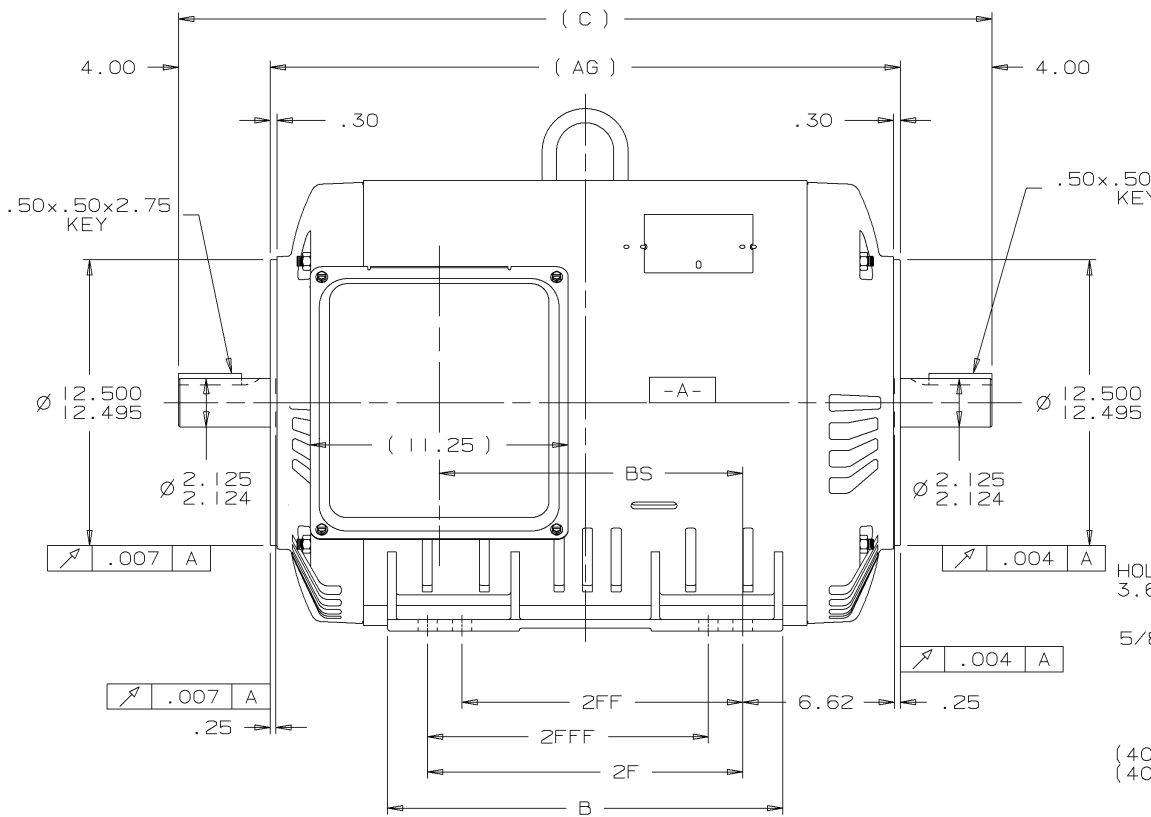
Phase	3	Output HP	125 Hp
Output KW	93.0 kW	Voltage	380 V
Speed	1480 rpm	Service Factor	1.15
Frame	405TSC	Enclosure	Drip Proof
Thermal Protection	No Protection	Efficiency	94.5 %
Ambient Temperature	40 °C	Frequency	50 Hz
Current	189.0 A	Power Factor	79.5
Duty	Continuous	Insulation Class	F
Design Code	BC	KVA Code	G
Drive End Bearing Size	315	Opp Drive End Bearing Size	313
UL	Recognized	CSA	Y
CE	Y	IP Code	22
Number of Speeds	1		

Technical Specifications

Electrical Type	Squirrel Cage Induction Run	Starting Method	Wye Start Delta Run
Poles	4	Rotation	Reversible
Resistance Main	.029 Ohms	Mounting	Rigid Base
Motor Orientation	Horizontal	Drive End Bearing	Ball
Opp Drive End Bearing	Ball	Frame Material	Rolled Steel
Shaft Type	TS BOTH ENDS	Shaft Diameter	1.125 in
Assembly/Box Mounting	F1/F2 CAPABLE		
Outline Drawing	XJ2D1CC4-1885	Connection Drawing	A-EE7340-LN

This is an uncontrolled document once printed or downloaded and is subject to change without notice. Date Created:10/11/2023

B-XJ2DICC4



NOTES:
 1. CONDUIT BOX CAN BE ROTATED IN 90° STEPS.
 2. NAMEPLATES TO BE READ FROM CONDUIT BOX SIDE OF MOTOR.

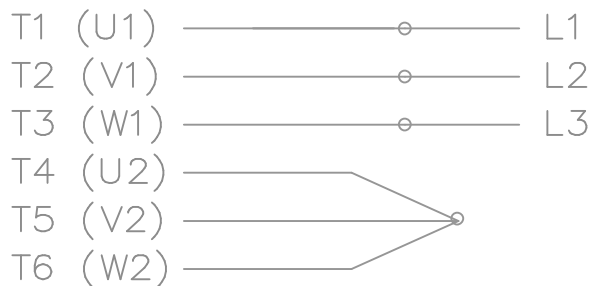
DASH	FRAME	C	AG	BS	B	2F	2FF	2FFF
1735	404TS	34.00	25.91	11.75	15.75	12.25		
1885	405TS	35.50	27.41	13.25	17.25	13.75	12.25	12.25

		TOLERANCES UNLESS SPECIFIED				Lincoln MOTOR		DRAWN CTO 02-14-2002	
		DEC.	TOLERANCE					CHK	DRS 02-14-2002
		.X	± .1					APPD	HNH 02-15-2002
		.XX	± .03			TITLE		SCALE	
		.XXX	± .005			OUTLINE NEMA MOTORS		REF	
						400TS ODP UE DBL C-FACE		FMF	
						SURFACE ROUGHNESS UNLESS SPECIFIED		PREV	
						FINISH			
						CAD FILE XJ2DICC4		SHOP BOOK	
						PURCHASED		SIZE	
						DIST		DRAWING NO.	
						WA - 06 - 06 - 04 - 0R - BY		B	
								XJ2DICC4	
								I	

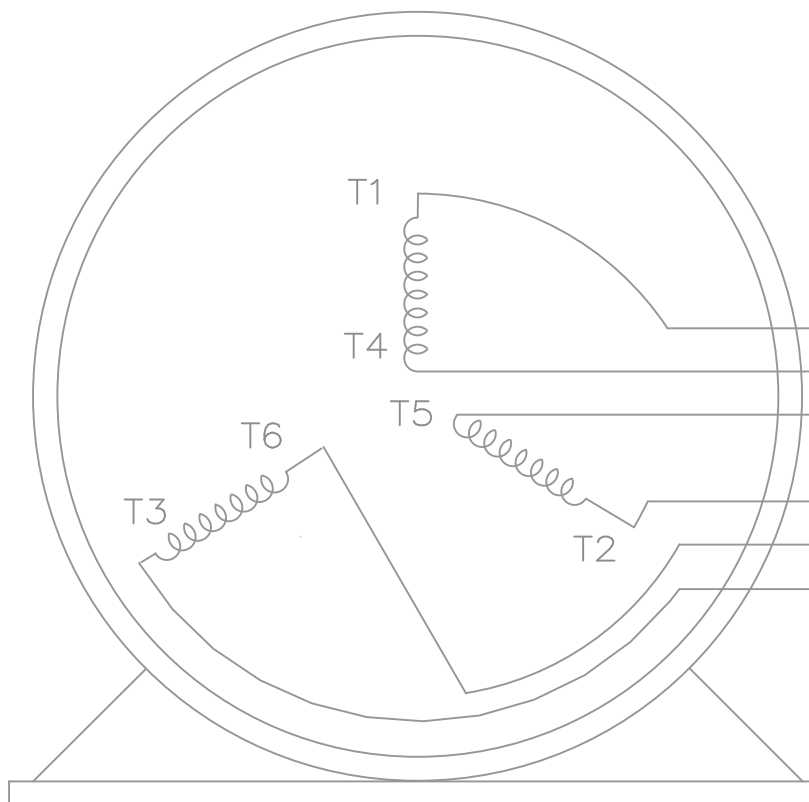
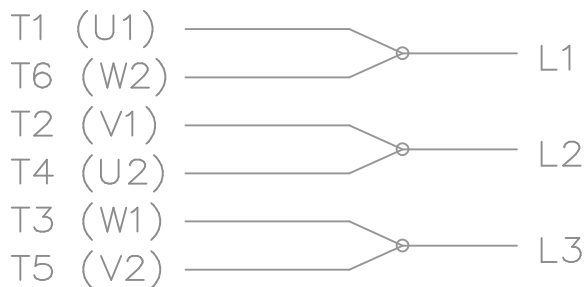
THIS DRAWING IN DESIGN AND DETAIL IS OUR PROPERTY AND MUST NOT BE USED EXCEPT IN CONNECTION WITH OUR WORK. ALL RIGHTS OF DESIGN AND INVENTION ARE RESERVED. THIS IS AN ELECTRONICALLY GENERATED DOCUMENT - DO NOT SCALE THIS PRINT

THREE PHASE – Y START
Δ RUN MOTOR

START

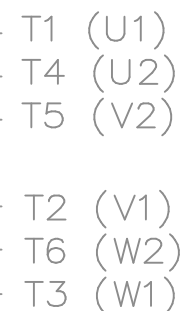


RUN




VIEW OF TERMINAL END

NOTE:
IEC LEAD MARKINGS ARE NOTED
IN PARENTHESES



T6CK
T6BM
T4CC
T2DL
T4C

				TOLERANCES UNLESS SPECIFIED			DRAWN BLR 10-04-1999		
				DEC.	INCHES		CHK DRS 10-04-1999		
				.X	±.1		APPD TB 10-04-1999		
3	REVISED TO MATCH M.E. ORIGINAL	TAT 07-25-2005	ML	.XX	±.02	TITLE CONNECTION DIAGRAM 3Ø – WYE START DELTA RUN	SCALE 1=1		
2	REVISED DRAWING MISTAKE CN 29200-2980	ERH 05-15-2003	ML	.XXX	±.005		REF		
1	NEW DRAWING	BLR 10-09-1999		.XXXX	±.0005		FMF		
NO.	REVISION	BY & DATE	CHK	ANG	±7'30"	FINISH	PREV		
THIS DRAWING IN DESIGN AND DETAIL IS OUR PROPERTY AND MUST NOT BE USED EXCEPT IN CONNECTION WITH OUR WORK ALL RIGHTS OF DESIGN AND INVENTION ARE RESERVED THIS IS AN ELECTRONICALLY GENERATED DOCUMENT – DO NOT SCALE THIS PRINT				RFP	CAD FILE ee7340_In		SIZE	DRAWING NO. PAGE OF	REV.
				DIST	WA-LB-SB		A	EE7340-LN	3

EC Declaration of Conformity

The undersigned representing
the manufacturer:

Regal Beloit America
100 East Randolph St.
Wausau, WI 54401

and the authorized representative
established within the Community:

Marathon Electric UK
6F Thistleton Road Ind. Estate
Market Overton
Oakham, Rutland LE15 7PP UK

are committed to providing customers with products that comply with applicable regulations and international protocols to which they are subject, including the requirements of the European Parliament Directive on the Harmonization of the laws relating to electrical equipment designed for use within certain voltage limits (2014/35/EU).

Regal Beloit America declares that the following product(s), to which this declaration relates, are in conformity with the relevant sections of the EC standards listed below.

This statement supersedes any statements previously issued pertaining to the product(s) listed below and is subject to change without notice.

Model No : LM30189

(Model No. may contain prefix and/or suffix characters)

Catalog No : LM30189

Rework No : N/A

Directives :

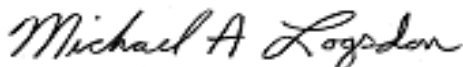
Low Voltage Directive 2014/35/EU

Harmonized Standards Used :

EN 60034-1: 2010 (IEC 60034-1: 2010)

EN 60034-5: 2001/A1:2007 (IEC 60034-5: 2000/A1:2006)

Authorized Representative:



Michael A. Logsdon
Vice President, Technology

Authorized Representative in the Community:



Julian Clark
Marketing Engineer

Created on 09/01/2022

CE 22