

PRODUCT INFORMATION PACKET



Model No: LM30099
Catalog No: LM30099

Elevator Duty Motor, 30 & 40 HP, 3 Ph, 60 & 60 Hz, 200 & 200 V, 3600 & 3600 RPM, 284T Frame, DP



Regal and Leeson are trademarks of Regal Rexnord Corporation or one of its affiliated companies.
©2023 Regal Rexnord Corporation, All Rights Reserved. MC017097E



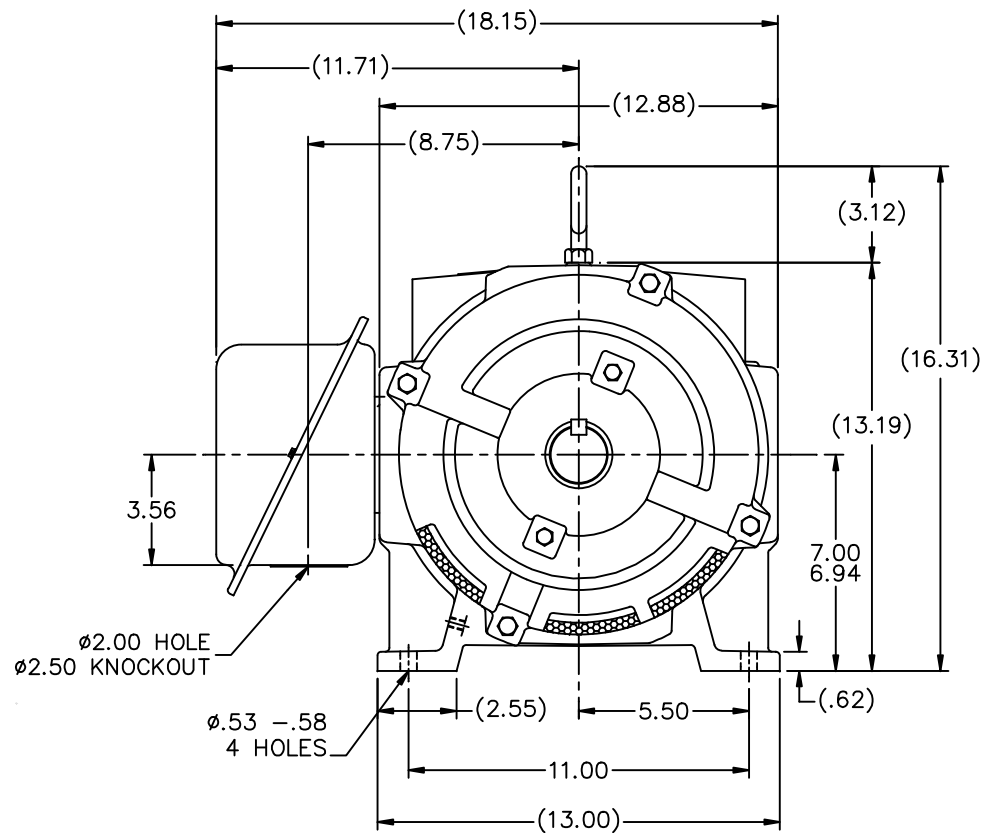
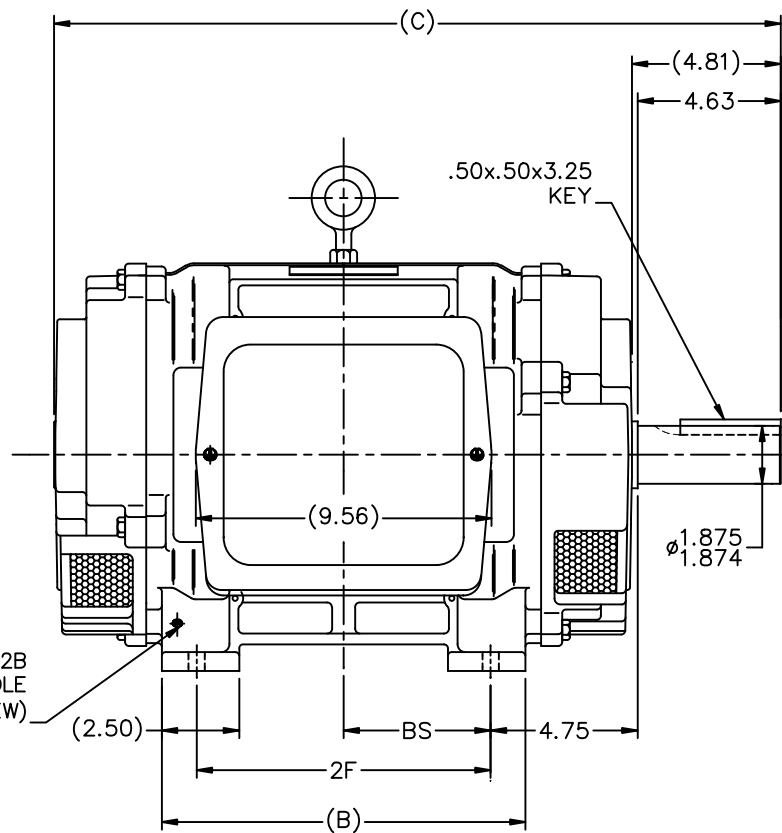


Nameplate Specifications

Phase	3	Output HP	30 & 40 Hp
Output KW	22.4 & 30.0 kW	Voltage	200 & 200 V
Speed	3530 & 3530 rpm	Service Factor	1.0 & 1.0
Frame	284T	Enclosure	Drip Proof
Thermal Protection	No Protection	Efficiency	91 & 88.5 %
Ambient Temperature	40 °C	Frequency	60 & 60 Hz
Current	83 & 112 A	Power Factor	85.5
Duty	120/80 Starts/Hour	Insulation Class	F
Design Code	B	KVA Code	C
Drive End Bearing Size	311	Opp Drive End Bearing Size	210
UL	Recognized	CSA	Y
CE	Y	IP Code	12
Number of Speeds	1		

Technical Specifications

Electrical Type	Squirrel Cage Induction Run	Starting Method	Wye Start Delta Run
Poles	2	Rotation	Reversible
Resistance Main	.364 Ohms	Mounting	Rigid Base
Motor Orientation	Horizontal	Drive End Bearing	Ball
Opp Drive End Bearing	Ball	Frame Material	Cast Iron
Shaft Type	T	Overall Length	23.49 in
Frame Length	12.75 in	Shaft Diameter	1.875 in
Shaft Extension	4.63 in	Assembly/Box Mounting	F1/F2 CAPABLE
Connection Drawing	EE7340-LN	Outline Drawing	SS200030LN-1275



NOTES

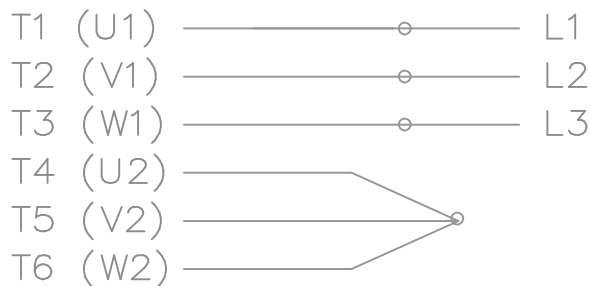
1. BOX CAN BE ROTATED IN 90° STEPS
2. BOX CAN BE MOUNTED ON OPPOSITE SIDE BY REMOVING BRACKETS AND TURNING FRAME 180°
3. NAMEPLATE TO BE READ FROM CONDUIT BOX SIDE OF MOTOR

DASH	FRAME	B	C	2F	BS
1275	284T	11.75	23.49	9.50	4.75
1425	286T	13.25	24.99	11.00	5.50

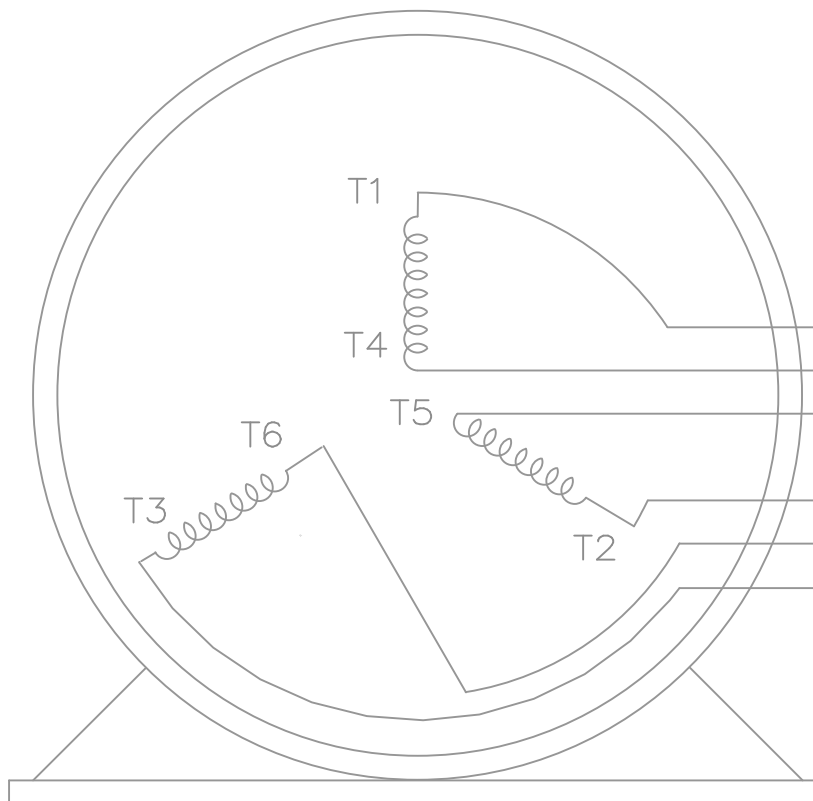
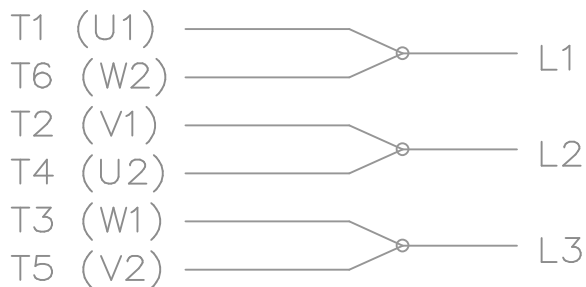
		TOLERANCES UNLESS SPECIFIED		Lincoln MOTOR		DRAWN CTO 12-12-2003	
		DEC.	INCHES			CHK	ML 12-12-2003
		.X	±.1			APPD	BW 12-12-2003
		.XX	±.03	TITLE OUTLINE - DR.PR. - CAST IRON		SCALE	1=4
		.XXX	±.005	280T FR. - BB - TS - DBL. END VENT.		REF	
		.XXXX	±.0005	MAT'L		FMF	MU49135
NO.	REVISION	BY & DATE	CHK	ANG	±7'30"	FINISH	PREV
2 ADDED SCREENS MU98659		EDK 12/3/2010	BW	.XXX	±.005	RFP 12-12-2003 CAD FILE ss200030ln	
1 REV'D C'BOX HOLE 2.00/2.50 WAS JUST 2.00 MU 50269		ERH 07-14-2004	ML	.XXXX	±.0005	SIZE	DRAWING NO. PAGE OF REV.
THIS DRAWING IN DESIGN AND DETAIL IS OUR PROPERTY AND MUST NOT BE USED EXCEPT IN CONNECTION WITH OUR WORK ALL RIGHTS OF DESIGN AND INVENTION ARE RESERVED THIS IS AN ELECTRONICALLY GENERATED DOCUMENT - DO NOT SCALE THIS PRINT			CHK	ANG	±7'30"	B	SS200030LN 2
			DIST	LB			

THREE PHASE – Y START
Δ RUN MOTOR

START

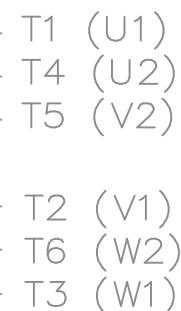


RUN




VIEW OF TERMINAL END

NOTE:
IEC LEAD MARKINGS ARE NOTED
IN PARENTHESES



T6CK
T6BM
T4CC
T2DL
T4C

				TOLERANCES UNLESS SPECIFIED			DRAWN BLR 10-04-1999		
				DEC.	INCHES		CHK DRS 10-04-1999		
				.X	±.1		APPD TB 10-04-1999		
3	REVISED TO MATCH M.E. ORIGINAL	TAT 07-25-2005	ML	.XX	±.02	TITLE CONNECTION DIAGRAM 3Ø – WYE START DELTA RUN	SCALE 1=1		
2	REVISED DRAWING MISTAKE CN 29200-2980	ERH 05-15-2003	ML	.XXX	±.005		REF		
1	NEW DRAWING	BLR 10-09-1999		.XXXX	±.0005	MAT'L.	FMF		
NO.	REVISION	BY & DATE	CHK	ANG	±7'30"	FINISH	PREV		
THIS DRAWING IN DESIGN AND DETAIL IS OUR PROPERTY AND MUST NOT BE USED EXCEPT IN CONNECTION WITH OUR WORK ALL RIGHTS OF DESIGN AND INVENTION ARE RESERVED THIS IS AN ELECTRONICALLY GENERATED DOCUMENT – DO NOT SCALE THIS PRINT				RFP	CAD FILE ee7340_In		SIZE	DRAWING NO. PAGE OF	REV.
				DIST	WA-LB-SB		A	EE7340-LN	3

Data Sheet

Date: 2/1/2018

LM30099



Data @ **200 V**

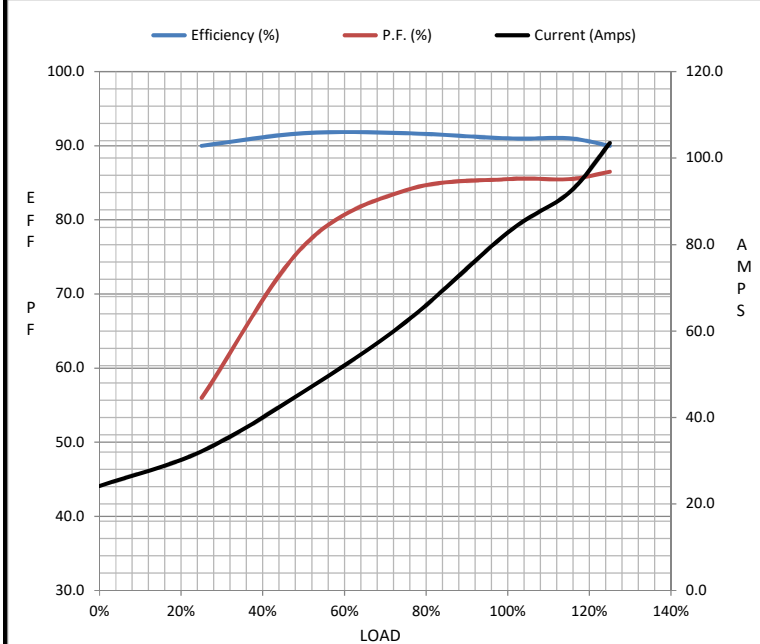
Motor Load Data

Load	0%	25%	50%	75%	100%	115%	125%	LR
Current (Amps)	24.2	32.2	46.0	62.1	82.8	92.0	104	460
Torque (ft-lb)	0.00	11.0	22.0	33.5	44.5	50.0	56.0	67.0
RPM	3600	3585	3570	3550	3530	3,520	3505	0
Efficiency (%)		90.0	91.7	91.7	91.0	91.0	90.0	
P.F. (%)	11.0	56.0	76.5	84.0	85.5	85.5	86.5	38.0

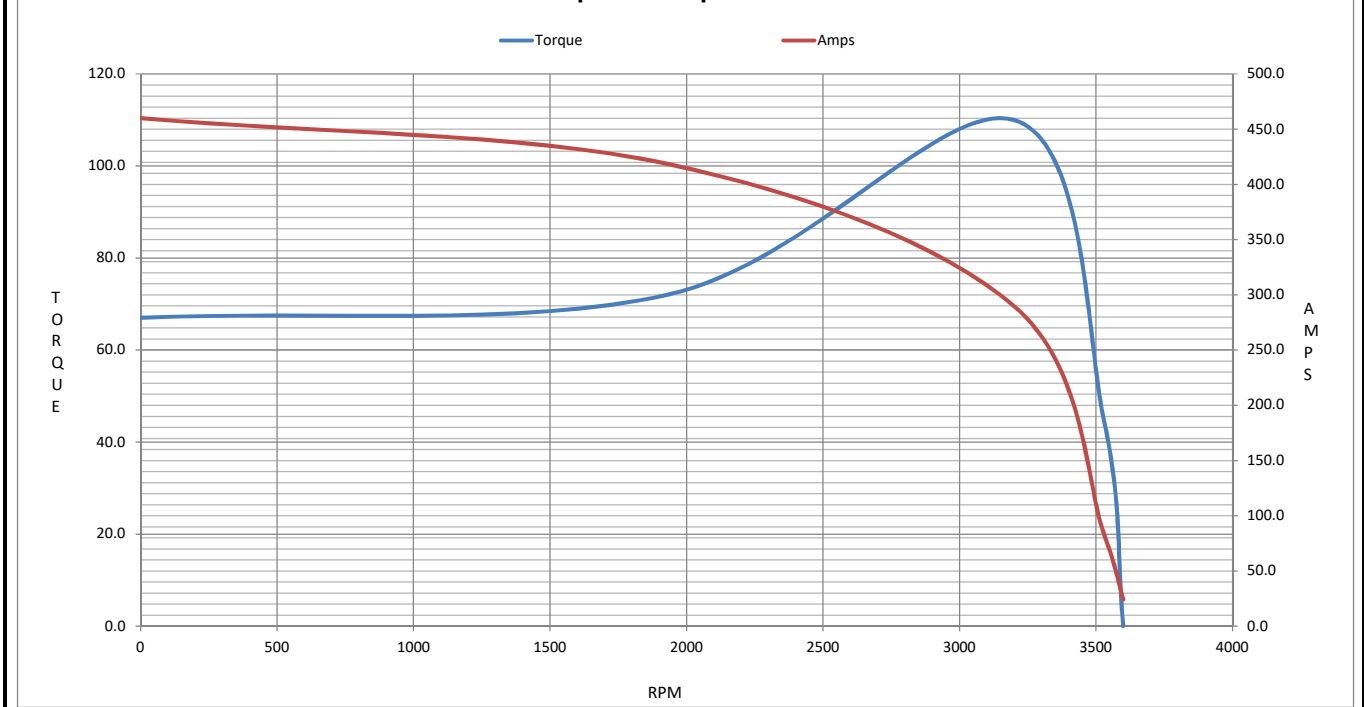
Motor Speed Data

	LR	Pull-Up	BD	Rated	Idle
Speed (RPM)	0	1930	3200	3530	3600
Current (Amps)	460	419	290	82.8	24.2
Torque (ft-lb)	67.0	72.0	110	44.5	0.00

Information Block				
HP	30.0			
Sync. RPM	3600			
Frame	284			
Enclosure	DP			
Construction	TDP			
Voltage	200#200 V			
Frequency	60 Hz			
Design	B			
LR Code letter	F			
Service Factor	1.15			
Temp Rise @ FL	40 °C			
Duty	60 MIN			
Ambient	40 °C			
Elevation	1,000 feet			
Rotor/Shaft wk ²	1.25 Lb-Ft ²			
Ref Wdg	K256294 R6			
Sound Pressure @ 1M	80 dBA			
VFD Rating	NONE			
Outline Dwg	B-SS200030LN-1275			
Conn. Diag	A-EE7340-LN			
Additional Specifications:				
0				
0				
EQUIV CKT (OHMS / PHASE)				
R1	R2	X1	X2	Xm
0.0400	0.0290	0.1540	0.1460	4.6140



Speed - Torque Curve



EC Declaration of Conformity

The undersigned representing
the manufacturer:

Regal Beloit America
100 East Randolph St.
Wausau, WI 54401

and the authorized representative
established within the Community:

Marathon Electric UK
6F Thistleton Road Ind. Estate
Market Overton
Oakham, Rutland LE15 7PP UK

are committed to providing customers with products that comply with applicable regulations and international protocols to which they are subject, including the requirements of the European Parliament Directive on the Harmonization of the laws relating to electrical equipment designed for use within certain voltage limits (2014/35/EU).

Regal Beloit America declares that the following product(s), to which this declaration relates, are in conformity with the relevant sections of the EC standards listed below.

This statement supersedes any statements previously issued pertaining to the product(s) listed below and is subject to change without notice.

Model No : LM30099

(Model No. may contain prefix and/or suffix characters)

Catalog No : LM30099

Rework No : N/A

Directives :

Low Voltage Directive 2014/35/EU

Harmonized Standards Used :

EN 60034-1: 2010 (IEC 60034-1: 2010)

EN 60034-5: 2001/A1:2007 (IEC 60034-5: 2000/A1:2006)

Authorized Representative:



Michael A. Logsdon
Vice President, Technology

Authorized Representative in the Community:



Julian Clark
Marketing Engineer

Created on 09/01/2022

CE 22