

PRODUCT INFORMATION PACKET



Model No: LM30097

Catalog No: LM30097

Elevator Duty Motor, 25 & 30 HP, 3 Ph, 60 & 60 Hz, 200 & 200 V, 3600 & 3600 RPM, 256T Frame, DP



Regal and Leeson are trademarks of Regal Rexnord Corporation or one of its affiliated companies.

©2023 Regal Rexnord Corporation, All Rights Reserved. MC017097E



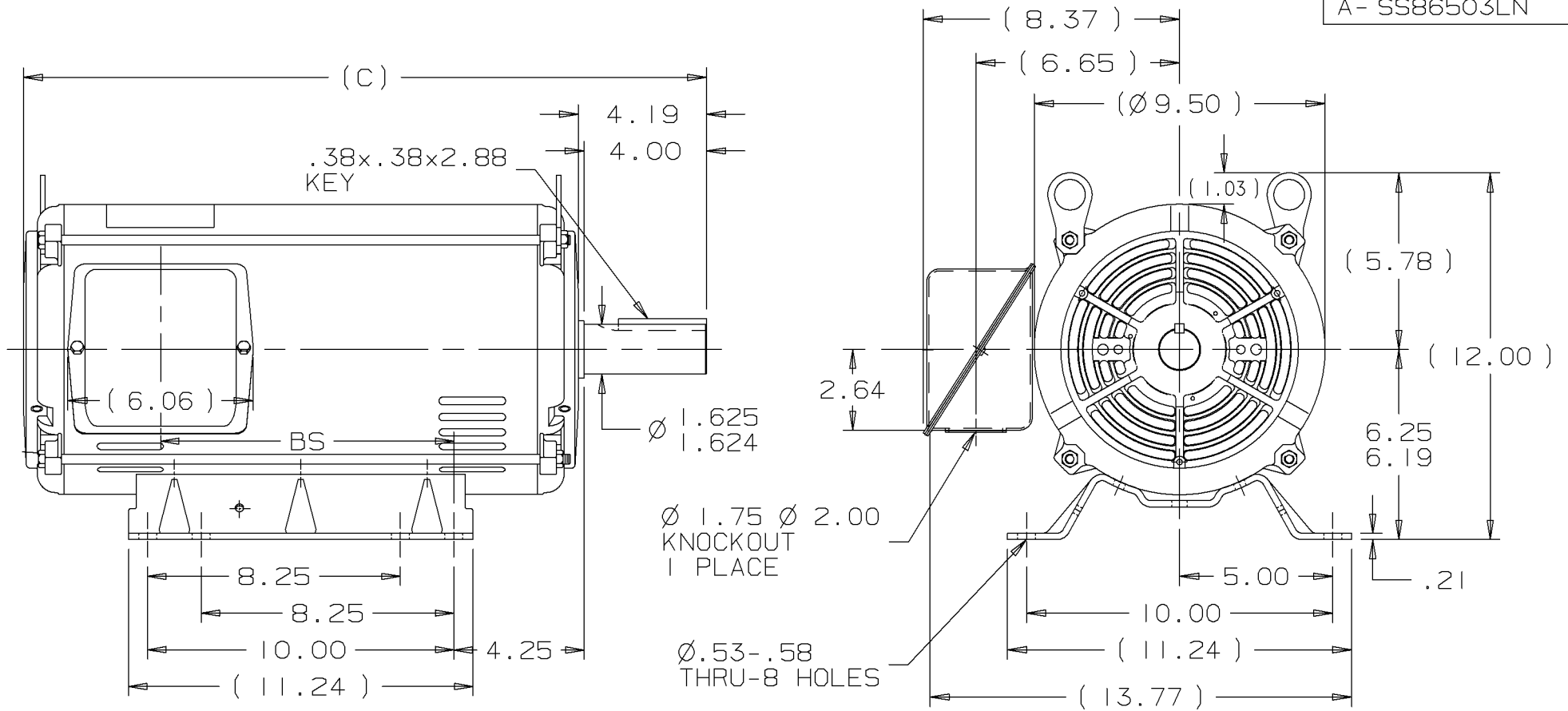


Nameplate Specifications

Phase	3	Output HP	25 & 30 Hp
Output KW	18.7 & 22.4 kW	Voltage	200 & 200 V
Speed	3520 & 3520 rpm	Service Factor	1.0 & 1.0
Frame	256T	Enclosure	Drip Proof
Thermal Protection	No Protection	Efficiency	91 & 90.2 %
Ambient Temperature	40 °C	Frequency	60 & 60 Hz
Current	66.5 & 80 A	Power Factor	88.3
Duty	120/80 Starts/Hour	Insulation Class	F
Design Code	INV	KVA Code	E
Drive End Bearing Size	309	Opp Drive End Bearing Size	208
UL	Recognized	CSA	Y
CE	Y	IP Code	12
Number of Speeds	1		

Technical Specifications


Electrical Type	Squirrel Cage Induction Run	Starting Method	Wye Start Delta Run
Poles	2	Rotation	Reversible
Resistance Main	.365 Ohms	Mounting	Rigid Base
Motor Orientation	Horizontal	Drive End Bearing	Ball
Opp Drive End Bearing	Ball	Frame Material	Rolled Steel
Shaft Type	T	Overall Length	22.32 in
Frame Length	15.45 in	Shaft Diameter	1.625 in
Shaft Extension	4 in	Assembly/Box Mounting	F1/F2 CAPABLE
Connection Drawing	EE7340-LN	Outline Drawing	SS86503LN-1545



DASH	FR.	C	BS	MOUNTING
1370	254T	20.57	7.68	F1 OR F2
1545	254T/256T	22.32	9.43	F1 OR F2

NOTES:

1. NAMEPLATE TO BE READ FROM C'BOX SIDE OF MOTOR.
2. BOX CAN BE MOUNTED IN 90° STEPS.
3. BOX CAN BE MOUNTED ON OPPOSITE SIDE BY REMOVING BRACKETS AND TURNING FRAME 180°. (EXCEPT AS NOTED.)
4. F2 MOUNT -USES 2ND HOLE ON 1370 FRAME.

						UNLESS OTHERWISE SPECIFIED DIMENSIONS ARE IN INCHES TOL. ON XX±.02 XXX±.005 XXXX±.0005 ANGLES± 7'30"	
2	01-31-2000	UPDATED CONDUIT BOX PER	CN 28427	TJB			MAX. SURFACE ROUGHNESS UNLESS OTHERWISE NOTED
					FINISH		DRAWN BY TRB 07-20-1999
1	07-20-1999	NEW DRAWING		TRB	MATERIAL		CHKD BY ML 07-20-1999 APPD BY GK 07-20-1999
					PART NAME OUTLINE		DRWG NO
REV	DATE	CHANGE		NAME	250 FR. - BB - DR.PR.		A-SS86503LN

L PURCHASED

CADD FILE NO.

SS86503LN

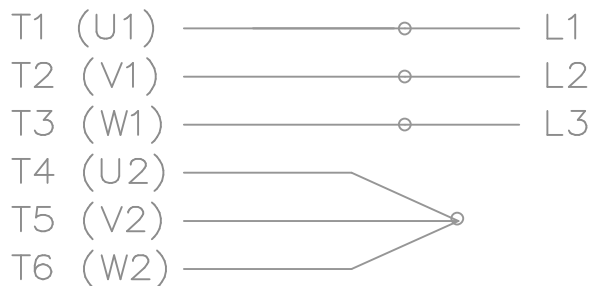
ERROR: syntaxerror
OFFENDING COMMAND: --nostringval--

STACK:

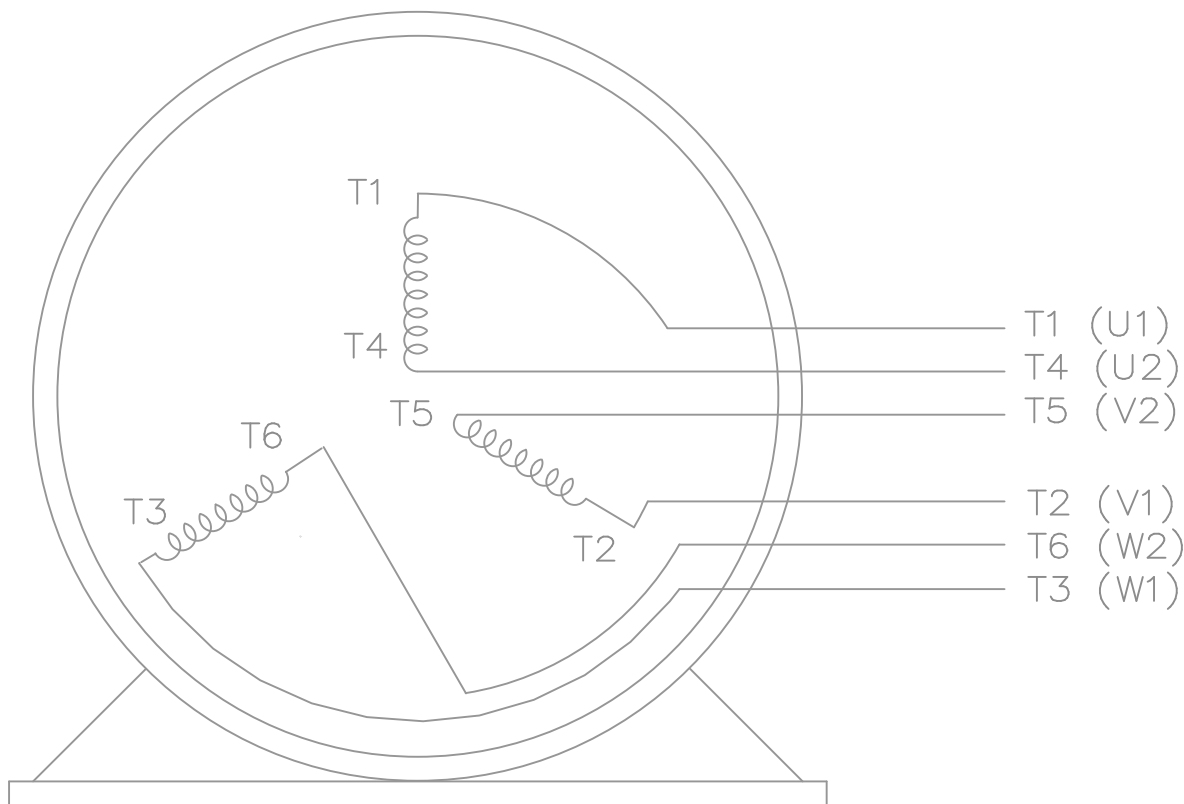
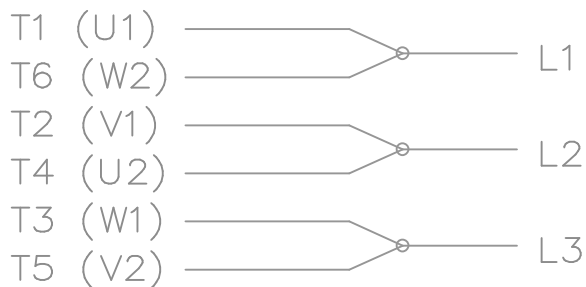
/RS
-dictionary-
/Pscript_WinNT_Compat
-dictionary-

THREE PHASE – Y START
Δ RUN MOTOR

START




RUN



VIEW OF TERMINAL END

NOTE:
IEC LEAD MARKINGS ARE NOTED
IN PARENTHESES

T6CK
T6BM
T4CC
T2DL
T4C

				TOLERANCES UNLESS SPECIFIED			DRAWN BLR 10-04-1999		
				DEC.	INCHES		CHK DRS 10-04-1999		
				.X	±.1		APPD TB 10-04-1999		
3	REVISED TO MATCH M.E. ORIGINAL	TAT 07-25-2005	ML	.XX	±.02	TITLE CONNECTION DIAGRAM 3Ø – WYE START DELTA RUN	SCALE 1=1		
2	REVISED DRAWING MISTAKE CN 29200-2980	ERH 05-15-2003	ML	.XXX	±.005		REF		
1	NEW DRAWING	BLR 10-09-1999		.XXXX	±.0005	MAT'L.	FMF		
NO.	REVISION	BY & DATE	CHK	ANG	±7'30"	FINISH	PREV		
THIS DRAWING IN DESIGN AND DETAIL IS OUR PROPERTY AND MUST NOT BE USED EXCEPT IN CONNECTION WITH OUR WORK ALL RIGHTS OF DESIGN AND INVENTION ARE RESERVED THIS IS AN ELECTRONICALLY GENERATED DOCUMENT – DO NOT SCALE THIS PRINT				RFP	CAD FILE ee7340_In		SIZE	DRAWING NO. PAGE OF	REV.
				DIST	WA-LB-SB		A	EE7340-LN	3

Data Sheet

Date: 1/30/2018

LM30097



Data @ **200 V**

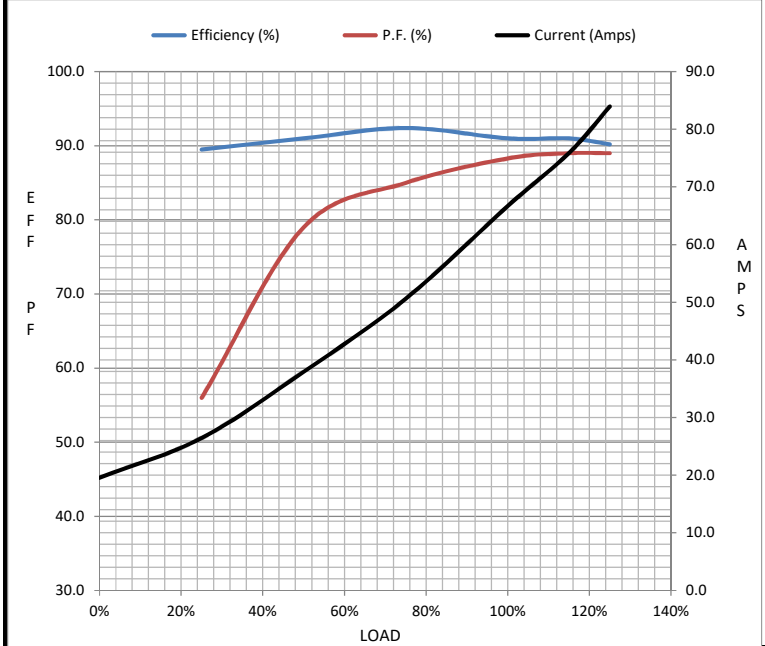
Motor Load Data

Load	0%	25%	50%	75%	100%	115%	125%	LR
Current (Amps)	19.6	26.5	38.0	50.6	66.7	75.9	84.0	419
Torque (ft-lb)	0.00	9.2	18.5	28.0	37.5	43.0	47.0	72.0
RPM	3600	3580	3565	3545	3520	3,510	3500	0
Efficiency (%)		89.5	91.0	92.4	91.0	91.0	90.2	
P.F. (%)	6.0	56.0	79.0	85.0	88.3	89.0	89.0	41.5

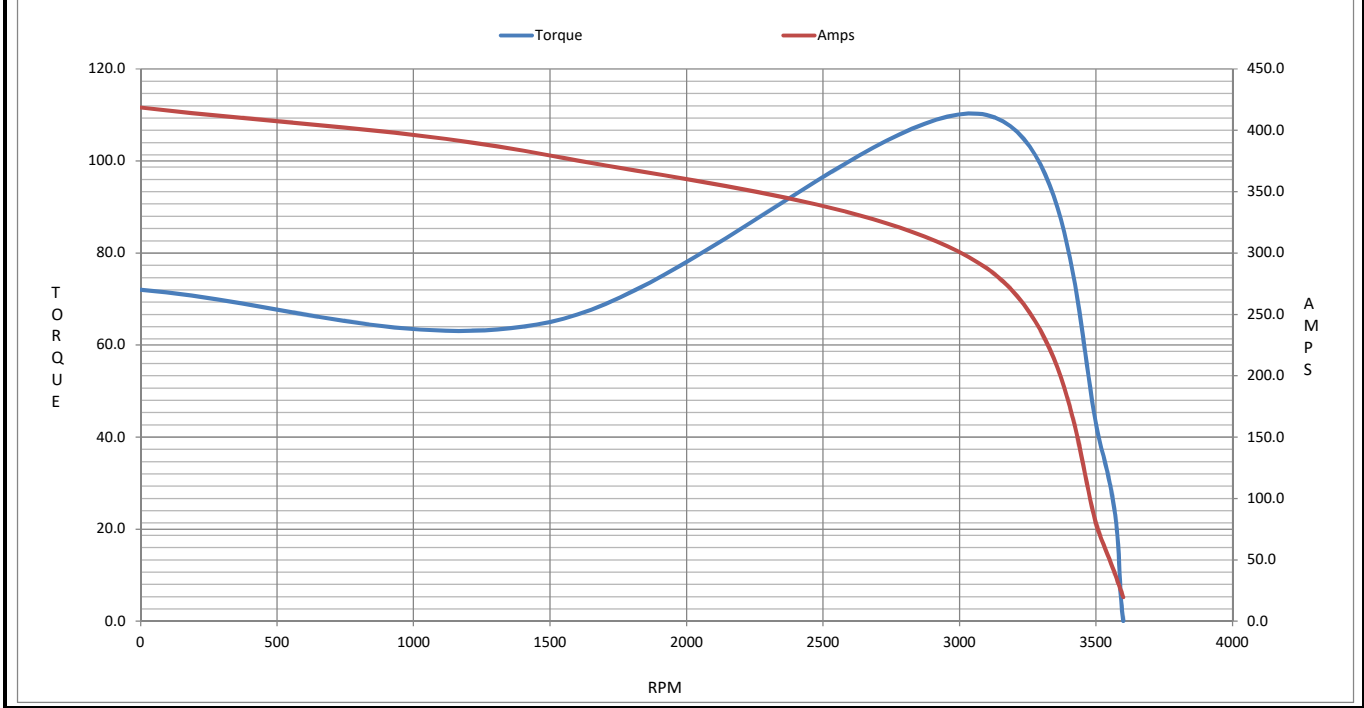
Motor Speed Data

	LR	Pull-Up	BD	Rated	Idle
Speed (RPM)	0	1500	3100	3520	3600
Current (Amps)	419	380	288	66.7	19.6
Torque (ft-lb)	72.0	65.0	110	37.5	0.00

Information Block				
HP	25.0			
Sync. RPM	3600			
Frame	256			
Enclosure	DP			
Construction	TDX			
Voltage	200#200 V			
Frequency	60 Hz			
Design	A			
LR Code letter	G			
Service Factor	1.15			
Temp Rise @ FL	55 °C			
Duty	60 MIN			
Ambient	40 °C			
Elevation	1,000 feet			
Rotor/Shaft wk ²	0.75 Lb-Ft ²			
Ref Wdg	K2152192 R3			
Sound Pressure @ 1M	78 dBA			
VFD Rating	NONE			
Outline Dwg	A-SS86503LN-1545			
Conn. Diag	A-EE7340-LN			
Additional Specifications:				
0				
0				
EQUIV CKT (OHMS / PHASE)				
R1	R2	X1	X2	Xm
0.0110	0.0090	0.0390	0.0450	1.3530



Speed - Torque Curve



EC Declaration of Conformity

The undersigned representing
the manufacturer:

Regal Beloit America
100 East Randolph St.
Wausau, WI 54401

and the authorized representative
established within the Community:

Marathon Electric UK
6F Thistleton Road Ind. Estate
Market Overton
Oakham, Rutland LE15 7PP UK

are committed to providing customers with products that comply with applicable regulations and international protocols to which they are subject, including the requirements of the European Parliament Directive on the Harmonization of the laws relating to electrical equipment designed for use within certain voltage limits (2014/35/EU).

Regal Beloit America declares that the following product(s), to which this declaration relates, are in conformity with the relevant sections of the EC standards listed below.

This statement supersedes any statements previously issued pertaining to the product(s) listed below and is subject to change without notice.

Model No : LM30097

(Model No. may contain prefix and/or suffix characters)

Catalog No : LM30097

Rework No : N/A

Directives :

Low Voltage Directive 2014/35/EU

Harmonized Standards Used :

EN 60034-1: 2010 (IEC 60034-1: 2010)

EN 60034-5: 2001/A1:2007 (IEC 60034-5: 2000/A1:2006)

Authorized Representative:



Michael A. Logsdon
Vice President, Technology

Authorized Representative in the Community:



Julian Clark
Marketing Engineer

Created on 09/01/2022

CE 22