

# PRODUCT INFORMATION PACKET



Model No: LM29852  
Catalog No: LM29852

Elevator Duty Motor, 30 & 40 HP, 3 Ph, 60 & 60 Hz, 200 & 200 V, 1800 & 1800 RPM, 286T Frame, DP



Regal and Leeson are trademarks of Regal Rexnord Corporation or one of its affiliated companies.  
©2023 Regal Rexnord Corporation, All Rights Reserved. MC017097E



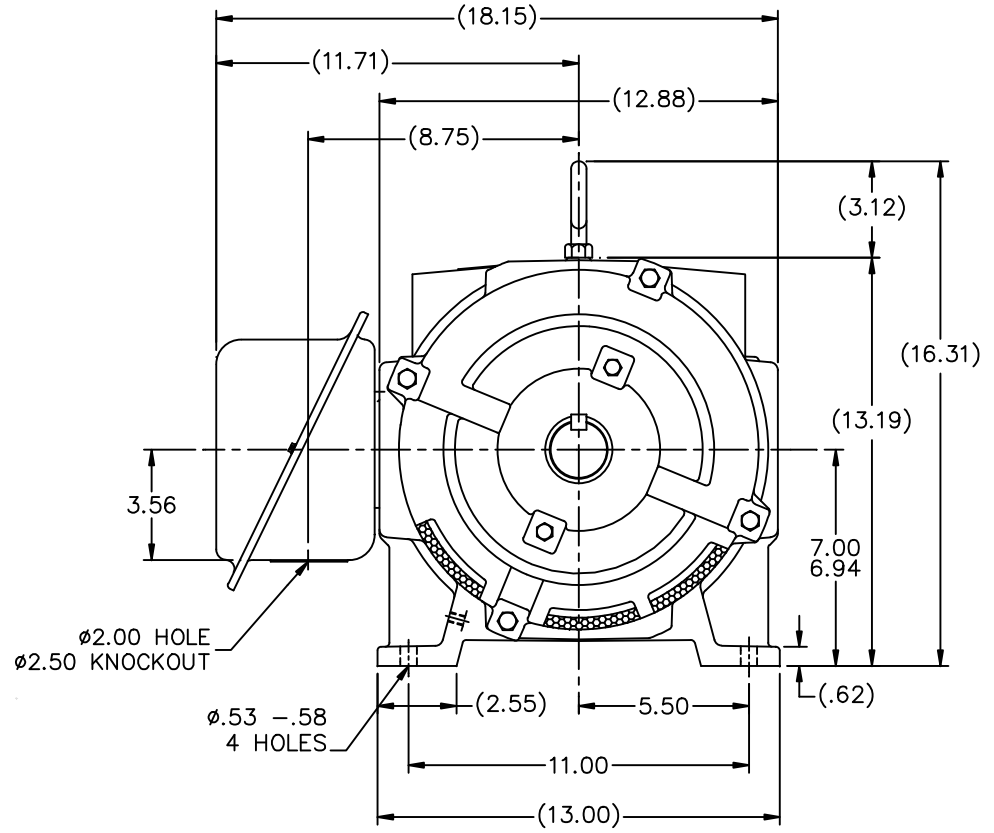
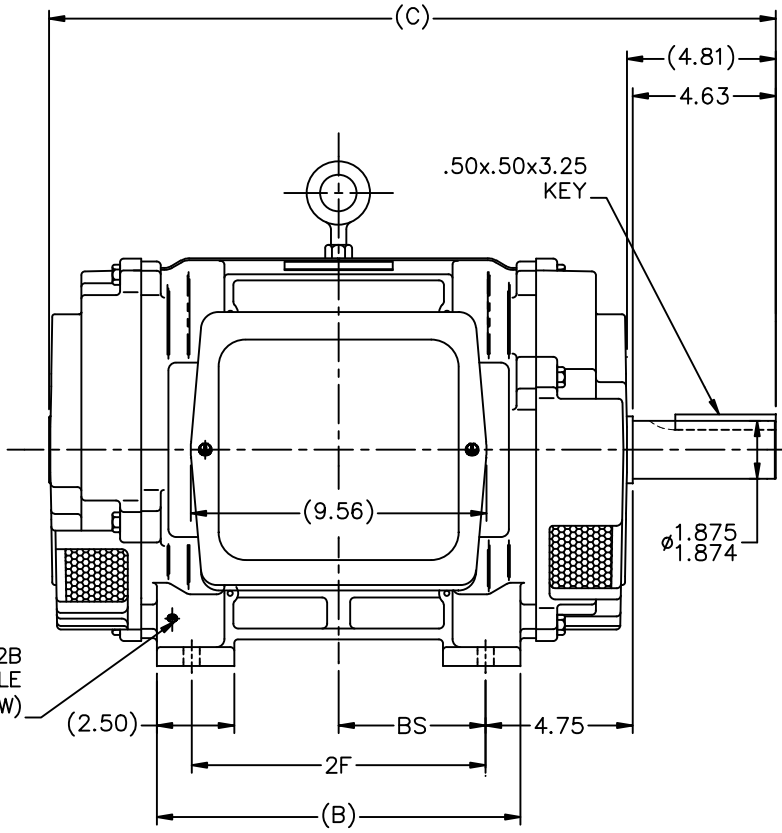


### Nameplate Specifications

Phase	3	Output HP	30 & 40 Hp
Output KW	22.4 & 30.0 kW	Voltage	200 & 200 V
Speed	1770 & 1770 rpm	Service Factor	1.0 & 1.0
Frame	286T	Enclosure	Drip Proof
Thermal Protection	No Protection	Efficiency	92.4 & 91.7 %
Ambient Temperature	40 °C	Frequency	60 & 60 Hz
Current	83 & 112 A	Power Factor	84
Duty	120/80 Starts/Hour	Insulation Class	F
Design Code	INV	KVA Code	D
Drive End Bearing Size	311	Opp Drive End Bearing Size	210
UL	Recognized	CSA	Y
CE	Y	IP Code	12
Number of Speeds	1		

### Technical Specifications

Electrical Type	Squirrel Cage Induction Run	Starting Method	Wye Start Delta Run
Poles	4	Rotation	Reversible
Resistance Main	.295 Ohms	Mounting	Rigid Base
Motor Orientation	Horizontal	Drive End Bearing	Ball
Opp Drive End Bearing	Ball	Frame Material	Cast Iron
Shaft Type	T	Overall Length	24.99 in
Frame Length	14.25 in	Shaft Diameter	1.875 in
Shaft Extension	4.63 in	Assembly/Box Mounting	F1/F2 CAPABLE
Connection Drawing	EE7340-LN	Outline Drawing	SS200030LN-1425



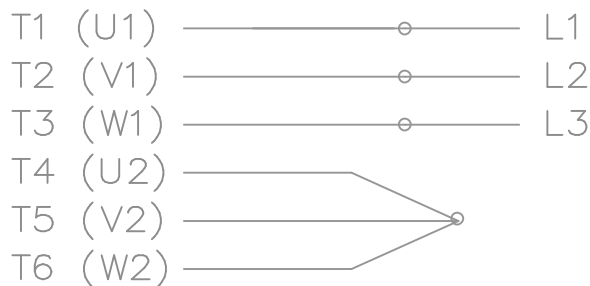
- NOTES
1. BOX CAN BE ROTATED IN 90° STEPS
  2. BOX CAN BE MOUNTED ON OPPOSITE SIDE BY REMOVING BRACKETS AND TURNING FRAME 180°
  3. NAMEPLATE TO BE READ FROM CONDUIT BOX SIDE OF MOTOR

DASH	FRAME	B	C	2F	BS
1275	284T	11.75	23.49	9.50	4.75
1425	286T	13.25	24.99	11.00	5.50

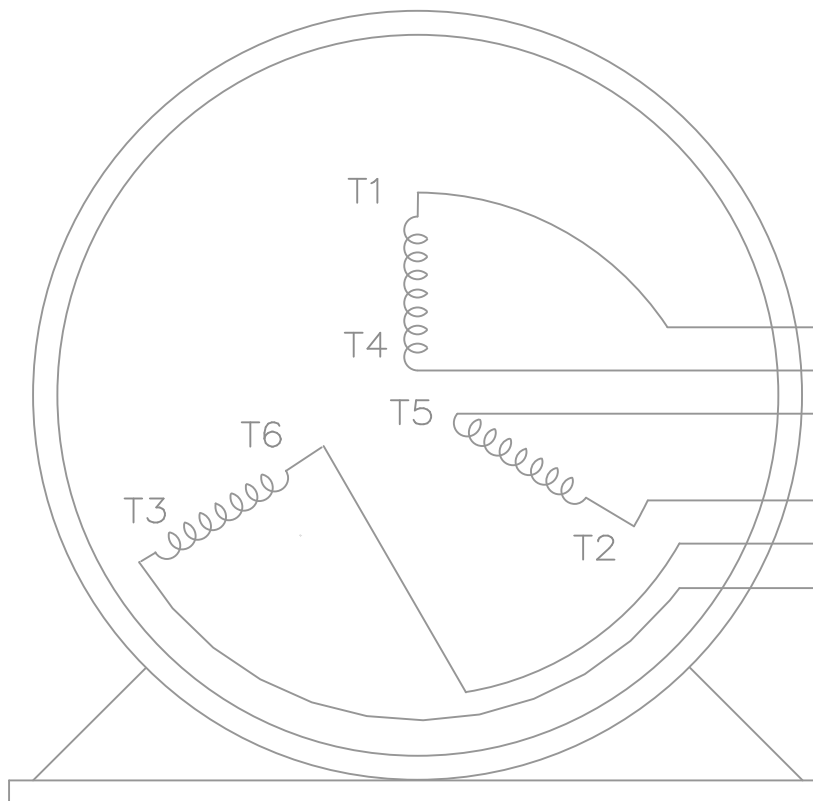
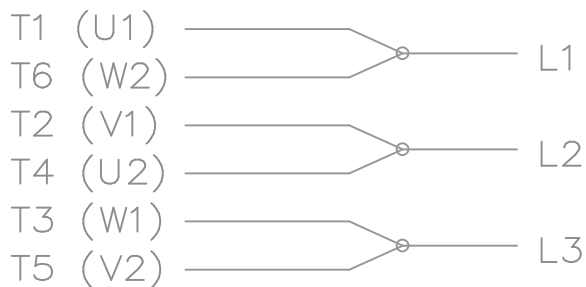
		TOLERANCES UNLESS SPECIFIED		Lincoln MOTOR		DRAWN CTO 12-12-2003	
		DEC.	INCHES			CHK	ML 12-12-2003
		.X	±.1			APPD	BW 12-12-2003
		.XX	±.03	TITLE OUTLINE - DR.PR. - CAST IRON		SCALE	1=4
		.XXX	±.005	280T FR. - BB - TS - DBL. END VENT.		REF	
		.XXXX	±.0005	MAT'L		FMF	MU49135
		CHK	ANG ±7'30"	FINISH		PREV	
NO.		REVISION	BY & DATE	RFP	12-12-2003	CAD FILE	ss200030ln
THIS DRAWING IN DESIGN AND DETAIL IS OUR PROPERTY AND MUST NOT BE USED EXCEPT IN CONNECTION WITH OUR WORK ALL RIGHTS OF DESIGN AND INVENTION ARE RESERVED THIS IS AN ELECTRONICALLY GENERATED DOCUMENT - DO NOT SCALE THIS PRINT				DIST	LB	SIZE	DRAWING NO. PAGE OF REV.
				B		SS200030LN	2

THREE PHASE – Y START  
Δ RUN MOTOR

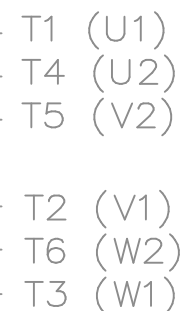
START



RUN




VIEW OF TERMINAL END



T6CK  
T6BM  
T4CC  
T2DL  
T4C

NOTE:  
IEC LEAD MARKINGS ARE NOTED  
IN PARENTHESES

			TOLERANCES UNLESS SPECIFIED			DRAWN BLR 10-04-1999			
			DEC.	INCHES		CHK DRS 10-04-1999			
			.X	±.1		APPD TB 10-04-1999			
3	REVISED TO MATCH M.E. ORIGINAL	TAT 07-25-2005	ML	.XX	±.02	TITLE CONNECTION DIAGRAM	SCALE 1=1		
2	REVISED DRAWING MISTAKE CN 29200-2980	ERH 05-15-2003	ML	.XXX	±.005	3Ø – WYE START DELTA RUN	REF		
1	NEW DRAWING	BLR 10-09-1999		.XXXX	±.0005	MAT'L.	FMF		
NO.	REVISION	BY & DATE	CHK	ANG	±7'30"	FINISH	PREV		
THIS DRAWING IN DESIGN AND DETAIL IS OUR PROPERTY AND MUST NOT BE USED EXCEPT IN CONNECTION WITH OUR WORK ALL RIGHTS OF DESIGN AND INVENTION ARE RESERVED THIS IS AN ELECTRONICALLY GENERATED DOCUMENT – DO NOT SCALE THIS PRINT			RFP	CAD FILE ee7340_In		SIZE A	DRAWING NO. EE7340-LN	PAGE OF 3	REV. 3
			DIST	WA-LB-SB					



2100 WASHINGTON ST.  
GRAFTON, WI  
PH. 262-277-8810

CONN. DIAGRAM: A-EE7340-LN

CATALOG #: LM29852

OUTLINE: B-SS200030LN-1425

WINDING #: K2564229 R5 3

MOUNTING: F1/F2 CAPABLE

**TYPICAL MOTOR PERFORMANCE DATA**

HP	kW	SYNC. RPM	F.L. RPM	FRAME	ENCLOSURE	KVA CODE	DESIGN
30&40	22.4&30.0	1800	1770&1770	286T	DP	D	INV

PH	Hz	VOLTS	AMPS	START TYPE	DUTY	INSL	S.F.	AMB°C
3	60/60	200&200	83&112	WYE START DELTA RUN	120/80 STARTS/HOUR	F3	1.0/1.0	40

FULL LOAD EFF:	92.4&91.7	3/4 LOAD EFF:	93	1/2 LOAD EFF:	92.4	GTD. EFF		ELEC. TYPE	
FULL LOAD PF:	84&85	3/4 LOAD PF:	81	1/2 LOAD PF:	73.5	91		SQ CAGE IND RUN	

F.L. TORQUE	LOCKED ROTOR AMPS	L.R. TORQUE	B.D. TORQUE	F.L. RISE°C
89 LB-FT	494.5	160 LB-FT 180 %	225 LB-FT 253 %	65

SOUND PRESSURE @ 3 FT.	SOUND POWER	ROTOR WK^2	MAX. WK^2	SAFE STALL TIME	STARTS / HOUR	APPROX. MOTOR WGT
72 dBA	82 dBA	3.3 LB-FT^2	- LB-FT^2	20 SEC.	-	400 LBS.

\*\*\* SUPPLEMENTAL INFORMATION \*\*\*

DE BRACKET TYPE	ODE BRACKET TYPE	MOUNT TYPE	ORIENTATION	SEVERE DUTY	HAZARDOUS LOCATION	DRIP COVER	SCREENS	PAINT
STANDARD	STANDARD	RIGID	HORIZONTAL	FALSE	NONE	FALSE	NONE	GRAY - LINCOLN

BEARINGS		GREASE	SHAFT TYPE	SPECIAL DE	SPECIAL ODE	SHAFT MATERIAL	FRAME MATERIAL
DE	ODE						
BALL	BALL	POLYREX EM	T	NONE	NONE	1045 HOT ROLLED (C-204)	CAST IRON
311	210						

THERMO-PROTECTORS				THERMISTORS	CONTROL	SPACE HEATERS
THERMOSTATS	PROTECTORS	WDG RTDs	BRG RTDs			
NONE	NOT	NONE	NONE	NONE	FALSE	NONE VOLTS

\*  
N  
O  
T  
E  
S  
\*

<b>INVERTER TORQUE:</b> NONE
<b>INV. HP SPEED RANGE:</b> NONE
<b>ENCODER:</b> NONE NONE NONE NONE NONE PPR
<b>BRAKE:</b> NONE NONE NONE P/N NONE NONE NONE NONE FT-LB NONE V NONE Hz

Data Sheet

Date: 1/19/2018

LM29852



Data @ **200 V**

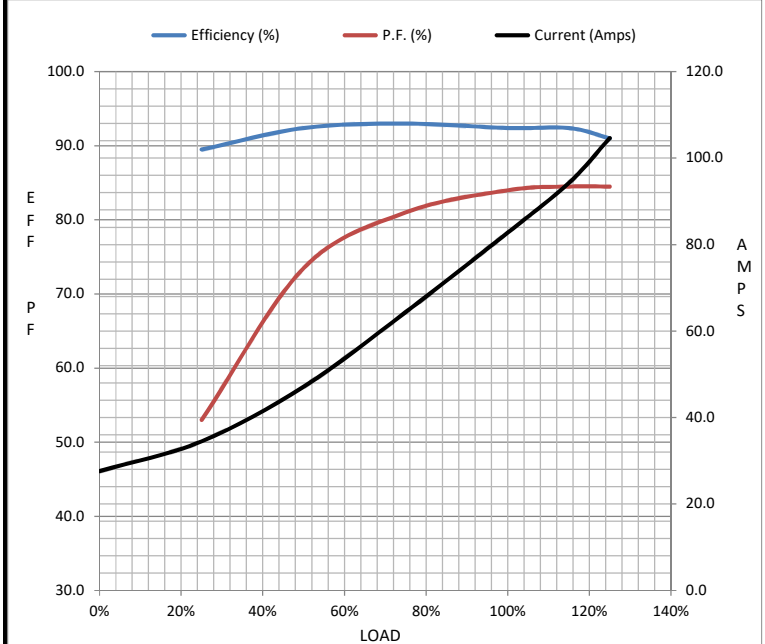
Motor Load Data

Load	0%	25%	50%	75%	100%	115%	125%	LR
Current (Amps)	27.6	34.5	47.2	64.4	82.8	94.3	105	495
Torque (ft-lb)	0.00	22.0	44.5	66.5	89.0	102	112	160
RPM	1800	1795	1785	1780	1770	1,765	1760	0
Efficiency (%)		89.5	92.4	93.0	92.4	92.4	91.0	
P.F. (%)	6.0	53.0	73.5	81.0	84.0	84.5	84.5	39.0

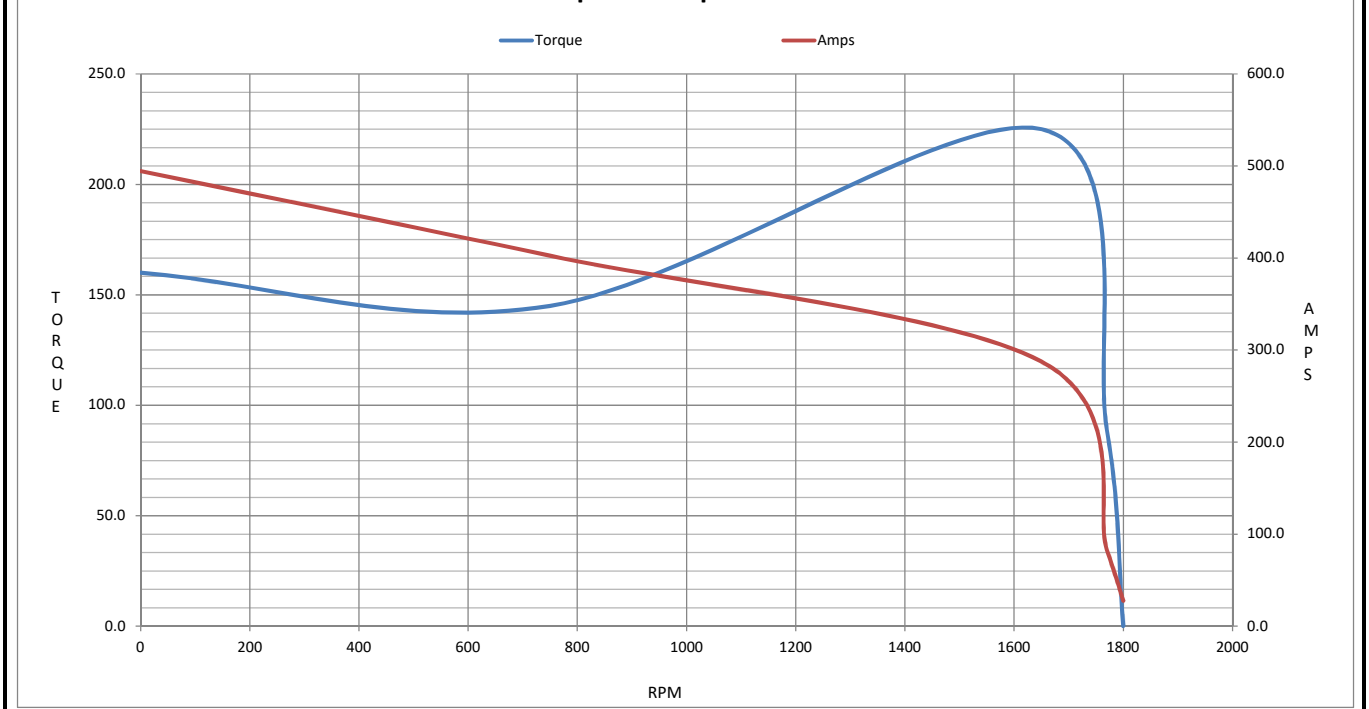
Motor Speed Data

	LR	Pull-Up	BD	Rated	Idle
Speed (RPM)	0	750	1650	1770	1800
Current (Amps)	495	403	288	82.8	27.6
Torque (ft-lb)	160	145	225	89.0	0.00

Information Block				
HP	30.0			
Sync. RPM	1800			
Frame	286			
Enclosure	DP			
Construction	TDP			
Voltage	200#200 V			
Frequency	60 Hz			
Design	B			
LR Code letter	G			
Service Factor	1.15			
Temp Rise @ FL	65 °C			
Duty	60 MIN			
Ambient	40 °C			
Elevation	1,000 feet			
Rotor/Shaft wk <sup>2</sup>	3.3 Lb-Ft <sup>2</sup>			
Ref Wdg	K2564229 R5			
Sound Pressure @ 1M	72 dBA			
VFD Rating	NONE			
Outline Dwg	B-SS200030LN-1425			
Conn. Diag	A-EE7340-LN			
Additional Specifications:				
0				
0				
EQUIV CKT (OHMS / PHASE)				
R1	R2	X1	X2	Xm
0.0320	0.0260	0.1440	0.2340	4.0240



Speed - Torque Curve



## EC Declaration of Conformity

The undersigned representing  
the manufacturer:

Regal Beloit America  
100 East Randolph St.  
Wausau, WI 54401

and the authorized representative  
established within the Community:

Marathon Electric UK  
6F Thistleton Road Ind. Estate  
Market Overton  
Oakham, Rutland LE15 7PP UK

are committed to providing customers with products that comply with applicable regulations and international protocols to which they are subject, including the requirements of the European Parliament Directive on the Harmonization of the laws relating to electrical equipment designed for use within certain voltage limits (2014/35/EU).

Regal Beloit America declares that the following product(s), to which this declaration relates, are in conformity with the relevant sections of the EC standards listed below.

This statement supersedes any statements previously issued pertaining to the product(s) listed below and is subject to change without notice.

Model No : LM29852

(Model No. may contain prefix and/or suffix characters)

Catalog No : LM29852

Rework No : N/A

Directives :

Low Voltage Directive 2014/35/EU

Harmonized Standards Used :

EN 60034-1: 2010 (IEC 60034-1: 2010)

EN 60034-5: 2001/A1:2007 (IEC 60034-5: 2000/A1:2006)

Authorized Representative:



Michael A. Logsdon  
Vice President, Technology

Authorized Representative in the Community:



Julian Clark  
Marketing Engineer

Created on 09/01/2022

**CE 22**