

PRODUCT INFORMATION PACKET



Model No: LM29157
Catalog No: LM29157
10,3600,DP,215T,1/60/208-230

Regal and Leeson are trademarks of Regal Rexnord Corporation or one of its affiliated companies.
©2023 Regal Rexnord Corporation, All Rights Reserved. MC017097E





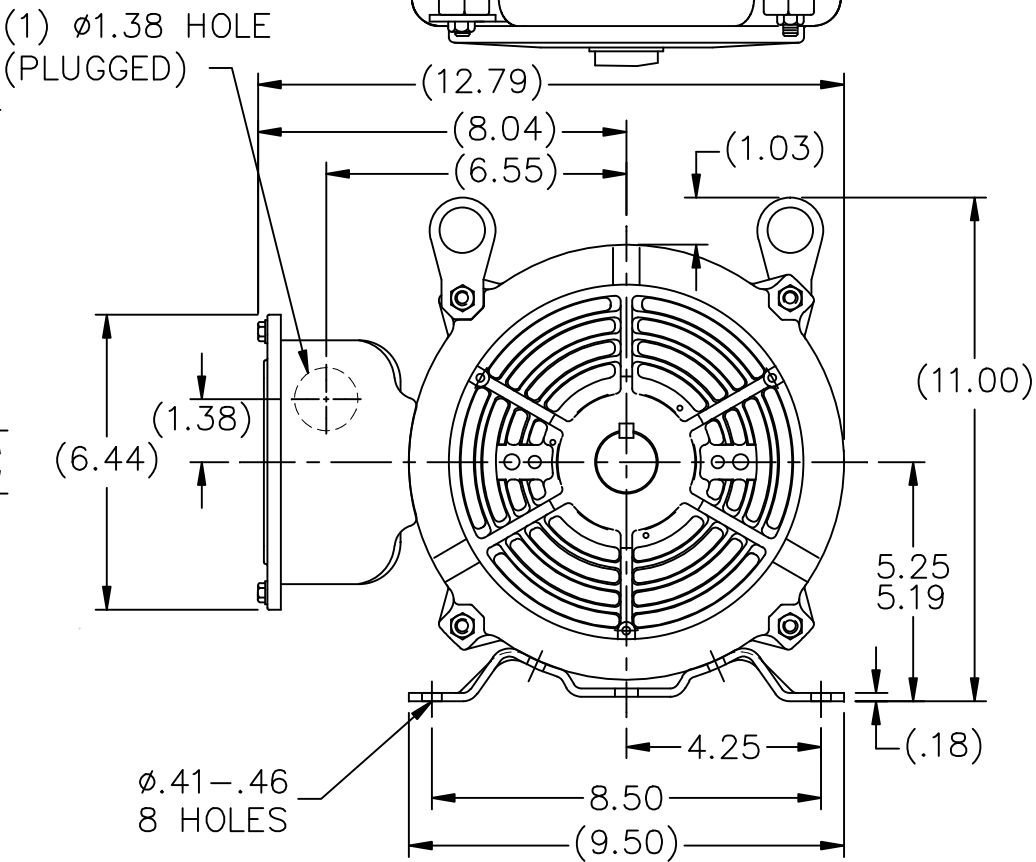
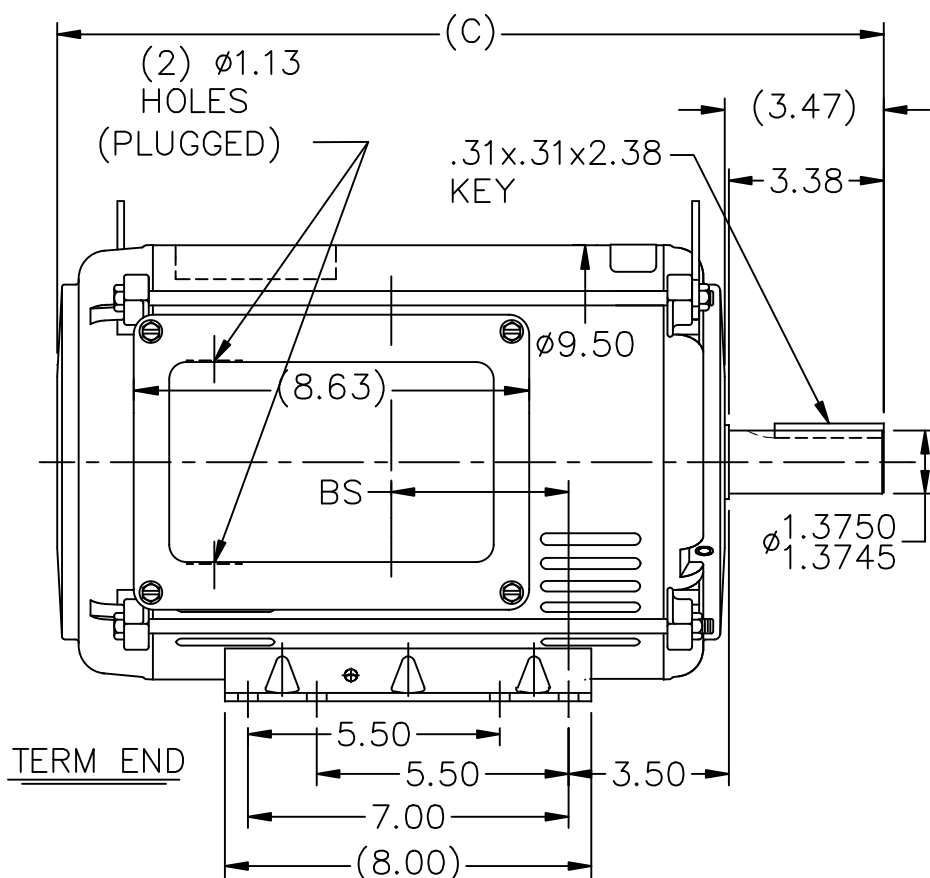
Nameplate Specifications

Phase	1	Output HP	10 Hp
Output KW	7.5 kW	Voltage	208-230 V
Speed	3495 rpm	Service Factor	1.15
Frame	215T	Enclosure	Drip Proof
Thermal Protection	No Protection	Efficiency	82.5 %
Ambient Temperature	40 °C	Frequency	60 Hz
Current	50.0-46.0 A	Power Factor	83.5
Duty	Continuous	Insulation Class	F
Design Code	L	KVA Code	G
Drive End Bearing Size	307	Opp Drive End Bearing Size	206
UL	Recognized	CSA	Y
CE	N	IP Code	22
Number of Speeds	1		

Technical Specifications


Electrical Type	Capacitor Start Induction Run	Starting Method	Across The Line
Poles	2	Rotation	Selective Counterclockwise
Resistance Main	0 Ohms	Mounting	Rigid Base
Motor Orientation	Horizontal	Drive End Bearing	Ball
Opp Drive End Bearing	Ball	Frame Material	Rolled Steel
Shaft Type	T	Shaft Diameter	1.375 in
Assembly/Box Mounting	F1 ONLY		
Outline Drawing	037642LN-1115	Connection Drawing	A-EE7090JR-LN

This is an uncontrolled document once printed or downloaded and is subject to change without notice. Date Created:08/24/2023

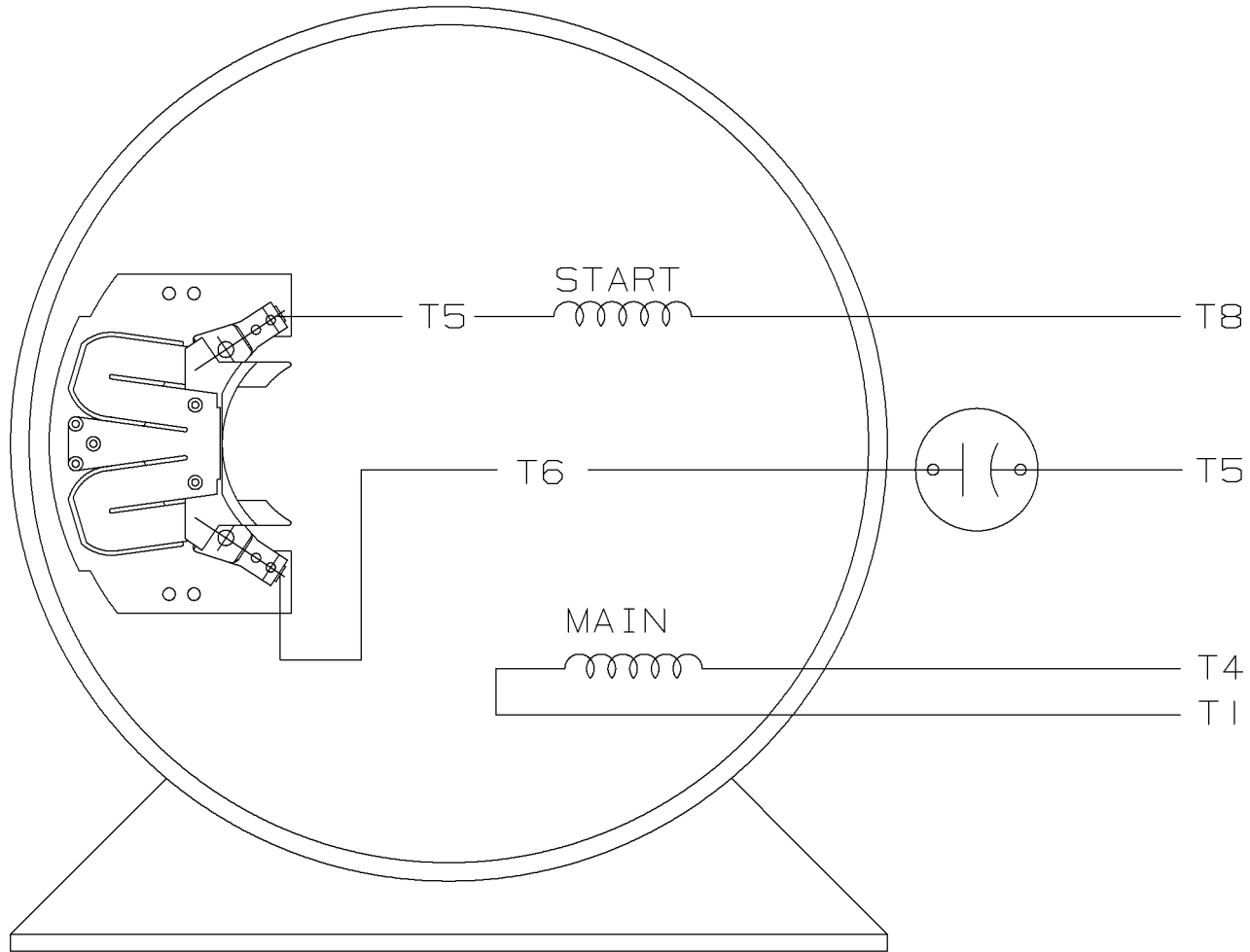
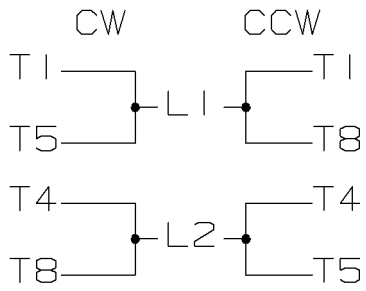


DASH	FR.	C	BS
965	213T	16.55	2.45
1115	213/15T	18.05	3.95
1240	213/15T	19.30	5.20


NOTES:
 1. NAMEPLATE TO BE READ FROM C'BOX SIDE OF MOTOR.

				TOLERANCES UNLESS SPECIFIED			DRAWN GRB 11/14/08	
				DEC.	INCHES		CHK SK 11/14/08	APPD
				.X	$\pm .1$	TITLE OUTLINE - 210T DP - RIGID - STD	SCALE 1=4.2	
				.XX	$\pm .03$		REF SS86561LN	
				.XXX	$\pm .005$		FMF	
				.XXXX	$\pm .0005$		PREV	
01	DESCRIPTION CHANGED TO DP - RIGID- STD.		AK 02/22/10	CHK	ANG	FINISH		
NO.	REVISION		BY & DATE	RFP		CAD FILE 037642LN	SIZE A	
THIS DRAWING IN DESIGN AND DETAIL IS OUR PROPERTY AND MUST NOT BE USED EXCEPT IN CONNECTION WITH OUR WORK ALL RIGHTS OF DESIGN AND INVENTION ARE RESERVED THIS IS AN ELECTRONICALLY GENERATED DOCUMENT - DO NOT SCALE THIS PRINT				DIST LB		DRAWING NO. 037642LN	PAGE 1 OF 1	
							REV. 01	

SINGLE VOLTAGE CAPACITOR START MOTOR, ELECTRICALLY REVERSIBLE



VIEW OF TERMINAL END

					✓ UNLESS OTHERWISE SPECIFIED DIMENSIONS ARE IN INCHES TOL. ON XX± .02 XXX± .005 XXXX± .0005 ANGLES± 7'30"					
					MAX. SURFACE ROUGHNESS UNLESS OTHERWISE NOTED			DRAWN BY DAH	06-01-2001	
					FINISH			CHKD BY ML	06-01-2001	
					MATERIAL			APPD BY DR	06-01-2001	
REV	DATE	CHANGE	NAME	PART NAME CONNECTION DIAGRAM					DRWG NO A- EE7090JR-LN	
				PURCHASED DISTRIBUTION WA - LB - WP - LN - BY CADD FILE NO.					EE7090JRLN	