

PRODUCT INFORMATION PACKET

Model No: LM29046

Catalog No: LM29046

General Purpose Motor, 10 HP, 1 Ph, 60 Hz, 208-230 V, 3600 RPM, 215T Frame, TEFC

Regal and are trademarks of Regal Rexnord Corporation or one of its affiliated companies.
©2022 Regal Rexnord Corporation, All Rights Reserved. MC017097E



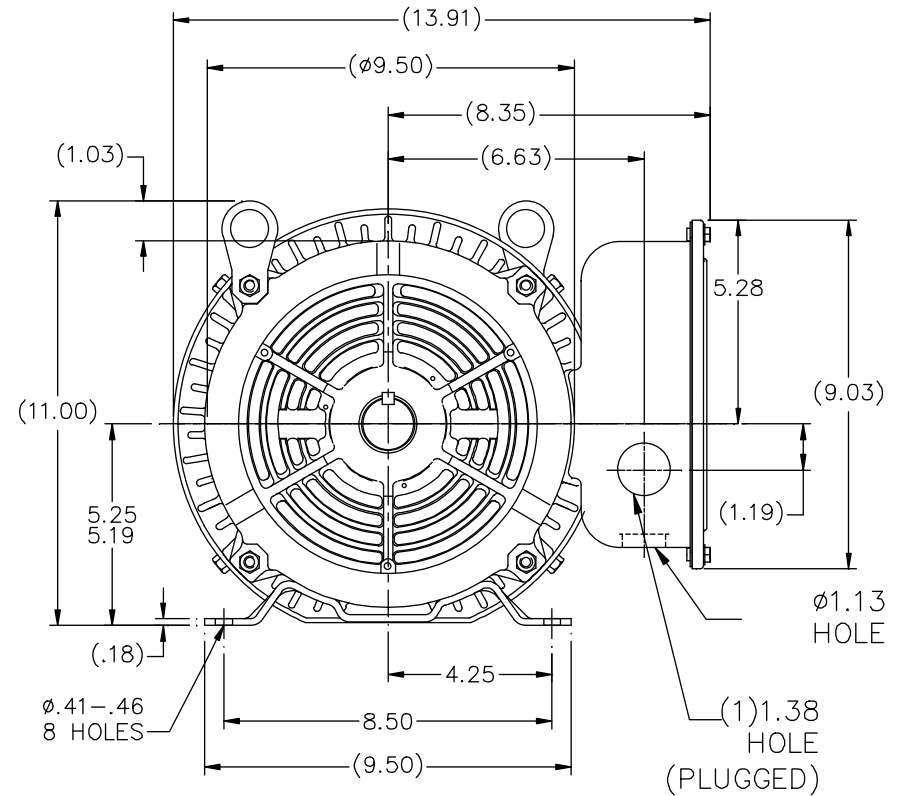
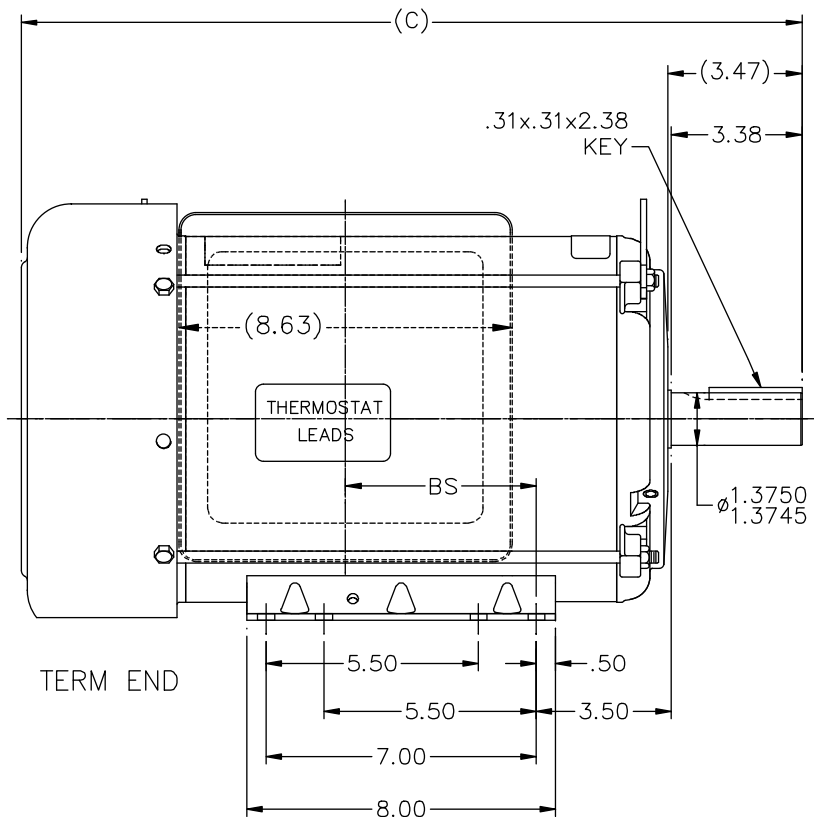
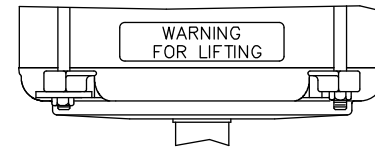
Nameplate Specifications

Output HP	10 Hp	Output KW	7.5 kW
Frequency	60 Hz	Voltage	208-230 V
Current	44.0-41.5 A	Speed	3500 rpm
Service Factor	1	Phase	1
Efficiency	85.5 %	Power Factor	93.5
Duty	Continuous	Insulation Class	F
Design Code	L	KVA Code	G
Frame	215T	Enclosure	Totally Enclosed Fan Cooled
Thermal Protection	Thermostat	Ambient Temperature	40 °C
Drive End Bearing Size	307	Opp Drive End Bearing Size	206
UL	Recognized	CSA	Y
IP Code	43	Number of Speeds	1

Technical Specifications

Electrical Type	Capacitor Start Capacitor Run	Starting Method	Across The Line
Poles	2	Rotation	Selective Counterclockwise
Resistance Main	0 Ohms	Mounting	Rigid Base
Motor Orientation	Horizontal	Drive End Bearing	Ball
Opp Drive End Bearing	Ball	Frame Material	Rolled Steel
Shaft Type	T	Shaft Diameter	1.375 in
Assembly/Box Mounting	F2 ONLY		
Connection Drawing	A-EE9048RF-LN	Outline Drawing	037655LN-1115

This is an uncontrolled document once printed or downloaded and is subject to change without notice. Date Created:10/26/2022

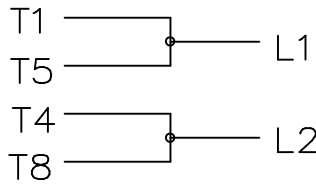


NOTES:
1. NAMEPLATE TO BE READ FROM C'BOX SIDE OF MOTOR.

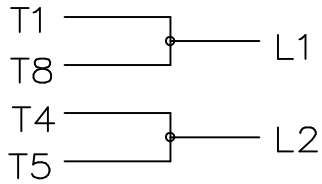
DASH	FRAME	C	BS
965	213T	18.73	3.45
1115	213/5T	20.23	4.95
1240	215T	21.48	6.20

		TOLERANCES UNLESS SPECIFIED		Lincoln MOTORS		DRAWN ST 04-17-2009	
		DEC.	INCHES			CHK	
		.X	±.1			APPD	
		.XX	±.03	TITLE OUTLINE - STEEL C'BOX		SCALE 5=16	
		.XXX	±.005	210T FR. - TEFC - 1Ø		REF SS88364	
1	C'BOX CHANGED PER ISAAC 11-3641	NB	8/5/2011	AJ	.XXXX ±.0005	MAT'L	
NO.	REVISION	BY & DATE	CHK	ANG	FINISH	PREV	
		THIS DRAWING IN DESIGN AND DETAIL IS OUR PROPERTY AND MUST NOT BE USED EXCEPT IN CONNECTION WITH OUR WORK ALL RIGHTS OF DESIGN AND INVENTION ARE RESERVED THIS IS AN ELECTRONICALLY GENERATED DOCUMENT - DO NOT SCALE THIS PRINT		RFP	CAD FILE 037655LN	SIZE	DRAWING NO. PAGE OF REV.
				DIST	LM	B	037655LN 1

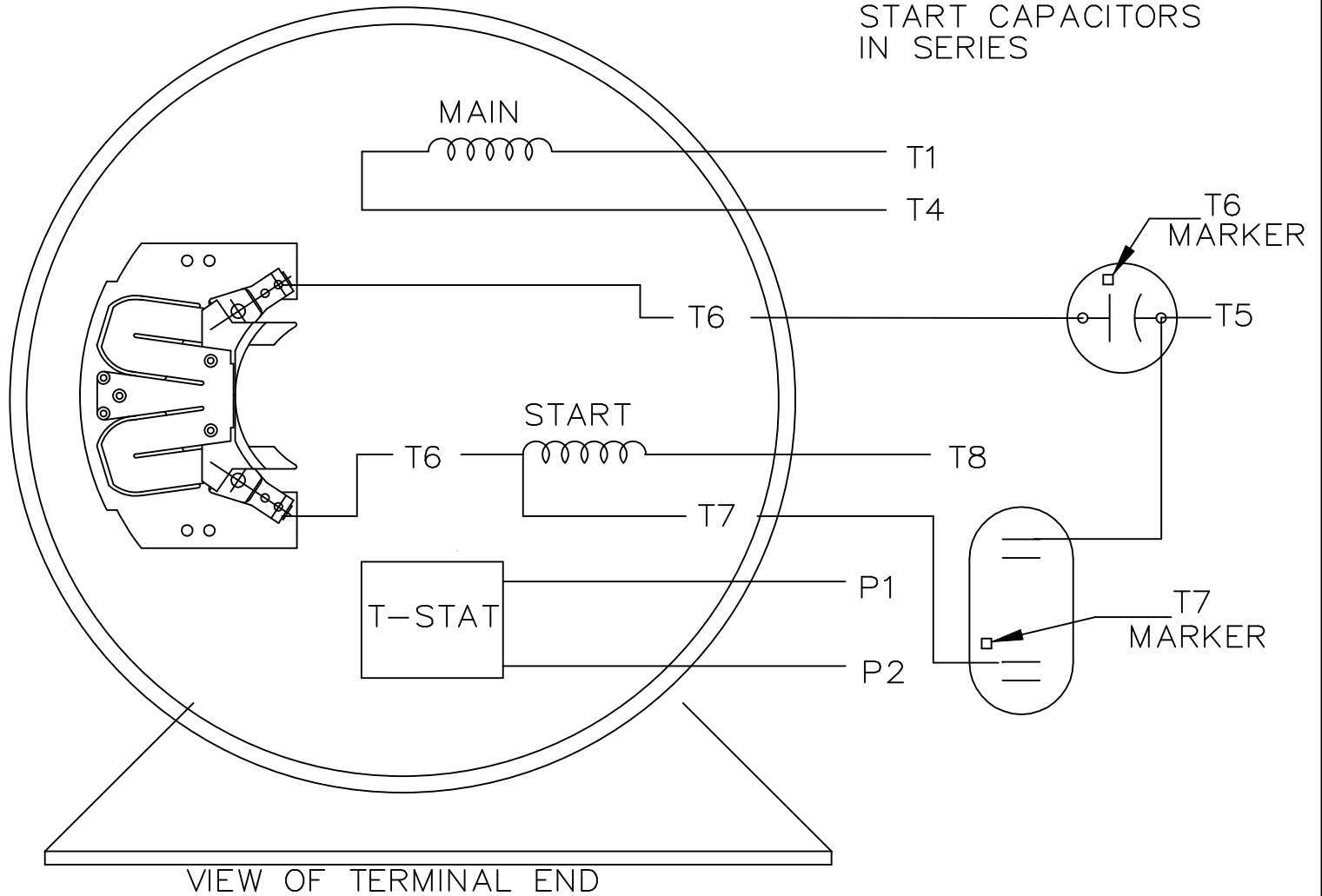
C.W. ROTATION




C.C.W. ROTATION



CONNECT:
START CAPACITORS
IN SERIES



SINGLE VOLTAGE
CAPACITOR START
CAPACITOR RUN
REVERSIBLE

			TOLERANCES UNLESS SPECIFIED			DRAWN				
			DEC.	INCHES		KA	12/3/2009			
			.X	±.1	TITLE CONNECTION DIAGRAM	CHK				
			.XX	±.02		APPD	KA	12/3/2009		
			.XXX	±.005		SCALE	1=1			
			.XXXX	±.0005		REF				
			ANG	±7'30"		MAT'L.	FMF	LM29046		
NO.	REVISION	BY & DATE	CHK	ANG	FINISH	PREV				
THIS DRAWING IN DESIGN AND DETAIL IS OUR PROPERTY AND MUST NOT BE USED EXCEPT IN CONNECTION WITH OUR WORK ALL RIGHTS OF DESIGN AND INVENTION ARE RESERVED THIS IS AN ELECTRONICALLY GENERATED DOCUMENT - DO NOT SCALE THIS PRINT			RFP	CAD FILE EE9048RF-LN		SIZE	DRAWING NO.	PAGE	OF	REV.
			DIST			A	EE9048RF-LN			