

PRODUCT INFORMATION PACKET



Model No: LM28968
Catalog No: LM28968

General Purpose Motor, 7.50 HP, 3 Ph, 60 Hz, 230/460 V, 3600 RPM, 213T Frame, TEFC



Regal and Leeson are trademarks of Regal Rexnord Corporation or one of its affiliated companies.
©2022 Regal Rexnord Corporation, All Rights Reserved. MC017097E



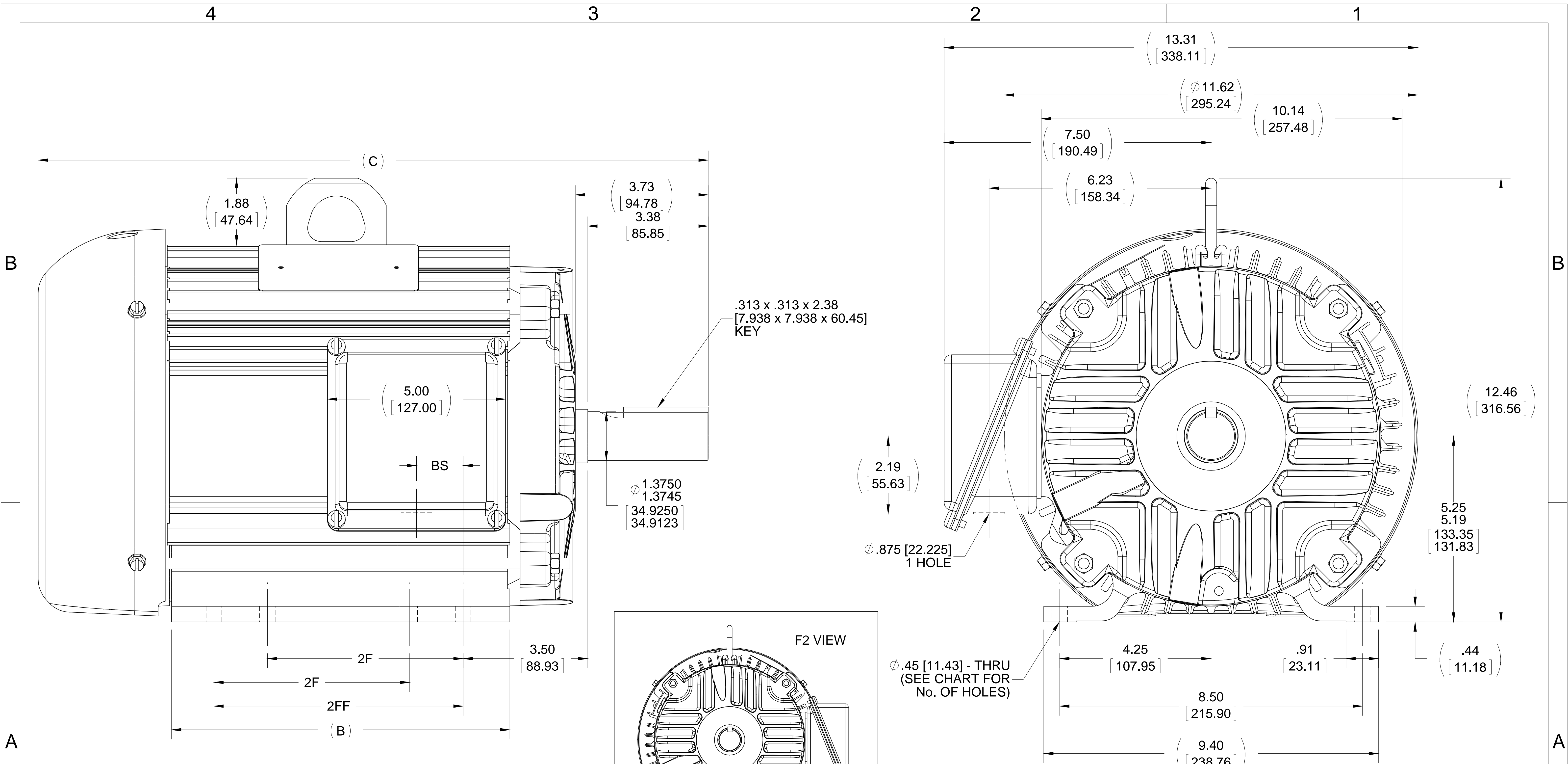


Nameplate Specifications

Output HP	7.50 Hp	Output KW	5.6 kW
Frequency	60 Hz	Voltage	230/460 V
Current	17.8/8.9 A	Speed	3540 rpm
Service Factor	1.25	Phase	3
Efficiency	90.2 %	Power Factor	87
Duty	Continuous	Insulation Class	F
Design Code	B	KVA Code	H
Frame	213T	Enclosure	Totally Enclosed Fan Cooled
Thermal Protection	No Protection	Ambient Temperature	40 °C
Drive End Bearing Size	6208	Opp Drive End Bearing Size	6206
UL	Recognized	CSA	Y
CE	Y	IP Code	43
Number of Speeds	1		

Technical Specifications

Electrical Type	Squirrel Cage Induction Run	Starting Method	Across The Line
Poles	2	Rotation	Reversible
Resistance Main	1.163 Ohms	Mounting	Rigid Base
Motor Orientation	Horizontal	Drive End Bearing	Ball
Opp Drive End Bearing	Ball	Frame Material	Aluminum
Shaft Type	T	Overall Length	18.84 in
Frame Length	9.50 in	Shaft Diameter	1.375 in
Shaft Extension	3.38 in	Assembly/Box Mounting	F1/F2 CAPABLE
Connection Drawing	EE7308-LN	Outline Drawing	SS330100LN-950



NOTES:
 1- BOX CAN BE ROTATED IN 90° STEPS.
 2- NAMEPLATE TO BE READ FROM C'BOX SIDE OF MOTOR.

DASH	FRAME	B	C	2F	2FF	BS	F1/F2	No. OF MTG HOLES
800	213T	8.12 [206.25]	17.34 [440.44]	5.50 [139.70]	---	1.33 [33.76]	NO	4
950	213/5T	9.62 [244.35]	18.84 [478.54]	5.50 [139.70]	7.00 [177.80]	1.33 [33.76]	YES	8
1050	215T	10.62 [269.75]	19.84 [503.94]	7.00 [177.80]	8.00 [203.20]	1.33 [33.76]	YES	8

DRAWING REVISION E
 ECO ECO-0073312
 ECO DESCRIPTION
 UPDATED TO CURRENT STANDARDS
 COPYRIGHT REGAL BELOIT AMERICA, INC. ALL RIGHTS RESERVED. PROPRIETARY AND CONFIDENTIAL INFORMATION - THIS DOCUMENT IS THE PROPERTY OF REGAL BELOIT AMERICA, INC. ("OWNER") AND CONTAINS OWNER'S PROPRIETARY INFORMATION. ANY PERSON, CORPORATION OR OTHER FIRM RECEIVING IT IS DEEMED, BY RECEIVING IT, TO AGREE THAT IT, AND/OR ANY PART OF IT, SHALL NOT BE DISCLOSED TO ANY PERSON, CORPORATION OR OTHER ENTITY, DUPLICATED, AND/OR USED, EXCEPT AS EXPRESSLY APPROVED IN WRITING IN ADVANCE BY OWNER. THIS DOCUMENT SHALL BE RETURNED TO OWNER UPON REQUEST. IT MAY BE SUBJECT TO CERTAIN RESTRICTIONS UNDER APPLICABLE EXPORT CONTROL LAWS AND REGULATIONS.

REVISION BY JHA
 APPROVED BY DJK
 DATE 04-13-2015
 DATE 04-14-2015

TOLERANCES UNLESS OTHERWISE SPECIFIED:
 DEC. INCH mm ANGLE
 .X ±0.1 [±2.5] ±7° 30"
 .XX ±0.03 [±0.76]
 .XXX ±0.005 [±0.127]
 .XXXX ±0.0005 [±0.0127]
 REMOVE BURRS & BREAK SHARP EDGES: .003/.015 [0.076/.381] X 45°
 CORNER FILLETS: R.02 [0.51]
 MACHINED SURFACES: 200 INCH mm 5.1
 mm SHOWN IN [BRACKETS]

DRAWN BY MJK
 DATE 04-20-2004
 APPROVED BY JPL
 DATE 04-20-2004
 REFERENCE
 THIRD ANGLE PROJECTION

REGAL™ Regal Beloit America, Inc.

DESCRIPTION
OUTLINE
 210T FR - ALUM FR - TEFC

MATERIAL PROCESS/FINISH

SIZE B DRAWING NUMBER **SS330100LN** SHEET 1 OF 1

THREE PHASE
DUAL VOLTAGE MOTOR

HIGH VOLTAGE



LOW VOLTAGE



VIEW OF TERMINAL END

REF.
WINDING DIAGRAM

T8Y, T2Y, T2BL, T4BX, T2EC, T2G
T6BZ, T2B, T6BL, T4AV, T6B, T4B

OPTIONAL CORD
CONNECTION

L1 — WHITE
L2 — RED
L3 — BLACK

NO.	REVISION	BY & DATE	CHK	TOLERANCES UNLESS SPECIFIED		FINISH	DRAWN	DATE	SCALE	REV.
				DEC.	INCHES					
				.X	±.1		BLR	06/11/1999		
							ML	06/18/1999		
							GK	06/18/1999		
3	ADDED THE OPTIONAL CORD CONNECTION MU46318	RDH 04/24/2003	DRS	.XX	±.02	TITLE CONNECTION DIAGRAM			1=1	
2	RE-ISSUE, ADDED '-' TO PART NUMBER	BLR 08/09/1999	GK	.XXX	±.005	3∅ - DUAL VOLTAGE MOTOR				
1	NEW DRAWING	BLR 06/18/1999	GK	.XXXX	±.0005	MAT'L.				
				ANG	±7'30"					
			RFP			CAD FILE EE7308LN	SIZE	DRAWING NO.	PAGE	OF
			DIST	WP			A	EE7308-LN		3





2100 WASHINGTON ST.
GRAFTON, WI
PH. 262-277-8810

CERTIFICATION DATA SHEET

CONN. DIAGRAM: A-EE7308-LN
OUTLINE: B-SS330100LN-950
WINDING #: K213269 R4 1

CATALOG : LM28968

MOUNTING: F1/F2 CAPABLE

TYPICAL MOTOR PERFORMANCE DATA

HP	kW	SYNC. RPM	F.L. RPM	FRAME	ENCLOSURE	KVA CODE	DESIGN
7 1/2	5.60	3600	3540	213T	TEFC	H	B

PH	Hz	VOLTS	AMPS	START TYPE	DUTY	INSL	S.F.	AMB°C
3	60	230/460	17.8/8.9	ACROSS THE LINE	CONTINUOUS	F3	1.25	40

FULL LOAD EFF:	90.2	3/4 LOAD EFF:	89.5	1/2 LOAD EFF:	86.5	GTD. EFF		ELEC. TYPE	
FULL LOAD PF:	87	3/4 LOAD PF:	83	1/2 LOAD PF:	74.5	89.5		SQ CAGE IND RUN	

F.L. TORQUE	LOCKED ROTOR AMPS	L.R. TORQUE	B.D. TORQUE	F.L. RISE°C
11.1 LB-FT	127 / 63.5	24 LB-FT 216 %	38 LB-FT 342 %	40

SOUND PRESSURE @ 3 FT.	SOUND POWER	ROTOR WK^2	MAX. WK^2	SAFE STALL TIME	STARTS / HOUR	APPROX. MOTOR WGT
72 dBA	82 dBA	0.6 LB-FT^2	12 LB-FT^2	15 SEC.	2	160 LBS.

***** SUPPLEMENTAL INFORMATION *****

DE BRACKET TYPE	ODE BRACKET TYPE	MOUNT TYPE	ORIENTATION	SEVERE DUTY	HAZARDOUS LOCATION	DRIP COVER	SCREENS	PAINT
STANDARD	STANDARD	RIGID	HORIZONTAL	FALSE	NONE	FALSE	NONE	GRAY (ENAMEL)

BEARINGS		GREASE	SHAFT TYPE	SPECIAL DE	SPECIAL ODE	SHAFT MATERIAL	FRAME MATERIAL
DE	ODE						
BALL	BALL	POLYREX EM	T	NONE	NONE	1045 HOT ROLLED (C-204)	ALUMINUM
6208	6206						

THERMO-PROTECTORS				THERMISTORS	CONTROL	SPACE HEATERS
THERMOSTATS	PROTECTORS	WDG RTDs	BRG RTDs			
NONE	NOT	NONE	NONE	NONE	FALSE	NONE VOLTS

*
N
O
T
E
S

INVERTER TORQUE: NONE
INV. HP SPEED RANGE: NONE
ENCODER: NONE
NONE NONE
NONE NONE PPR
BRAKE: NONE NONE
NONE P/N NONE
NONE NONE
FT-LB NONE V NONE Hz

Data Sheet

Date: 1/31/2018

LM28968



Data @ **460 V**

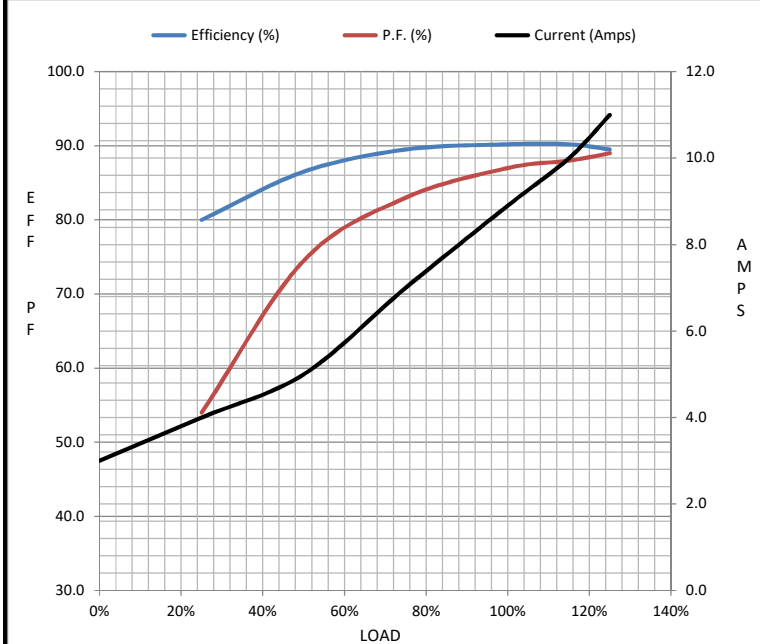
Motor Load Data

Load	0%	25%	50%	75%	100%	115%	125%	LR
Current (Amps)	3.0	4.0	5.0	7.0	8.9	10.0	11.0	63.5
Torque (ft-lb)	0.00	2.50	5.5	8.5	11.1	12.5	14.0	24.0
RPM	3600	3585	3575	3560	3540	3,535	3530	0
Efficiency (%)		80.0	86.5	89.5	90.2	90.2	89.5	
P.F. (%)	9.0	54.0	74.5	83.0	87.0	88.0	89.0	40.0

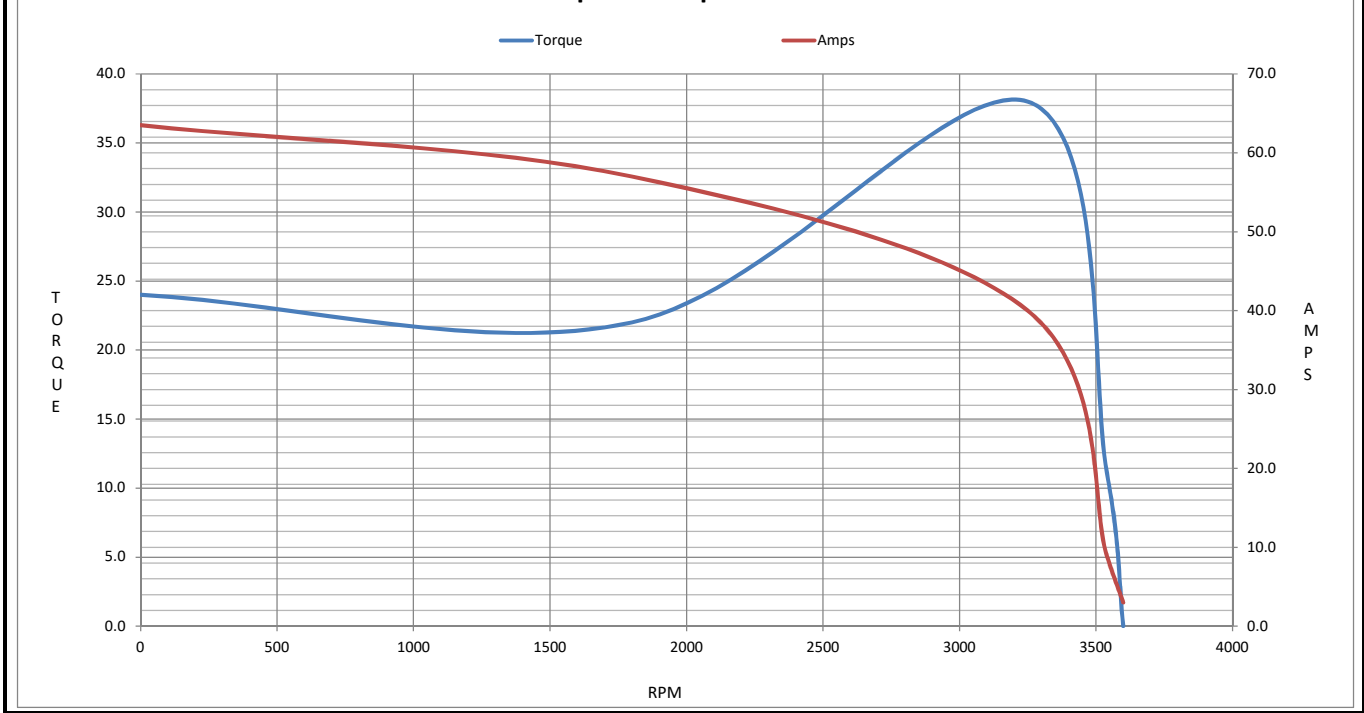
Motor Speed Data

	LR	Pull-Up	BD	Rated	Idle
Speed (RPM)	0	1800	3250	3540	3600
Current (Amps)	63.5	57.0	40.0	8.9	3.0
Torque (ft-lb)	24.0	22.0	38.0	11.1	0.00

Information Block				
HP	7.5			
Sync. RPM	3600			
Frame	213			
Enclosure	TEFC			
Construction	TFL			
Voltage	230/460 V			
Frequency	60 Hz			
Design	A			
LR Code letter	H			
Service Factor	1.15			
Temp Rise @ FL	40 °C			
Duty	CONT			
Ambient	40 °C			
Elevation	1,000 feet			
Rotor/Shaft wk ²	0.60 Lb-Ft ²			
Ref Wdg	K213269 R4			
Sound Pressure @ 1M	72 dBA			
VFD Rating	NONE			
Outline Dwg	B-SS330100LN-950			
Conn. Diag	A-EE7308-LN			
Additional Specifications:				
0				
0				
EQUIV CKT (OHMS / PHASE)				
R1	R2	X1	X2	Xm
0.6880	0.4690	2.2980	2.3930	80.8920



Speed - Torque Curve



EC Declaration of Conformity

The undersigned representing
the manufacturer:

Regal Beloit America
100 East Randolph St.
Wausau, WI 54401

and the authorized representative
established within the Community:

Marathon Electric UK
6F Thistleton Road Ind. Estate
Market Overton
Oakham, Rutland LE15 7PP UK

are committed to providing customers with products that comply with applicable regulations and international protocols to which they are subject, including the requirements of the European Parliament Directive on the Harmonization of the laws relating to electrical equipment designed for use within certain voltage limits (2014/35/EU).

Regal Beloit America declares that the following product(s), to which this declaration relates, are in conformity with the relevant sections of the EC standards listed below.

This statement supersedes any statements previously issued pertaining to the product(s) listed below and is subject to change without notice.

Model No : LM28968

(Model No. may contain prefix and/or suffix characters)

Catalog No : LM28968

Rework No : N/A

Directives :

Low Voltage Directive 2014/35/EU

Harmonized Standards Used :

EN 60034-1: 2010 (IEC 60034-1: 2010)

EN 60034-5: 2001/A1:2007 (IEC 60034-5: 2000/A1:2006)

Authorized Representative:



Michael A. Logsdon
Vice President, Technology

Authorized Representative in the Community:



Julian Clark
Marketing Engineer

Created on 09/01/2022

CE 22