

PRODUCT INFORMATION PACKET



Model No: LM28879

Catalog No: LM28879

Elevator Duty Motor, 20 & 25 HP, 3 Ph, 60 & 60 Hz, 200 & 200 V, 1800 & 1800 RPM, 256T Frame, DP



Regal and Leeson are trademarks of Regal Rexnord Corporation or one of its affiliated companies.

©2023 Regal Rexnord Corporation, All Rights Reserved. MC017097E



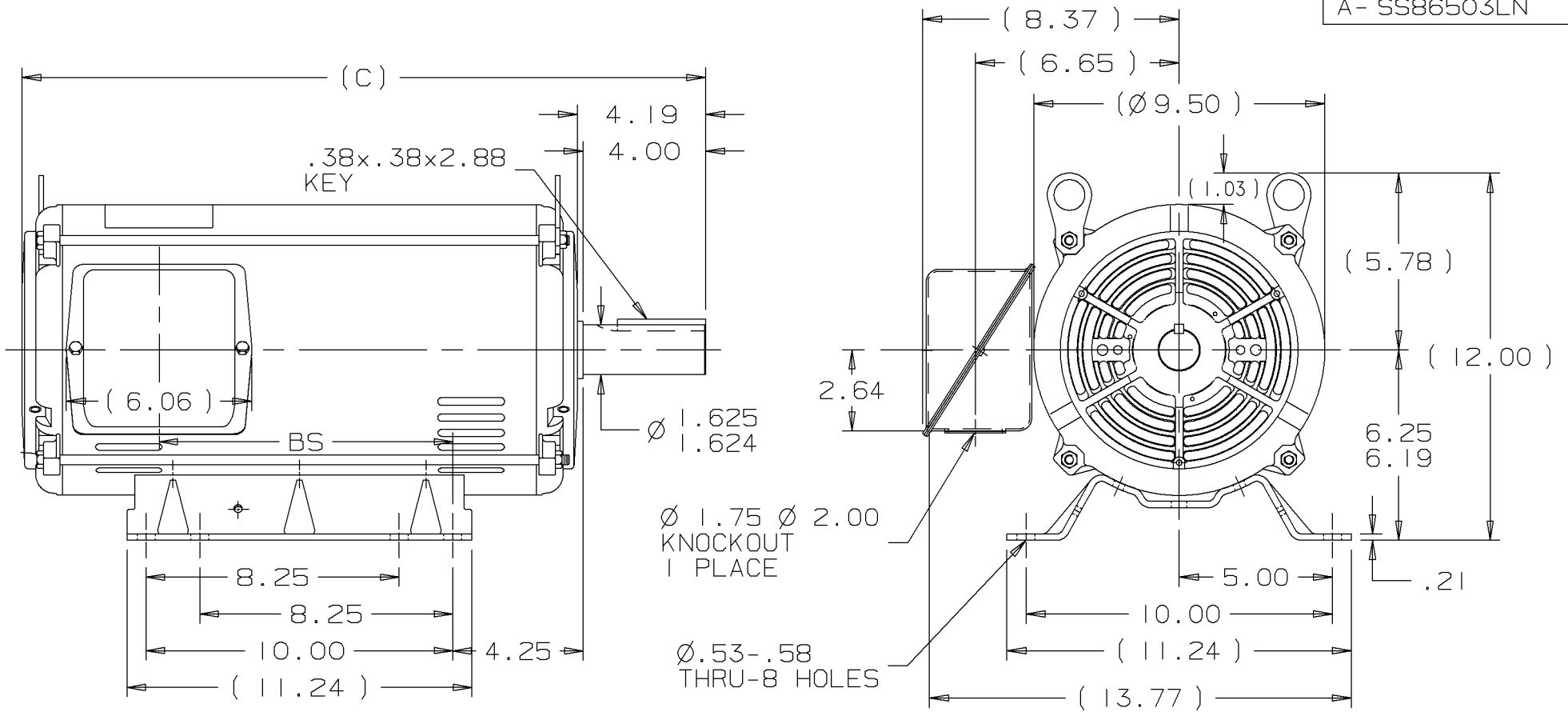


Nameplate Specifications

Phase	3	Output HP	20 & 25 Hp
Output KW	14.9 & 18.7 kW	Voltage	200 & 200 V
Speed	1760 & 1760 rpm	Service Factor	1.0 & 1.0
Frame	256T	Enclosure	Drip Proof
Thermal Protection	No Protection	Efficiency	91 & 90.2 %
Ambient Temperature	40 °C	Frequency	60 & 60 Hz
Current	60 & 73.5 A	Power Factor	79.3
Duty	120/80 Starts/Hour	Insulation Class	F
Design Code	INV	KVA Code	F
Drive End Bearing Size	309	Opp Drive End Bearing Size	208
UL	Recognized	CSA	Y
CE	Y	IP Code	12
Number of Speeds	1		

Technical Specifications

Electrical Type	Squirrel Cage Induction Run	Starting Method	Wye Start Delta Run
Poles	4	Rotation	Reversible
Resistance Main	.428 Ohms	Mounting	Rigid Base
Motor Orientation	Horizontal	Drive End Bearing	Ball
Opp Drive End Bearing	Ball	Frame Material	Rolled Steel
Shaft Type	T	Overall Length	22.32 in
Frame Length	15.45 in	Shaft Diameter	1.625 in
Shaft Extension	4 in	Assembly/Box Mounting	F1/F2 CAPABLE
Connection Drawing	EE7340-LN	Outline Drawing	SS86503LN-1545



DASH	FR.	C	BS	MOUNTING
1370	254T	20.57	7.68	F1 OR F2
1545	254T/256T	22.32	9.43	F1 OR F2

NOTES:

1. NAMEPLATE TO BE READ FROM C'BOX SIDE OF MOTOR.
2. BOX CAN BE MOUNTED IN 90° STEPS.
3. BOX CAN BE MOUNTED ON OPPOSITE SIDE BY REMOVING BRACKETS AND TURNING FRAME 180°. (EXCEPT AS NOTED.)
4. F2 MOUNT -USES 2ND HOLE ON 1370 FRAME.

						UNLESS OTHERWISE SPECIFIED DIMENSIONS ARE IN INCHES TOL. ON XX±.02 XXX±.005 XXXX±.0005 ANGLES± 7'30"	
2	01-31-2000	UPDATED CONDUIT BOX PER	CN 28427	TJB	MAX. SURFACE ROUGHNESS UNLESS OTHERWISE NOTED		DRAWN BY TRB 07-20-1999
					FINISH		CHKD BY ML 07-20-1999
1	07-20-1999	NEW DRAWING		TRB	MATERIAL		APPD BY GK 07-20-1999
REV	DATE	CHANGE		NAME	PART NAME OUTLINE 250 FR. - BB - DR.PR.		DRWG NO A-SS86503LN



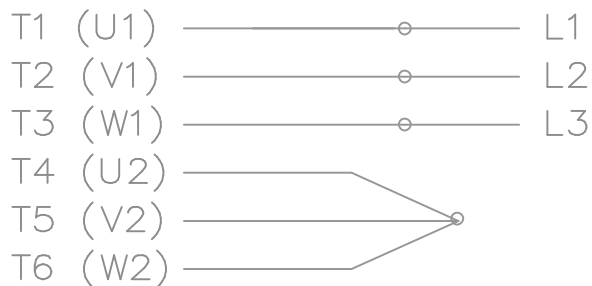
ERROR: syntaxerror
OFFENDING COMMAND: --nostringval--

STACK:

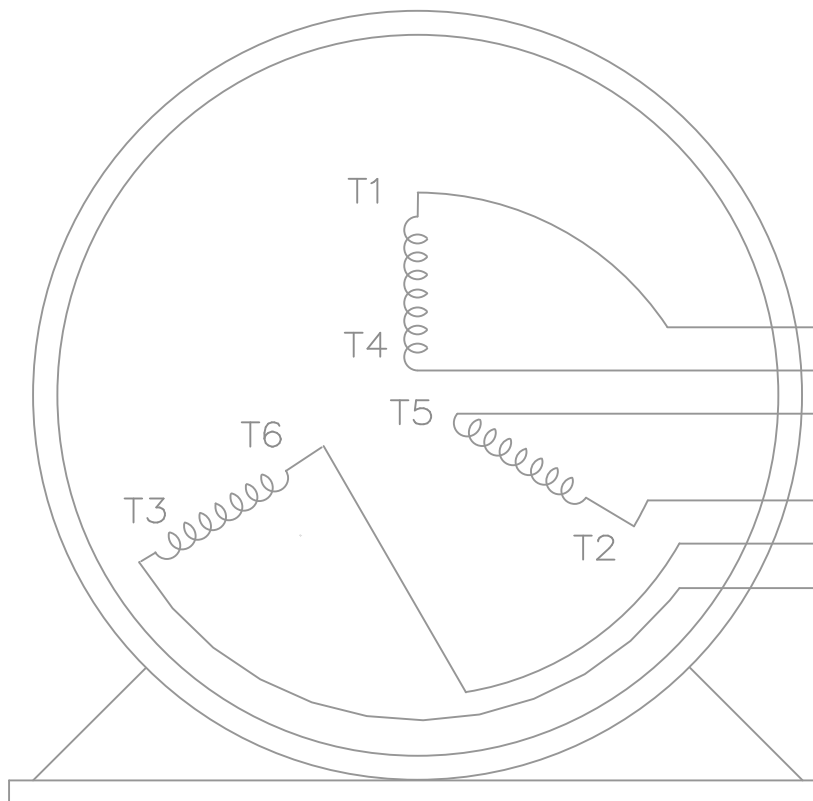
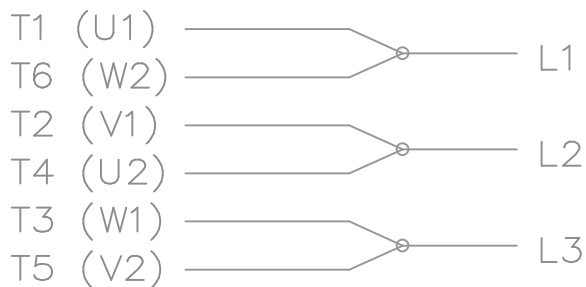
/RS
-dictionary-
/Pscript_WinNT_Compat
-dictionary-

THREE PHASE – Y START
Δ RUN MOTOR

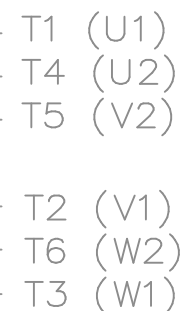
START



RUN




VIEW OF TERMINAL END



T6CK
T6BM
T4CC
T2DL
T4C

NOTE:
IEC LEAD MARKINGS ARE NOTED
IN PARENTHESES

				TOLERANCES UNLESS SPECIFIED			DRAWN BLR 10-04-1999			
				DEC.	INCHES		CHK DRS 10-04-1999			
				.X	±.1		APPD TB 10-04-1999			
3	REVISED TO MATCH M.E. ORIGINAL	TAT 07-25-2005	ML	.XX	±.02	TITLE CONNECTION DIAGRAM 3Ø – WYE START DELTA RUN	SCALE 1=1			
2	REVISED DRAWING MISTAKE CN 29200-2980	ERH 05-15-2003	ML	.XXX	±.005		REF			
1	NEW DRAWING	BLR 10-09-1999		.XXXX	±.0005		FMF			
NO.	REVISION	BY & DATE	CHK	ANG	±'30"	FINISH	PREV			
THIS DRAWING IN DESIGN AND DETAIL IS OUR PROPERTY AND MUST NOT BE USED EXCEPT IN CONNECTION WITH OUR WORK ALL RIGHTS OF DESIGN AND INVENTION ARE RESERVED THIS IS AN ELECTRONICALLY GENERATED DOCUMENT – DO NOT SCALE THIS PRINT				RFP	CAD FILE ee7340_In		SIZE	DRAWING NO.	PAGE OF	REV.
				DIST	WA-LB-SB		A	EE7340-LN	3	3

Data Sheet

Date: 2/1/2018

LM28879



Data @ **200 V**

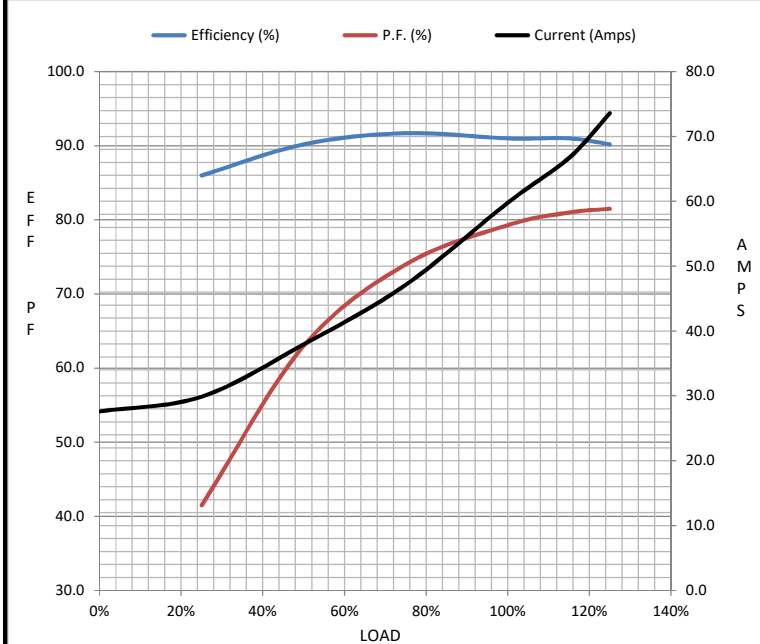
Motor Load Data

Load	0%	25%	50%	75%	100%	115%	125%	LR
Current (Amps)	27.6	29.9	38.0	47.2	59.8	66.7	73.6	368
Torque (ft-lb)	0.00	15.0	29.5	44.5	59.5	68.5	75.0	145
RPM	1800	1790	1785	1770	1760	1755	1750	0
Efficiency (%)		86.0	90.2	91.7	91.0	91.0	90.2	
P.F. (%)	5.5	41.5	63.0	74.0	79.3	81.0	81.5	43.0

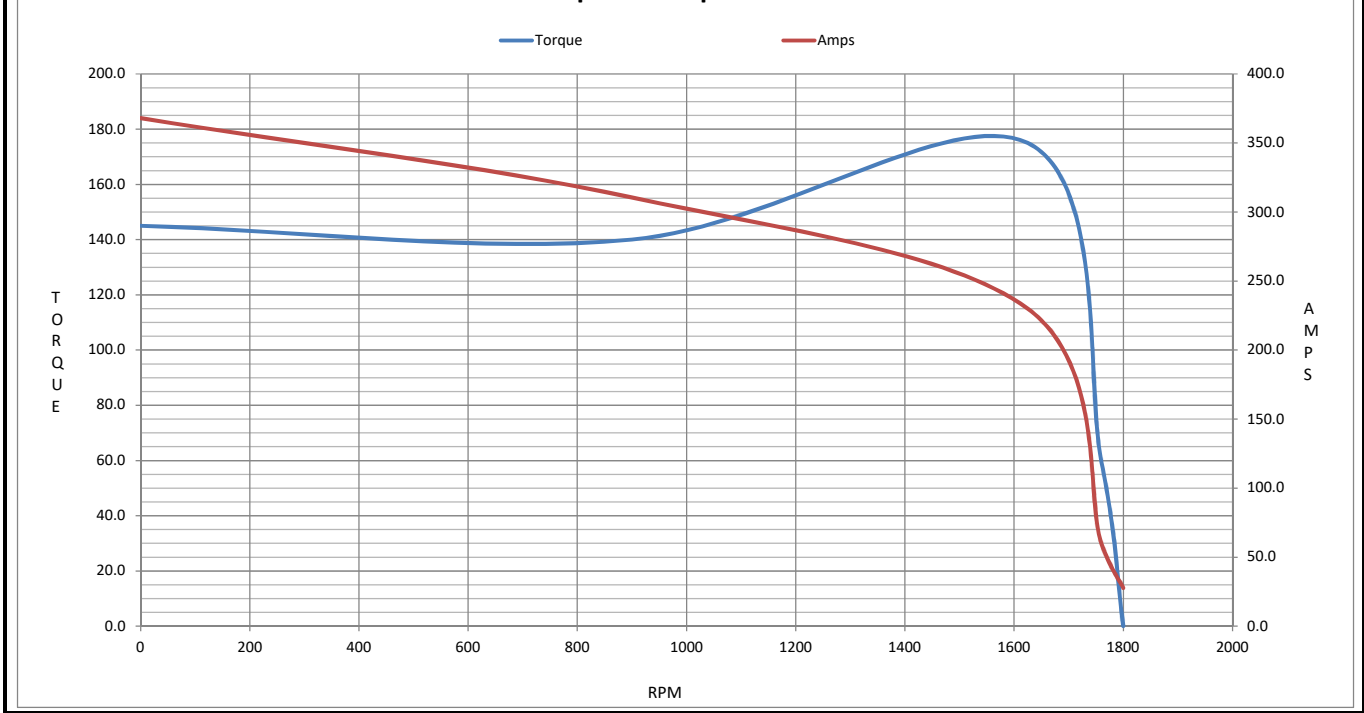
Motor Speed Data

	LR	Pull-Up	BD	Rated	Idle
Speed (RPM)	0	900	1625	1760	1800
Current (Amps)	368	311	230	59.8	27.6
Torque (ft-lb)	145	140	175	59.5	0.00

Information Block				
HP	20.0			
Sync. RPM	1800			
Frame	256			
Enclosure	DP			
Construction	TDX			
Voltage	200#200 V			
Frequency	60 Hz			
Design	B			
LR Code letter	H			
Service Factor	1.15			
Temp Rise @ FL	0 °C			
Duty	60 MIN			
Ambient	40 °C			
Elevation	1,000 feet			
Rotor/Shaft wk ²	1.70 Lb-Ft ²			
Ref Wdg	K2154280 R5			
Sound Pressure @ 1M	70 dBA			
VFD Rating	NONE			
Outline Dwg	A-SS86503LN-1545			
Conn. Diag	A-EE7340-LN			
Additional Specifications:				
0				
0				
EQUIV CKT (OHMS / PHASE)				
R1	R2	X1	X2	Xm
0.1780	0.1560	0.6140	0.9020	12.7240



Speed - Torque Curve



EC Declaration of Conformity

The undersigned representing
the manufacturer:

Regal Beloit America
100 East Randolph St.
Wausau, WI 54401

and the authorized representative
established within the Community:

Marathon Electric UK
6F Thistleton Road Ind. Estate
Market Overton
Oakham, Rutland LE15 7PP UK

are committed to providing customers with products that comply with applicable regulations and international protocols to which they are subject, including the requirements of the European Parliament Directive on the Harmonization of the laws relating to electrical equipment designed for use within certain voltage limits (2014/35/EU).

Regal Beloit America declares that the following product(s), to which this declaration relates, are in conformity with the relevant sections of the EC standards listed below.

This statement supersedes any statements previously issued pertaining to the product(s) listed below and is subject to change without notice.

Model No : LM28879

(Model No. may contain prefix and/or suffix characters)

Catalog No : LM28879

Rework No : N/A

Directives :

Low Voltage Directive 2014/35/EU

Harmonized Standards Used :

EN 60034-1: 2010 (IEC 60034-1: 2010)

EN 60034-5: 2001/A1:2007 (IEC 60034-5: 2000/A1:2006)

Authorized Representative:



Michael A. Logsdon
Vice President, Technology

Authorized Representative in the Community:



Julian Clark
Marketing Engineer

Created on 09/01/2022

CE 22