

PRODUCT INFORMATION PACKET

Model No: LM28209

Catalog No: LM28209

Elevator Duty Motor, 15 HP, 3 Ph, 60 Hz, 200 V, 1200 RPM, 284TC Frame, DP



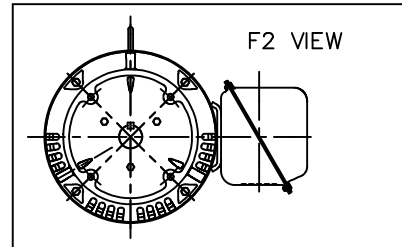
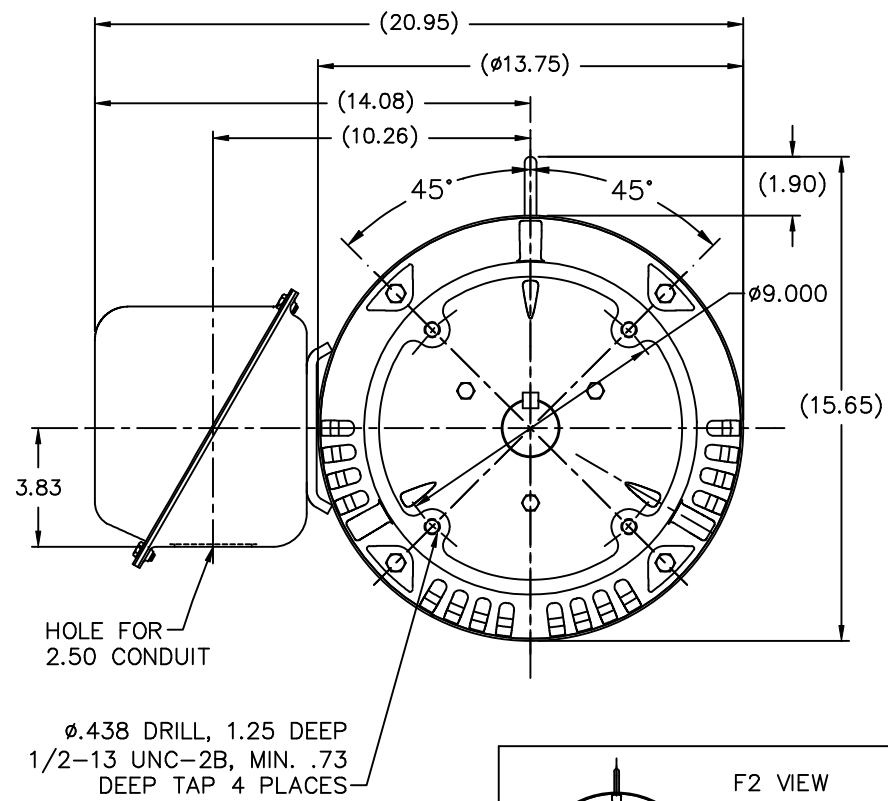
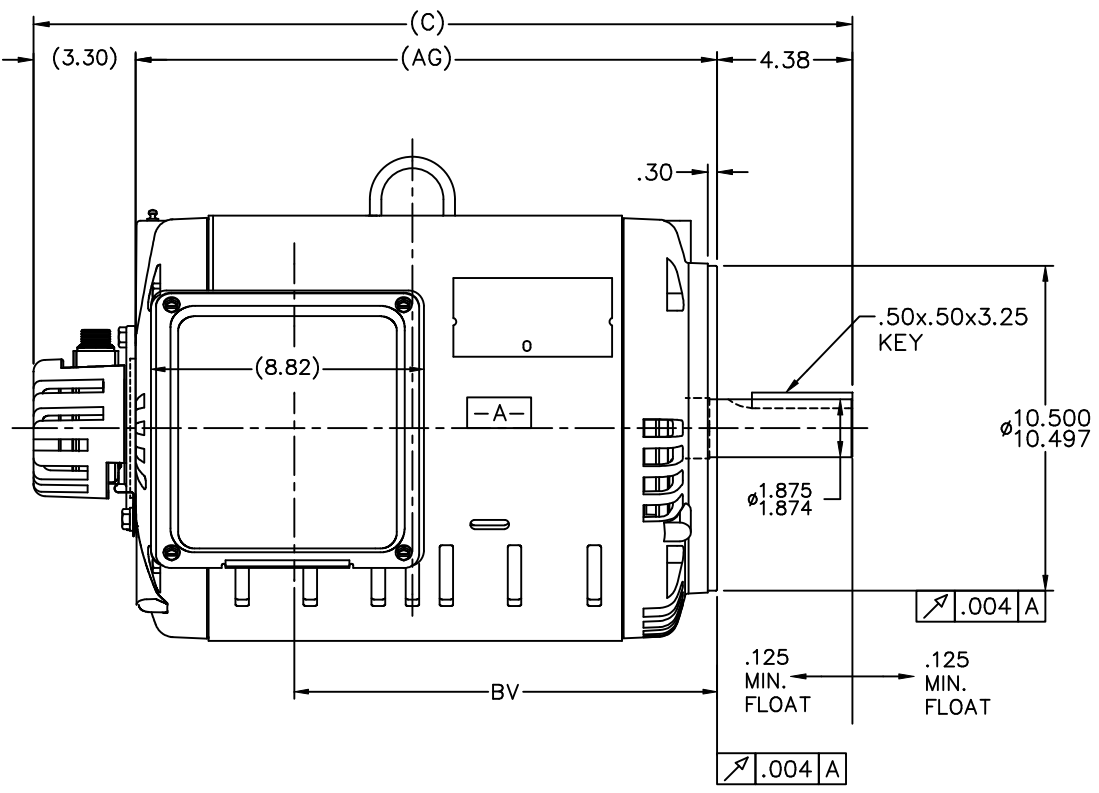
Regal and are trademarks of Regal Rexnord Corporation or one of its affiliated companies.
©2022 Regal Rexnord Corporation, All Rights Reserved. MC017097E

Nameplate Specifications

Output HP	15 Hp	Output KW	11.2 kW
Frequency	60 Hz	Voltage	200 V
Current	56.5 A	Speed	1182 rpm
Service Factor	1	Phase	3
Efficiency	84 %	Power Factor	68
Duty	Elevator	Insulation Class	F
Design Code	INV	KVA Code	L
Frame	284TC	Enclosure	Drip Proof
Thermal Protection	No Protection	Ambient Temperature	40 °C
Drive End Bearing Size	310	Opp Drive End Bearing Size	209
UL	Recognized	CSA	Y
CE	Y	IP Code	22
Number of Speeds	1		

Technical Specifications

Electrical Type	Squirrel Cage Inverter Duty	Starting Method	Wye Start Delta Run Or Inverter
Poles	6	Rotation	Reversible
Resistance Main	.4 Ohms	Mounting	Round
Motor Orientation	Horizontal	Drive End Bearing	Ball
Opp Drive End Bearing	Ball	Frame Material	Rolled Steel
Shaft Type	T	Overall Length	26.47 in
Frame Length	12.98 in	Shaft Diameter	1.875 in
Shaft Extension	4.62 in	Assembly/Box Mounting	F1/F2 CAPABLE
Inverter Load	CONSTANT 1000:1		
Outline Drawing	XF3D1EC33B-1298	Connection Drawing	A-EE7340D-LN

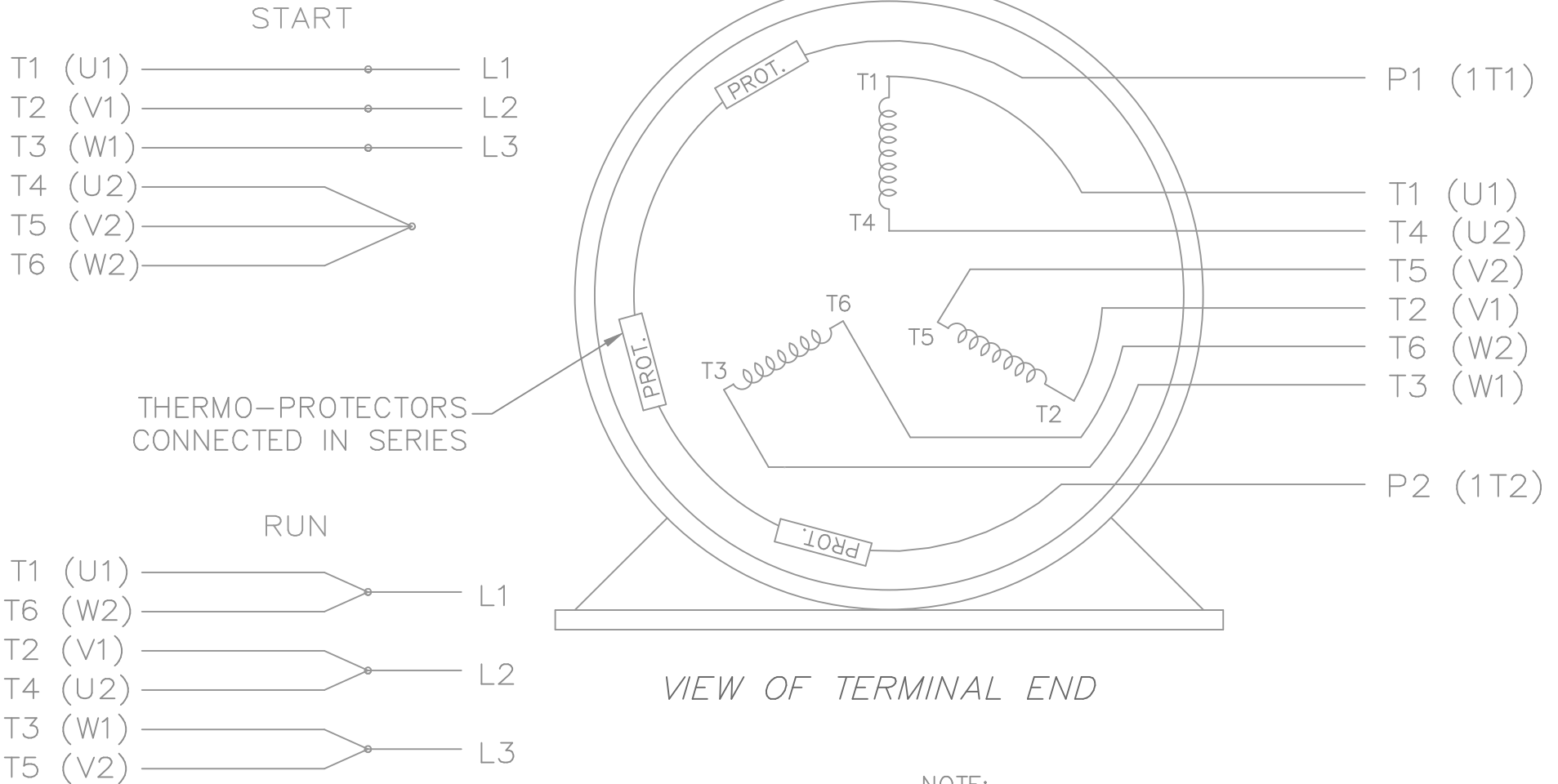


- NOTES:
1. CONDUIT BOX CAN BE ROTATED IN 90° STEPS.
 2. NAMEPLATES TO BE READ FROM CONDUIT BOX SIDE OF MOTOR.

DASH	FRAME	C	AG	BV
1298	284TC	26.47	18.79	13.66
1448	286TC	27.97	20.29	15.16

				TOLERANCES UNLESS SPECIFIED		Lincoln MOTOR		DRAWN CTO 11-20-2002		
				DEC.	INCHES			CHK	DRS 12-03-2002	
				.X	±.1			APPD	HNH 12-03-2002	
				.XX	±.02	TITLE OUTLINE - IH950 ENCODER		SCALE	1=4	
				.XXX	±.005	VVVF ELEVATOR HOIST MOTOR 280TC ODP		REF		
1	NEW DRAWING	MU43624	CTO 12-03-2002	HNH	±.0005	MATL		FMF		
NO.	REVISION	BY & DATE	CHK	ANG	FINISH			PREV		
			RFP	±7°30'		CAD FILE xf3d1ec33b				
THIS DRAWING IN DESIGN AND DETAIL IS OUR PROPERTY AND MUST NOT BE USED EXCEPT IN CONNECTION WITH OUR WORK ALL RIGHTS OF DESIGN AND INVENTION ARE RESERVED THIS IS AN ELECTRONICALLY GENERATED DOCUMENT - DO NOT SCALE THIS PRINT							SIZE	DRAWING NO.	PAGE OF	REV.
							B	XF3D1EC33B	1	1


THREE PHASE
WYE START DELTA RUN



THERMO-PROTECTORS
CONNECTED IN SERIES

VIEW OF TERMINAL END

NOTE:
IEC LEAD MARKINGS ARE NOTED IN PARANTHESES

				TOLERANCES UNLESS SPECIFIED			DRAWN KL 11-10-2000				
				DEC.	INCHES		CHK DJK 11-10-2000				
				.X	±.1		APPD DJK 11-10-2000				
				.XX	±.02		SCALE 1=1				
2	ADDED IEC LEAD MARKINGS	MSG 10-08-2008	ML	.XXX	±.005	TITLE CONNECTION DIAGRAM - EXTERNAL - 3φ WYE START DELTA RUN - SINGLE VOLTAGE		REF			
1	NEW DRAWING MU34618	KL 11-10-2000	DJK	.XXXX	±.0005	MAT'L.		FMF			
NO.	REVISION	BY & DATE	CHK	ANG	±7'30"	FINISH		PREV			
THIS DRAWING IN DESIGN AND DETAIL IS OUR PROPERTY AND MUST NOT BE USED EXCEPT IN CONNECTION WITH OUR WORK ALL RIGHTS OF DESIGN AND INVENTION ARE RESERVED THIS IS AN ELECTRONICALLY GENERATED DOCUMENT - DO NOT SCALE THIS PRINT				RFP	11-10-2000	CAD FILE EE7340D_LN		SIZE A	DRAWING NO. EE7340D_LN	PAGE OF 2	REV. 2



**2100 WASHINGTON ST.
GRAFTON, WI
PH. 262-277-8810**

CERTIFICATION DATA SHEET

CONN. DIAGRAM: A-EE7340D-LN
OUTLINE: XF3D1EC33B-1298
WINDING #: 6D284005 2

CATALOG : LM28209

MOUNTING: F1/F2 CAPABLE

TYPICAL MOTOR PERFORMANCE DATA

HP	kW	SYNC. RPM	F.L. RPM	FRAME	ENCLOSURE	KVA CODE	DESIGN
15	11.2	1200	1182	284TC	DP	L	INV

PH	Hz	VOLTS	AMPS	START TYPE	DUTY	INSL	S.F.	AMB°C
3	60	200	56.5	Y START D RUN OR INV	VERIFY	F4	1.0	40

FULL LOAD EFF:	84	3/4 LOAD EFF:	81.5	1/2 LOAD EFF:	77.5	GTD. EFF		ELEC. TYPE	
FULL LOAD PF:	68	3/4 LOAD PF:	60	1/2 LOAD PF:	48	81.5		SQ CAGE INV DUTY	

F.L. TORQUE	LOCKED ROTOR AMPS	L.R. TORQUE	B.D. TORQUE	F.L. RISE°C
66.8 LB-FT	460	230 LB-FT 344 %	260 LB-FT 389 %	100

SOUND PRESSURE @ 3 FT.	SOUND POWER	ROTOR WK^2	MAX. WK^2	SAFE STALL TIME	STARTS / HOUR	APPROX. MOTOR WGT
66 dBA	76 dBA	4.1 LB-FT^2	- LB-FT^2	- SEC.	-	- LBS.

***** SUPPLEMENTAL INFORMATION *****

DE BRACKET TYPE	ODE BRACKET TYPE	MOUNT TYPE	ORIENTATION	SEVERE DUTY	HAZARDOUS LOCATION	DRIP COVER	SCREENS	PAINT
ENCODER	ENCODER	ROUND	HORIZONTAL	FALSE	NONE	FALSE	NONE	GRAY - LINCOLN

BEARINGS		GREASE	SHAFT TYPE	SPECIAL DE	SPECIAL ODE	SHAFT MATERIAL	FRAME MATERIAL
DE	ODE						
BALL	BALL	POLYREX EM	T	NONE	NONE	1045 HOT ROLLED (C-204)	ROLLED STEEL
310	209						

THERMO-PROTECTORS				THERMISTORS	CONTROL	SPACE HEATERS
THERMOSTATS	PROTECTORS	WDG RTDs	BRG RTDs			
TSTATS (N/C)	NOT	NONE	NONE	NONE	FALSE	NONE VOLTS

*
N
O
T
E
S
*

INVERTER TORQUE: CONSTANT 1000:1
INV. HP SPEED RANGE: NONE
ENCODER: REGAL SUPPLIED - REGAL MOUNT DYNAPAR HS35 LINCOLN MS CONNECTOR 1024 PPR
BRAKE: NONE NONE NONE P/N NONE NONE NONE FT-LB NONE V NONE Hz



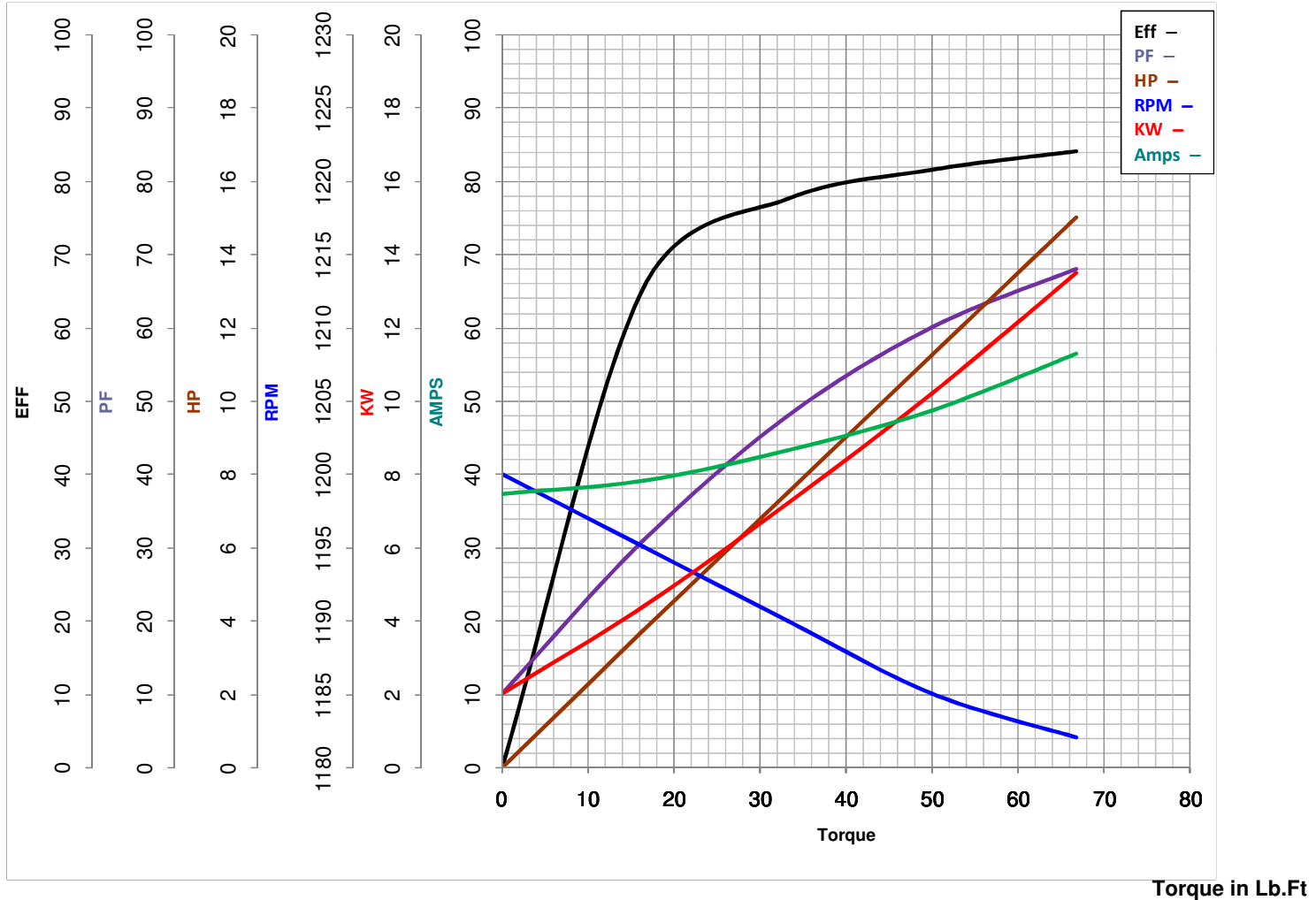
LEESON ELECTRIC CORPORATION
 TYPICAL PERFORMANCE CURVE for AC MOTOR

Model No LM28209

Curve at 200 Volts HP 15.00 PHASE 3
60 HZ
15 HP VOLTS 200

Catalog No LM28209BB

HZ 60 RPM 1182



FL TORQUE 66.8 Lb.Ft
 BD TORQUE 260.0 Lb.Ft
 LR TORQUE 230 Lb.Ft

FL AMPS 56.5
 PU TORQUE 200.0 Lb.Ft
 LR AMPS 460

WINDING 6D284005-2

Date 6/11/2018