

PRODUCT INFORMATION PACKET



Model No: LM28204
Catalog No: LM28204
Elevator Duty Motor, 10 HP, 3 Ph, 60 Hz, 230/460 V, 1200 RPM, 256TC Frame, DP



Regal and Leeson are trademarks of Regal Rexnord Corporation or one of its affiliated companies.
©2022 Regal Rexnord Corporation, All Rights Reserved. MC017097E



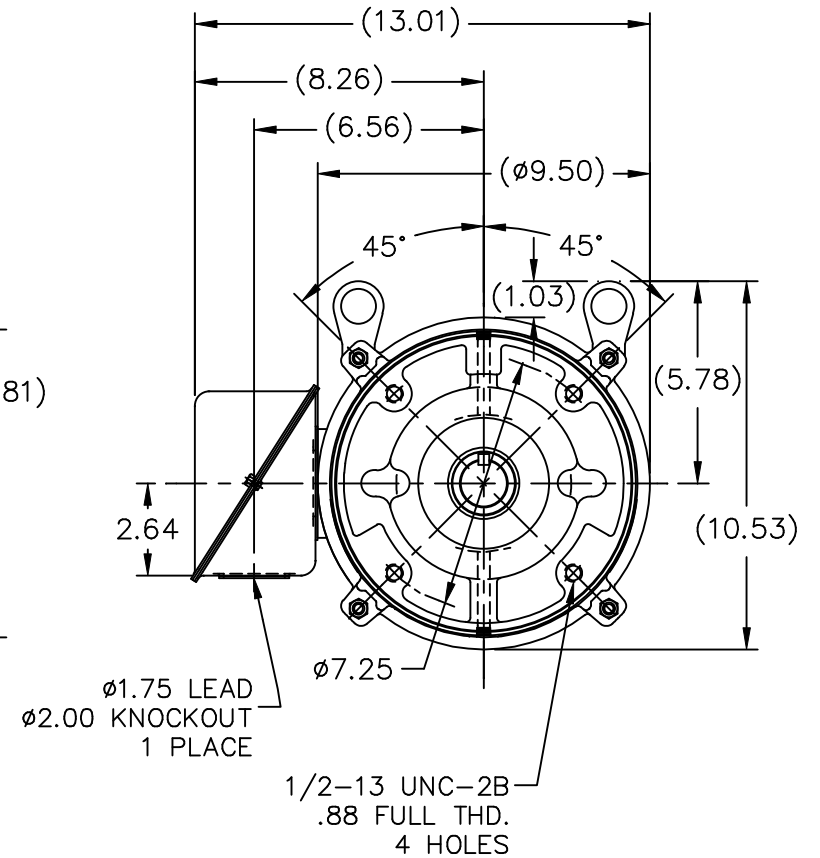
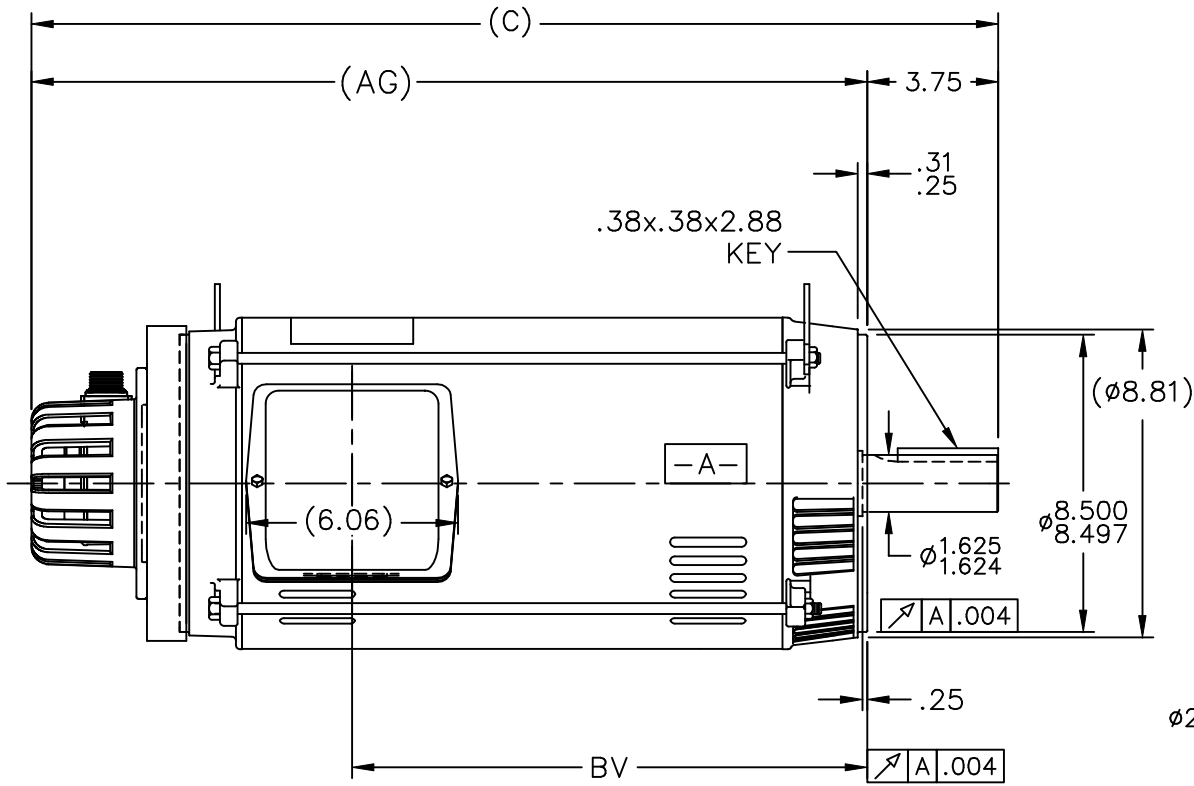


Nameplate Specifications

| | | | |
|------------------------|---------------|----------------------------|------------|
| Output HP | 10 Hp | Output KW | 7.5 kW |
| Frequency | 60 Hz | Voltage | 230/460 V |
| Current | 29.0/14.5 A | Speed | 1160 rpm |
| Service Factor | 1 | Phase | 3 |
| Efficiency | 86.5 % | Power Factor | 74 |
| Duty | Elevator | Insulation Class | F |
| Design Code | INV | KVA Code | J |
| Frame | 256TC | Enclosure | Drip Proof |
| Thermal Protection | No Protection | Ambient Temperature | 40 °C |
| Drive End Bearing Size | 309 | Opp Drive End Bearing Size | 208 |
| UL | Recognized | CSA | Y |
| CE | Y | IP Code | 12 |
| Number of Speeds | 1 | | |

Technical Specifications

| | | | |
|-----------------------|-----------------------------|-----------------------|------------------|
| Electrical Type | Squirrel Cage Inverter Duty | Starting Method | Inverter Only |
| Poles | 6 | Rotation | Reversible |
| Resistance Main | 1.16 Ohms | Mounting | Round |
| Motor Orientation | Horizontal | Drive End Bearing | Ball |
| Opp Drive End Bearing | Ball | Frame Material | Rolled Steel |
| Shaft Type | T | Overall Length | 27.65 in |
| Frame Length | 15.15 in | Shaft Diameter | 1.625 in |
| Shaft Extension | 3.75 in | Assembly/Box Mounting | F1/F2 CAPABLE |
| Inverter Load | CONSTANT 1000:1 | | |
| Connection Drawing | A-EE7308T-LN | Outline Drawing | A-SS88789LN-1515 |



- NOTES:
1. NAMEPLATE TO BE READ FROM C'BOX SIDE OF MOTOR.
 2. BOX CAN BE MOUNTED IN 90° STEPS.
 3. BOX CAN BE MOUNTED ON OPPOSITE SIDE BY REMOVING BRACKETS AND TURNING FRAME 180°. (EXCEPT AS NOTED.)

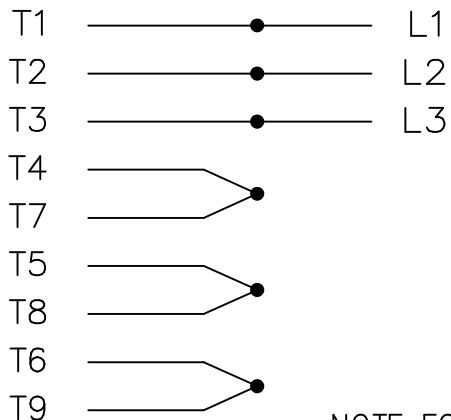
| DASH | FR. | C | AG | BV |
|------|-----------|-------|-------|-------|
| 1340 | 254TC | 25.85 | 22.10 | 12.76 |
| 1515 | 254/256TC | 27.65 | 23.90 | 14.50 |

| NO. | REVISION | BY & DATE | CHK | TOLERANCES UNLESS SPECIFIED | |
|-----|--|----------------|-----|-----------------------------|--------|
| | | | | DEC. | INCHES |
| 4 | ADDED VENTS TO REAR BRKT. ISAAC #07-2780 | RWR 11-09-2007 | ML | .X | ±.1 |
| 3 | REVISE D.E. BRACKET PER ISAAC #07-24446 | RWR 10-12-2007 | ML | .XX | ±.03 |
| 2 | CHANGED REAR BRACKET VIEW CN 29100-3428 | ERH 05-07-2003 | DRS | .XXX | ±.005 |
| 1 | NEW DRAWING MU44630 | CAV 12-18-2002 | BW | .XXXX | ±.0005 |
| | | | | ANG | ±7'30" |

| | | | |
|--|--------------------|----------------------|-----------------------|
| | | DRAWN CAV 12-18-2002 | |
| | | CHK ML 12-19-2002 | APPD BW 12-19-2002 |
| TITLE OUTLINE - STEEL C'BOX HS35 TACH 250TC FR. - BB - DR.PR. | | SCALE 1=5.5 | REF |
| | | FMF | PREV |
| RFP | CAD FILE ss88789ln | SIZE A | DRAWING NO. SS88789LN |
| DIST LB | | PAGE | OF |
| | | | REV. 4 |

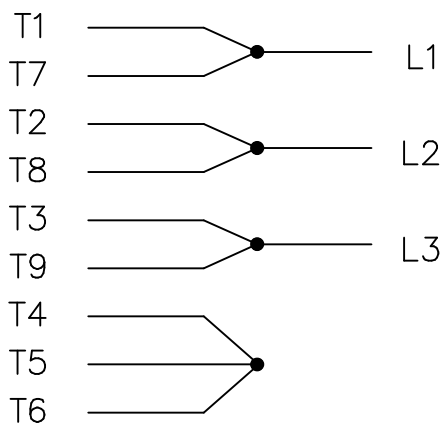
THREE PHASE
DUAL VOLTAGE MOTOR

HIGH VOLTAGE

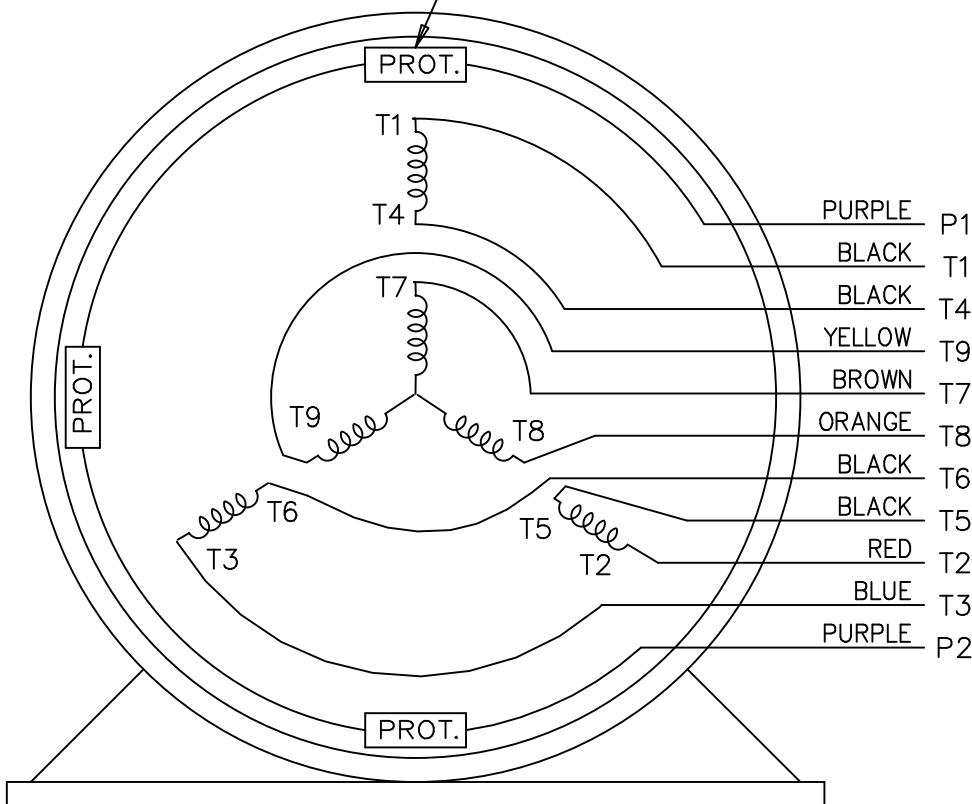


NOTE FOR FACTORY USE ONLY:
TO SURGE TEST FOR COMMON CONNECT:
HIGH VOLT: CONNECT P1 TO T1
 THEN P2 TO L1
LOW VOLT: CONNECT P1 TO T1 & T7,
 THEN P2 TO L1

LOW VOLTAGE



THREMO-PROTECTORS
CONNECTED IN SERIES.



VIEW OF TERMINAL END

| | | | | | | | | | | |
|--|-------------------------------|----------|----------------|--------------------------------|---------------------|--------|--|------|---------------------|------|
| | | | | TOLERANCES UNLESS SPECIFIED | | | DRAWN BJK 07-16-2002 | | | |
| | | | | DEC. | INCHES | | CHK DRS 07-18-2002 | | | |
| | | | | .X | ±.1 | | APPD GK 07-18-2002 | | | |
| | | | | | .XX | ±.02 | SCALE 1=1 | | | |
| 2 | ADDED COLORS TO "T & P" LEADS | CN 40494 | MSG 08-08-2006 | ML | .XXX | ±.005 | TITLE CONNECTION DIAGRAM 3 PHASE - DUAL VOLTAGE MOTOR | | REF | |
| 1 | NEW DRAWING | | BJK 07-18-2002 | DRS | .XXXX | ±.0005 | MAT'L. | | FMF | |
| NO. | REVISION | | BY & DATE | CHK | ANG | ±7'30" | FINISH | | PREV | |
| THIS DRAWING IN DESIGN AND DETAIL IS OUR PROPERTY AND MUST NOT BE USED EXCEPT IN CONNECTION WITH OUR WORK ALL RIGHTS OF DESIGN AND INVENTION ARE RESERVED THIS IS AN ELECTRONICALLY GENERATED DOCUMENT - DO NOT SCALE THIS PRINT | | | | RFP | CAD FILE ee7308t_ln | | | SIZE | DRAWING NO. PAGE OF | REV. |
| | | | | DIST LB | | | | A | EE7308T-LN | 2 |



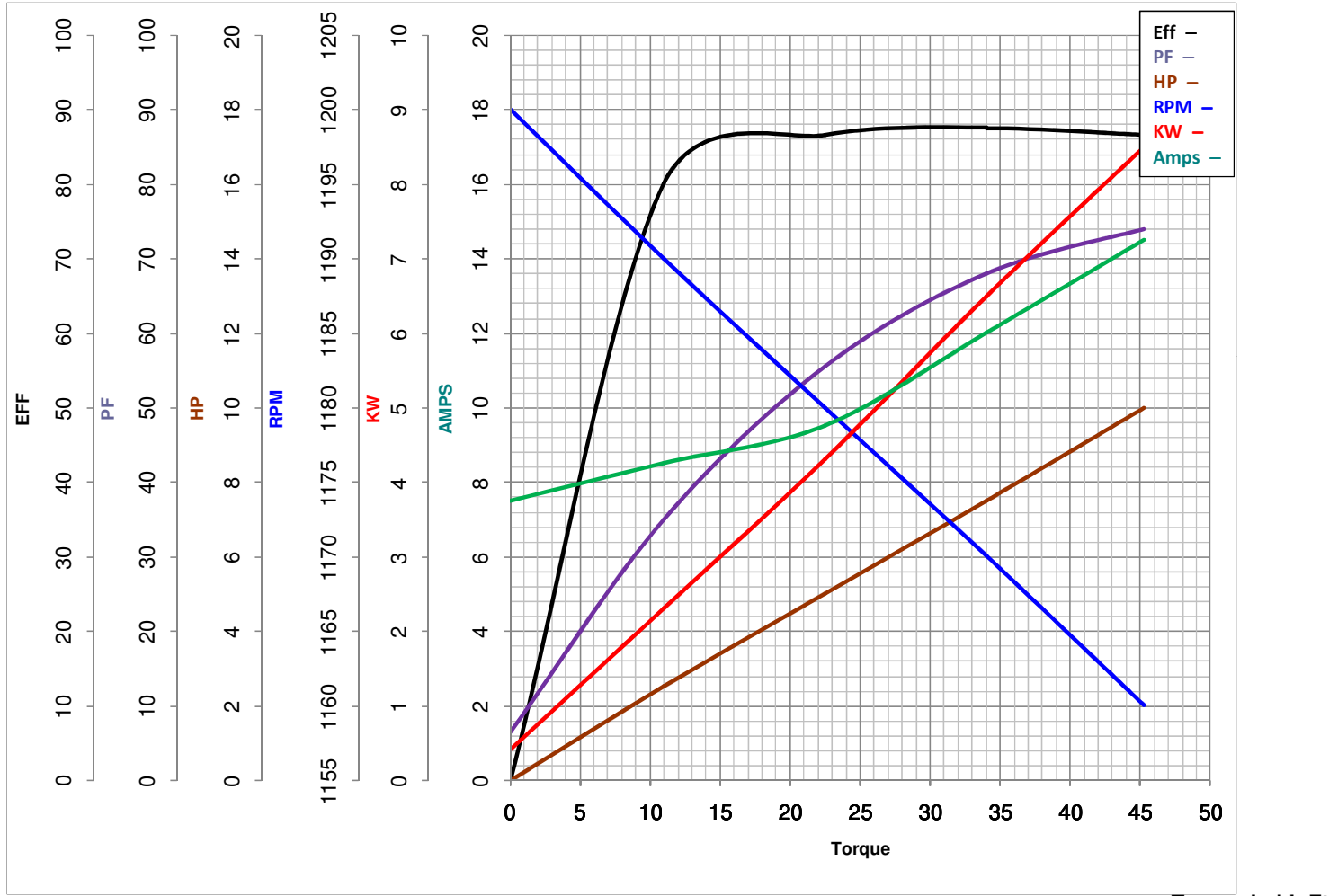
LEESON ELECTRIC CORPORATION
 TYPICAL PERFORMANCE CURVE for AC MOTOR

Model No LM28204

Curve at 460 Volts HP 10.00 PHASE 3
60 HZ
10 HP VOLTS 230/460

Catalog No LM28204BB

HZ 60 RPM 1160



| | | | | | |
|-----------|--------------|-------|-----------|-----------------|-------|
| FL TORQUE | <u>45.3</u> | Lb.Ft | FL AMPS | <u>29/14.5</u> | |
| BD TORQUE | <u>140.0</u> | Lb.Ft | PU TORQUE | <u>110.0</u> | Lb.Ft |
| LR TORQUE | <u>120</u> | Lb.Ft | LR AMPS | <u>100</u> | |
| WINDING | K2156160-1 | | Date | <u>6/4/2018</u> | |

EC Declaration of Conformity

The undersigned representing
the manufacturer:

Regal Beloit America
100 East Randolph St.
Wausau, WI 54401

and the authorized representative
established within the Community:

Marathon Electric UK
6F Thistleton Road Ind. Estate
Market Overton
Oakham, Rutland LE15 7PP UK

are committed to providing customers with products that comply with applicable regulations and international protocols to which they are subject, including the requirements of the European Parliament Directive on the Harmonization of the laws relating to electrical equipment designed for use within certain voltage limits (2014/35/EU).

Regal Beloit America declares that the following product(s), to which this declaration relates, are in conformity with the relevant sections of the EC standards listed below.

This statement supersedes any statements previously issued pertaining to the product(s) listed below and is subject to change without notice.

Model No : LM28204

(Model No. may contain prefix and/or suffix characters)

Catalog No : LM28204

Rework No : N/A

Directives :

Low Voltage Directive 2014/35/EU

Harmonized Standards Used :

EN 60034-1: 2010 (IEC 60034-1: 2010)

EN 60034-5: 2001/A1:2007 (IEC 60034-5: 2000/A1:2006)

Authorized Representative:



Michael A. Logsdon
Vice President, Technology

Authorized Representative in the Community:



Julian Clark
Marketing Engineer

Created on 09/01/2022

CE 22