

PRODUCT INFORMATION PACKET

Model No: LM28161

Catalog No: LM28161

Elevator Duty Motor, 60 HP, 3 Ph, 60 Hz, 230/460 V, 1200 RPM, 404T Frame, DP



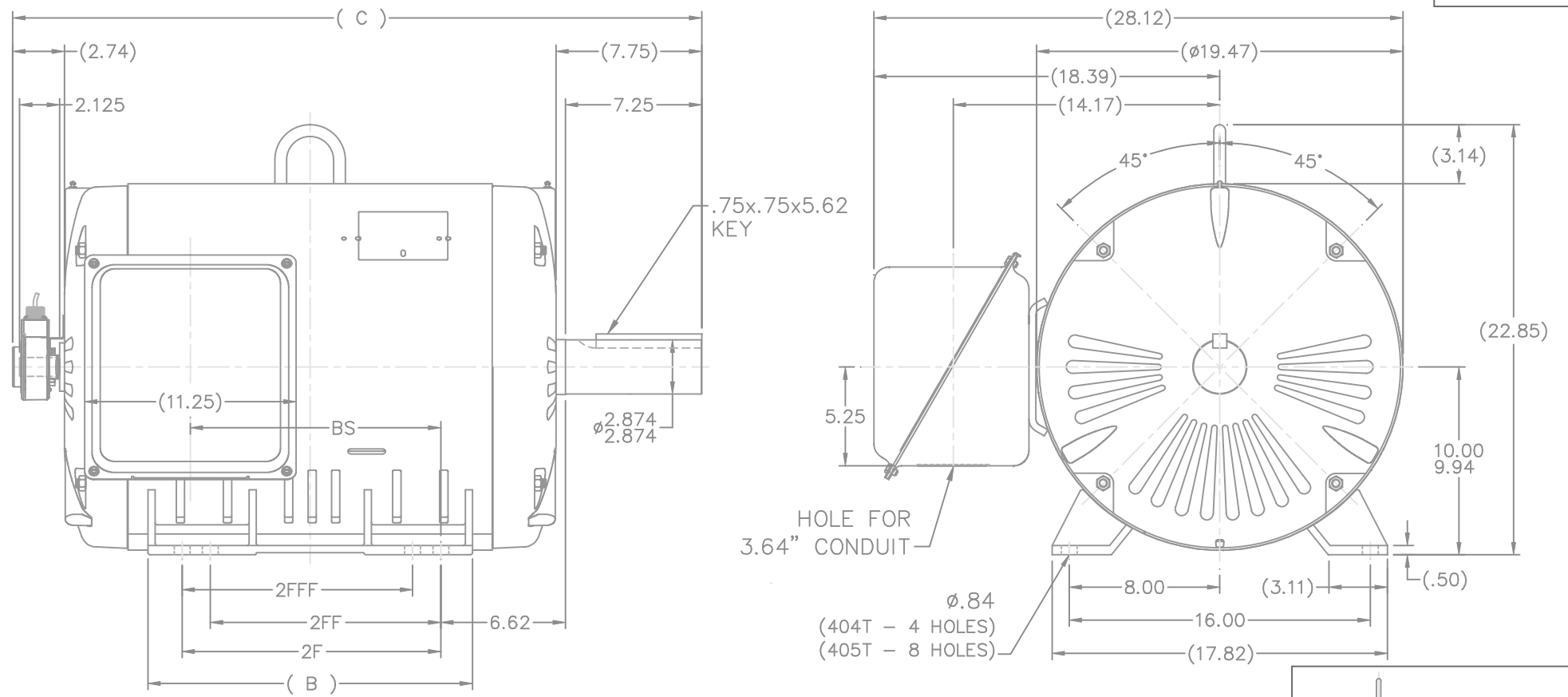
Regal and are trademarks of Regal Rexnord Corporation or one of its affiliated companies.
©2022 Regal Rexnord Corporation, All Rights Reserved. MC017097E

Nameplate Specifications

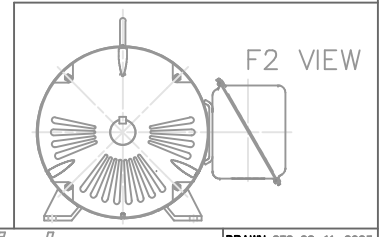
Output HP	60 Hp	Output KW	45.0 kW
Frequency	60 Hz	Voltage	230/460 V
Current	167.0/83.5 A	Speed	1188 rpm
Service Factor	1	Phase	3
Efficiency	93.6 %	Power Factor	72
Duty	Elevator	Insulation Class	F
Design Code	INV	KVA Code	J
Frame	404T	Enclosure	Drip Proof
Thermal Protection	No Protection	Ambient Temperature	40 °C
Drive End Bearing Size	315	Opp Drive End Bearing Size	313
UL	Recognized	CSA	Y
CE	Y	IP Code	22
Number of Speeds	1		

Technical Specifications

Electrical Type	Squirrel Cage Inverter Duty	Starting Method	Wye Start Delta Run Or Inverter
Poles	6	Rotation	Reversible
Resistance Main	.095 Ohms	Mounting	Rigid Base
Motor Orientation	Horizontal	Drive End Bearing	Ball
Opp Drive End Bearing	Ball	Frame Material	Rolled Steel
Shaft Type	T	Overall Length	35.13 in
Frame Length	17.35 in	Shaft Diameter	2.875 in
Shaft Extension	7.25 in	Assembly/Box Mounting	F1/F2 CAPABLE
Inverter Load	CONSTANT 1000:1		
Connection Drawing	A-EE7308BZ-LN	Outline Drawing	XJ2D1SS33B-1735



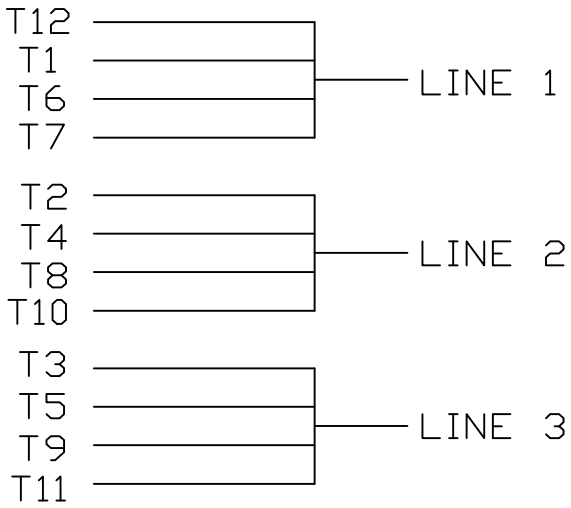
NOTES:
 1. CONDUIT BOX CAN BE ROTATED IN 90° STEPS.
 2. NAMEPLATES TO BE READ FROM CONDUIT BOX SIDE OF MOTOR.



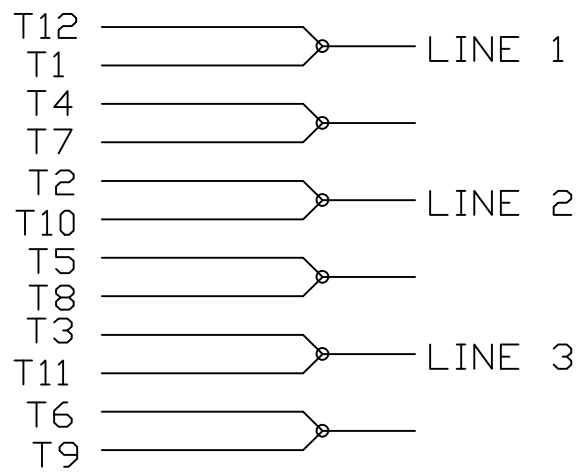
DASH	FRAME	C	B	BS	2F	2FF	2FFF
1735	404T	35.13	15.75	12.14	12.25		
1885	405T	36.63	17.25	13.64	13.75	10.75	10.75

		TOLERANCES UNLESS SPECIFIED		Lincoln MOTORS		DRAWN CTO 02-11-2003				
		DEC.	INCHES			CHK	ML 02-12-2003			
		.X	±.1			APPD	HNH 02-12-2003			
		.XX	±.03	TITLE OUTLINE NEMA MOTORS		SCALE	1=5.25			
		.XXX	±.005	400T ODP VVVF ELEV. HOIST ENCODER		REF				
1	NEW DRAWING	MU44251	CTO 02-12-2003	HNH	.XXXX ±.0005	MAT'L	FMF			
NO.	REVISION	BY & DATE		CHK	ANG ±1/2'	FINISH	PREV			
THIS DRAWING IN DESIGN AND DETAIL IS OUR PROPERTY AND MUST NOT BE USED EXCEPT IN CONNECTION WITH OUR WORK ALL RIGHTS OF DESIGN AND INVENTION ARE RESERVED THIS IS AN ELECTRONICALLY GENERATED DOCUMENT - DO NOT SCALE THIS PRINT				RFP		CAD FILE xj2d1ss33b	SIZE	DRAWING NO.	PAGE OF	REV.
				DIST	BY		B	XJ2D1SS33B	1	1

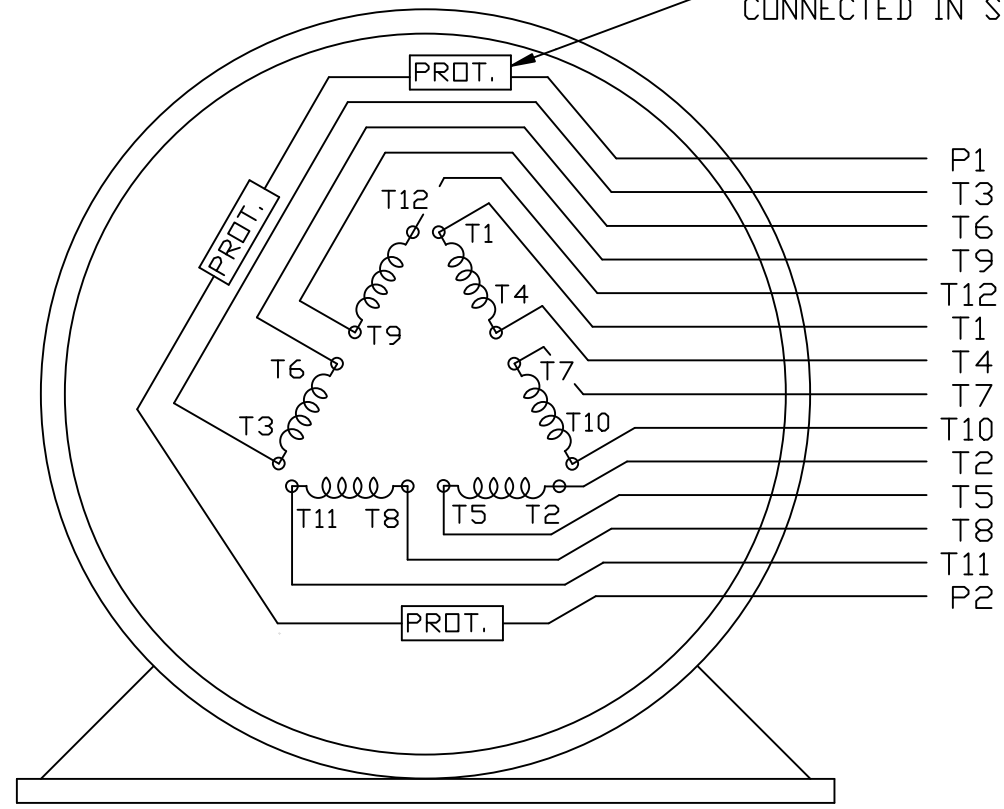
LOW VOLTAGE



HIGH VOLTAGE



THERMO - PROTECTORS
CONNECTED IN SERIES.



VIEW OF TERMINAL END

					✓ UNLESS OTHERWISE SPECIFIED DIMENSIONS ARE IN INCHES TOL. ON XX± XXX± XXXX± ANGLES±				
2	08/17/2011	REMOVED NOTE '12 LEADS SINGLE VOLTAGE'	MU103768		RFH	MAX. SURFACE ROUGHNESS UNLESS OTHERWISE NOTED		DRAWN BY KL	12-11-2000
1	12-11-2000	NEW DRAWING	MU34925		KL	FINISH		CHKD BY DJK	12-11-2000
REV	DATE	CHANGE			NAME	MATERIAL		APPD BY DJK	12-11-2000
					PART NAME EXTERNAL CONNECTION DIAGRAM 3 PHASE - 2/1 DELTA - 12 LEADS				
					PURCHASED		CADD FILE NO.		EE7308BZ-LN



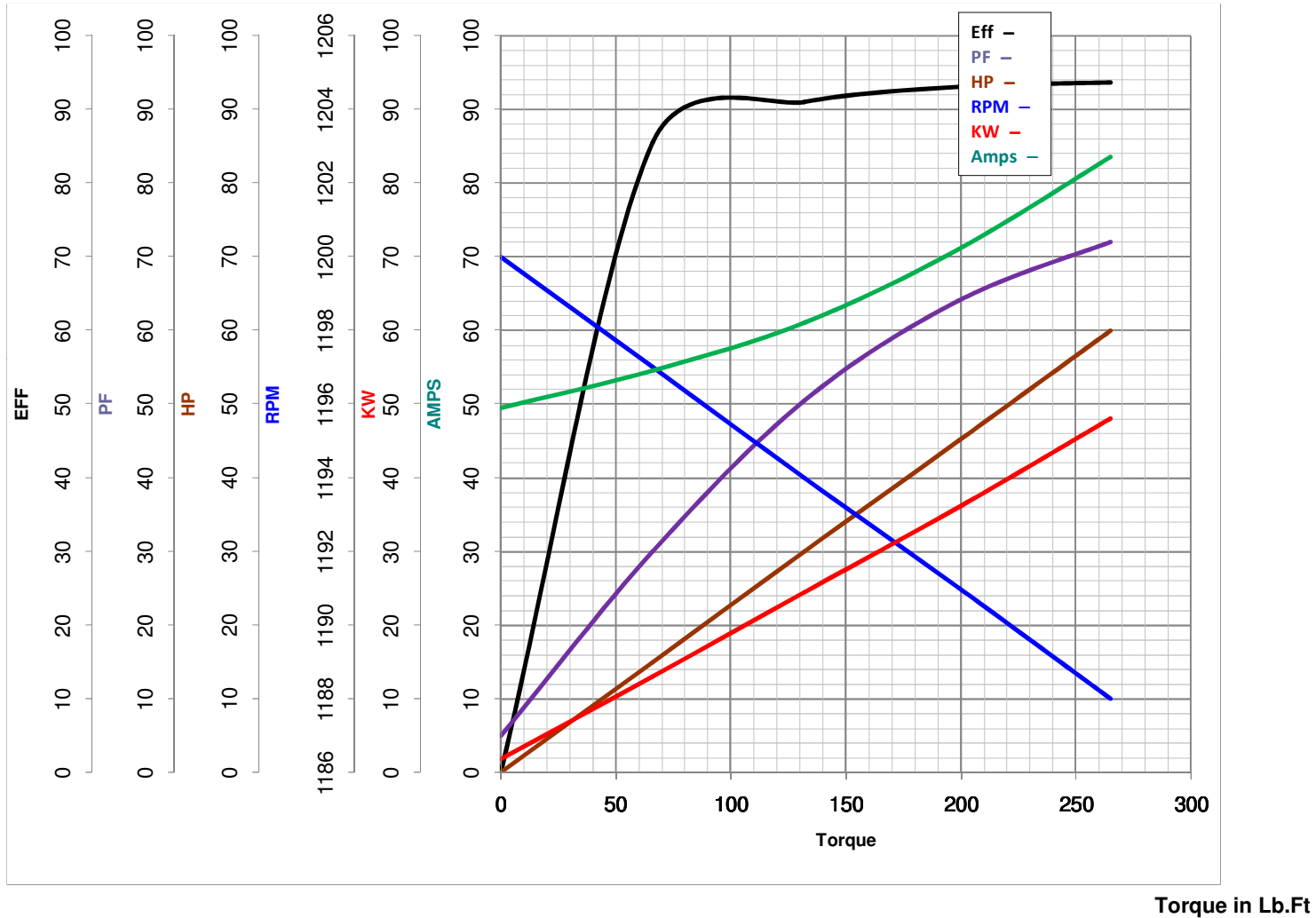
LEESON ELECTRIC CORPORATION
 TYPICAL PERFORMANCE CURVE for AC MOTOR

Model No LM28161

Curve at 460 Volts HP 60.00 PHASE 3
60 HZ
60 HP VOLTS 230/460

Catalog No LM28161BA

HZ 60 RPM 1188



FL TORQUE 265 Lb.Ft
 BD TORQUE 880.0 Lb.Ft
 LR TORQUE 420 Lb.Ft

FL AMPS 167/83.5
 PU TORQUE 400.0 Lb.Ft
 LR AMPS 550

WINDING C4046015-1

Date 5/24/2018