

PRODUCT INFORMATION PACKET

Model No: LM28160

Catalog No: LM28160

Elevator Duty Motor, 50 HP, 3 Ph, 30 Hz, 200 V, 900 RPM, 405T Frame, DP



Regal and are trademarks of Regal Rexnord Corporation or one of its affiliated companies.
©2022 Regal Rexnord Corporation, All Rights Reserved. MC017097E

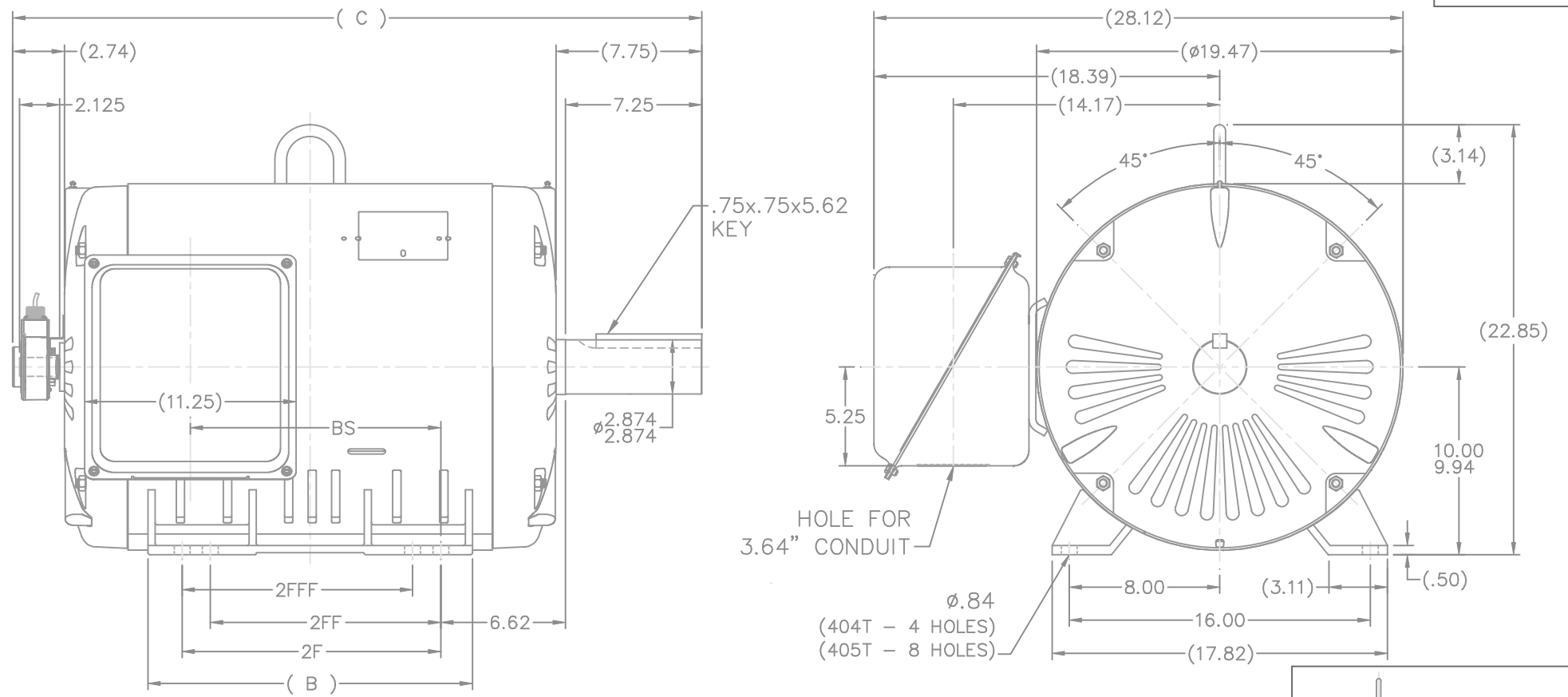
Nameplate Specifications

Output HP	50 Hp	Output KW	37.0 kW
Frequency	30 Hz	Voltage	200 V
Current	138.0 A	Speed	885 rpm
Service Factor	1	Phase	3
Efficiency	93 %	Power Factor	84
Duty	Elevator	Insulation Class	F
Design Code	INV	KVA Code	K
Frame	405T	Enclosure	Drip Proof
Thermal Protection	No Protection	Ambient Temperature	40 °C
Drive End Bearing Size	315	Opp Drive End Bearing Size	313
UL	Recognized	CSA	Y
CE	N	IP Code	22
Number of Speeds	1		

Technical Specifications

Electrical Type	Squirrel Cage Inverter Duty	Starting Method	Wye Start Delta Run Or Inverter
Poles	4	Rotation	Reversible
Resistance Main	.16 Ohms	Mounting	Rigid Base
Motor Orientation	Horizontal	Drive End Bearing	Ball
Opp Drive End Bearing	Ball	Frame Material	Rolled Steel
Shaft Type	T	Overall Length	36.63 in
Frame Length	19.56 in	Shaft Diameter	2.875 in
Shaft Extension	7.25 in	Assembly/Box Mounting	F1/F2 CAPABLE
Outline Drawing	XJ2D1SS33B-1885	Connection Drawing	A-EE7340D-LN

This is an uncontrolled document once printed or downloaded and is subject to change without notice. Date Created:09/07/2022

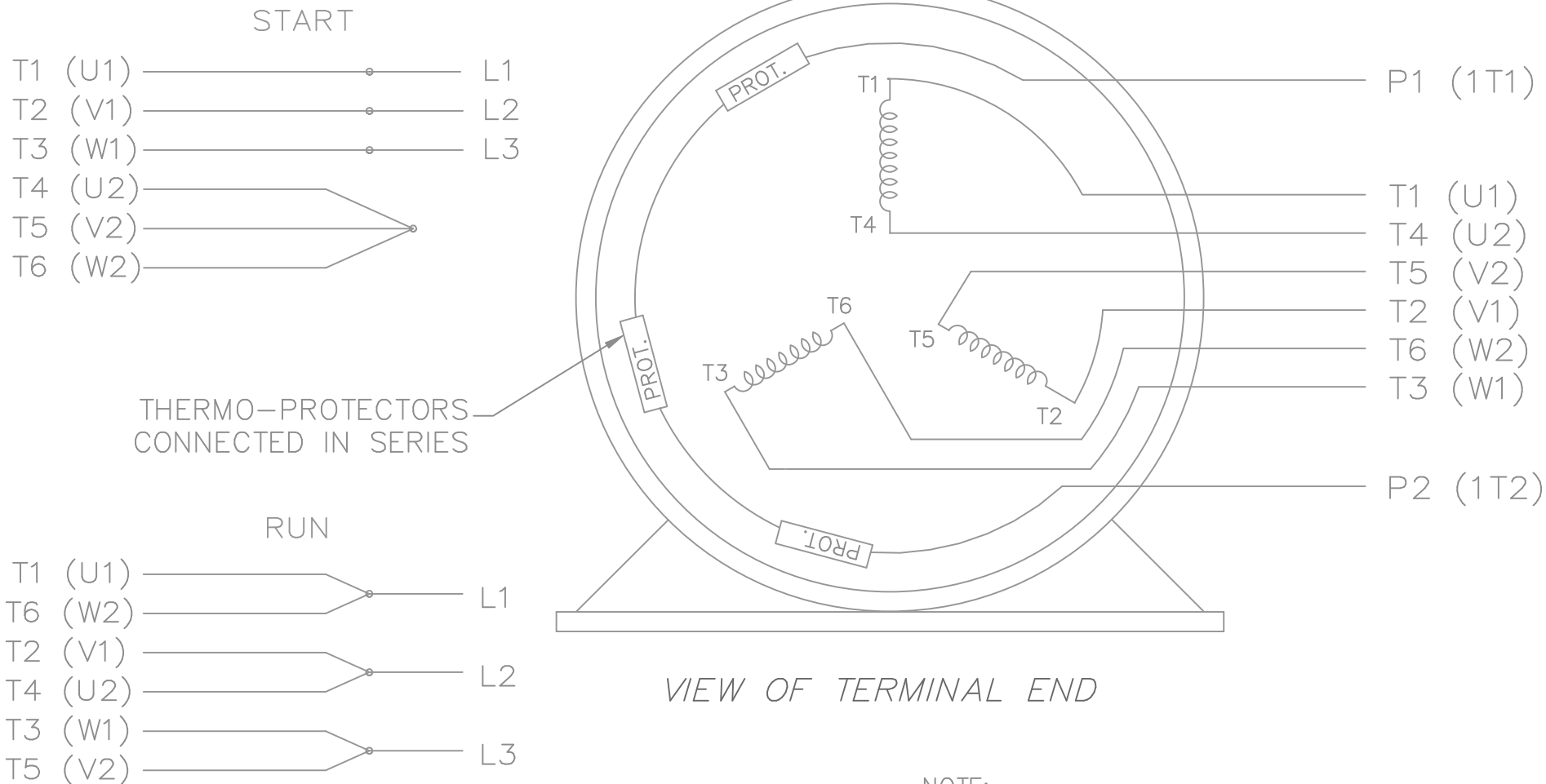


NOTES:
 1. CONDUIT BOX CAN BE ROTATED IN 90° STEPS.
 2. NAMEPLATES TO BE READ FROM CONDUIT BOX SIDE OF MOTOR.

DASH	FRAME	C	B	BS	2F	2FF	2FFF
1735	404T	35.13	15.75	12.14	12.25		
1885	405T	36.63	17.25	13.64	13.75	10.75	10.75

		TOLERANCES UNLESS SPECIFIED		Lincoln MOTORS		DRAWN CTO 02-11-2003				
		DEC.	INCHES			CHK	ML 02-12-2003			
		.X	±.1			APPD	HNH 02-12-2003			
		.XX	±.03	TITLE OUTLINE NEMA MOTORS		SCALE	1=5.25			
		.XXX	±.005	400T ODP VVVF ELEV. HOIST ENCODER		REF				
1	NEW DRAWING	MU44251	CTO 02-12-2003	HNH	.XXXX ±.0005	MAT'L	FMF			
NO.	REVISION	BY & DATE		CHK	ANG ±1/2'	FINISH	PREV			
THIS DRAWING IN DESIGN AND DETAIL IS OUR PROPERTY AND MUST NOT BE USED EXCEPT IN CONNECTION WITH OUR WORK ALL RIGHTS OF DESIGN AND INVENTION ARE RESERVED THIS IS AN ELECTRONICALLY GENERATED DOCUMENT - DO NOT SCALE THIS PRINT				RFP		CAD FILE xj2d1ss33b	SIZE	DRAWING NO.	PAGE OF	REV.
				DIST	BY		B	XJ2D1SS33B	1	1


THREE PHASE
WYE START DELTA RUN



THERMO-PROTECTORS
CONNECTED IN SERIES

VIEW OF TERMINAL END

NOTE:
IEC LEAD MARKINGS ARE NOTED IN PARANTHESES

				TOLERANCES UNLESS SPECIFIED			DRAWN KL 11-10-2000				
				DEC.	INCHES		CHK DJK 11-10-2000				
				.X	±.1		APPD DJK 11-10-2000				
				.XX	±.02		SCALE 1=1				
2	ADDED IEC LEAD MARKINGS	MSG 10-08-2008	ML	.XXX	±.005	TITLE CONNECTION DIAGRAM - EXTERNAL - 3φ WYE START DELTA RUN - SINGLE VOLTAGE		REF			
1	NEW DRAWING MU34618	KL 11-10-2000	DJK	.XXXX	±.0005	MAT'L.		FMF			
NO.	REVISION	BY & DATE	CHK	ANG	±7'30"	FINISH		PREV			
THIS DRAWING IN DESIGN AND DETAIL IS OUR PROPERTY AND MUST NOT BE USED EXCEPT IN CONNECTION WITH OUR WORK ALL RIGHTS OF DESIGN AND INVENTION ARE RESERVED THIS IS AN ELECTRONICALLY GENERATED DOCUMENT - DO NOT SCALE THIS PRINT				RFP	11-10-2000	CAD FILE EE7340D_LN		SIZE A	DRAWING NO. EE7340D_LN	PAGE OF 2	REV. 2