

# PRODUCT INFORMATION PACKET



Model No: SD6P40T61YET1

Catalog No: LM28149

40HP..1200RPM.364T.ODP.230/460V.3PH.60HZ.ELEVATOR.NOT.40C.1.0SF.RIGID..  
Elevator Duty



Regal and Leeson are trademarks of Regal Beloit Corporation or one of its affiliated companies.

©2018 Regal Beloit Corporation, All Rights Reserved. MC017097E



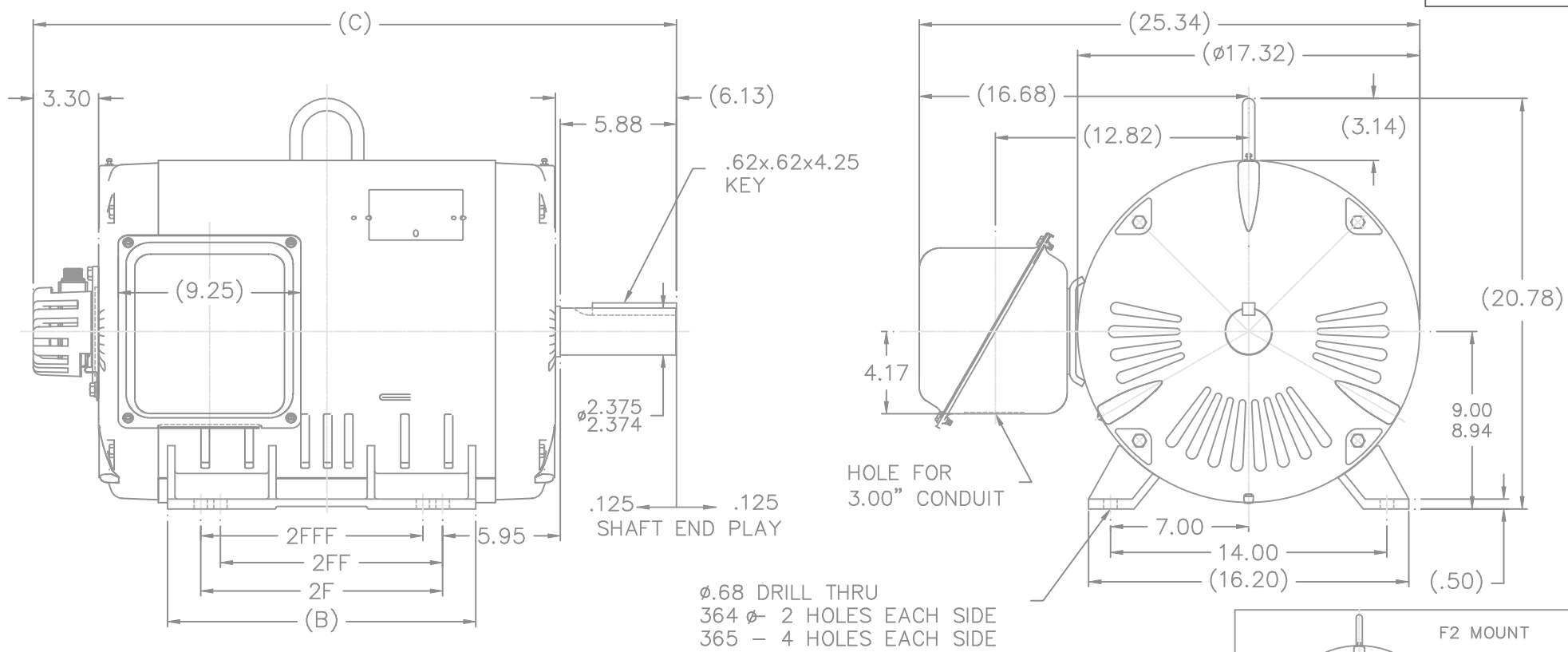


### Nameplate Specifications

Output HP	<b>40 Hp</b>	Output KW	<b>30 kW</b>
Frequency	<b>60 Hz</b>	Voltage	<b>230/460 V</b>
Current	<b>98/49 A</b>	Speed	<b>1187 rpm</b>
Service Factor	<b>1</b>	Phase	<b>3</b>
Efficiency	<b>93 %</b>	Duty	<b>SPECIAL</b>
Insulation Class	<b>F</b>	Design Code	<b>INV</b>
KVA Code	<b>J</b>	Frame	<b>364T</b>
Enclosure	<b>DP</b>	Overload Protector	<b>NOT</b>
Ambient Temperature	<b>40 °C</b>	Drive End Bearing Size	<b>313</b>
Opp Drive End Bearing Size	<b>311</b>	UL	<b>Recognized</b>
CSA	<b>Y</b>	CE	<b>Y</b>
IP Code	<b>22</b>		

### Technical Specifications

Electrical Type	<b>SQ CAGE INV DUTY</b>	Starting Method	<b>Y START D RUN OR INV</b>
Poles	<b>6</b>	Rotation	<b>REV</b>
Mounting	<b>RIGID</b>	Motor Orientation	<b>HORIZONTAL</b>
Drive End Bearing	<b>BALL</b>	Opp Drive End Bearing	<b>BALL</b>
Frame Material	<b>ROLLED STEEL</b>	Shaft Type	<b>T</b>
Overall Length	<b>31.56 in</b>	Frame Length	<b>15.48 in</b>
Shaft Diameter	<b>2.38 in</b>	Shaft Extension	<b>5.88 in</b>
Assembly/Box Mounting	<b>F1/F2 CAPABLE</b>		
Outline Drawing	<b>XH2D1ES33B-1548</b>	Connection Diagram	<b>A-EE7308BZ-LN</b>



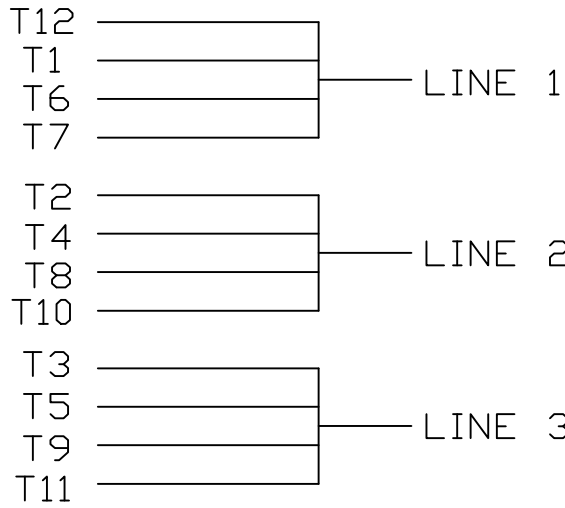
\*VVVF ELEVATOR HOIST MOTOR WITH SHAFT ENDPLAY\*

NOTES:  
1. NAMEPLATES TO BE READ FROM CONDUIT BOX SIDE OF MOTOR.

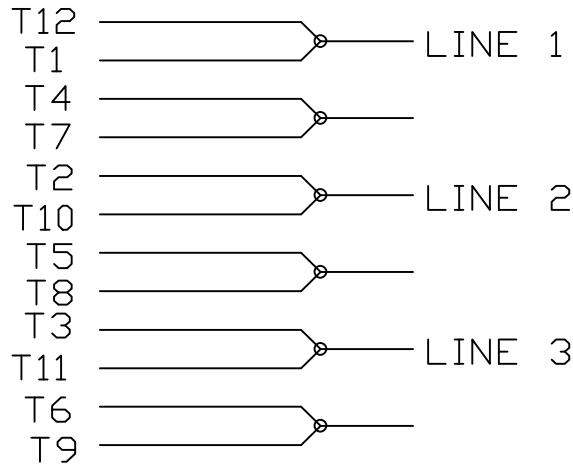
DASH	FRAME	C	B	2F	2FF	2FFF	BS
1548	364T	31.56	14.61	11.25			11.07
1648	365T	32.56	15.61	12.25	11.25	11.25	12.07

				TOLERANCES UNLESS SPECIFIED		Lincoln MOTORS		DRAWN RDH 11/27/2002	
				DEC.	INCHES			CHK	ML 11/27/2002
				.X	±.1			APPD	HNH 12/02/2002
				.XX	±.03	TITLE OUTLINE VVVF ELEVATOR HOIST MOTOR WITH SPL ENDPLAY 360T ODP UE		SCALE	1=5
				.XXX	±.005			REF	
				.XXXX	±.0005	MAT'L		FMF	
				CHK	ANG ±7'30"	FINISH		PREV	
1 NEW DRAWING MU43936 RDH 12/02/2002				HNH	.XXXX ±.0005	CAD FILE XH2D1ES33B		SIZE	DRAWING NO. PAGE OF REV.
NO. REVISION BY & DATE				RFP		B		XH2D1ES33B	1
THIS DRAWING IN DESIGN AND DETAIL IS OUR PROPERTY AND MUST NOT BE USED EXCEPT IN CONNECTION WITH OUR WORK ALL RIGHTS OF DESIGN AND INVENTION ARE RESERVED THIS IS AN ELECTRONICALLY GENERATED DOCUMENT - DO NOT SCALE THIS PRINT									

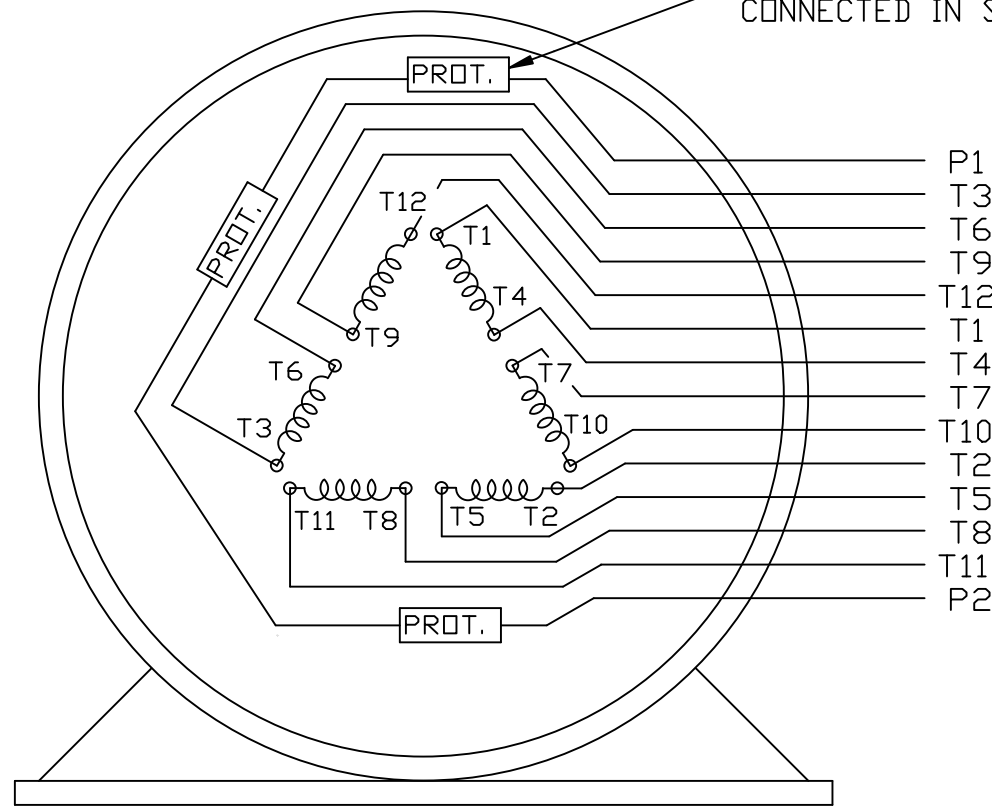
LOW VOLTAGE



HIGH VOLTAGE



THERMO - PROTECTORS  
CONNECTED IN SERIES.



VIEW OF TERMINAL END

					✓ UNLESS OTHERWISE SPECIFIED DIMENSIONS ARE IN INCHES TOL. ON XX±      XXX±      XXXX±      ANGLES±				
2	08/17/2011	REMOVED NOTE '12 LEADS SINGLE VOLTAGE'	MU103768		RFH	MAX. SURFACE ROUGHNESS UNLESS OTHERWISE NOTED		DRAWN BY KL	12-11-2000
1	12-11-2000	NEW DRAWING	MU34925		KL	FINISH		CHKD BY DJK	12-11-2000
REV	DATE	CHANGE	NAME		PART NAME	EXTERNAL CONNECTION DIAGRAM		DRWG NO	A- EE7308BZ-LN
					3 PHASE - 2/1 DELTA - 12 LEADS				
					PURCHASED	CADD FILE NO.	EE7308BZ-LN		