

# PRODUCT INFORMATION PACKET

Model No: LM28145

Catalog No: LM28145

Elevator Duty Motor, 30 HP, 3 Ph, 40 Hz, 230/460 V, 1200 RPM, 326T Frame, DP



Regal and are trademarks of Regal Rexnord Corporation or one of its affiliated companies.  
©2022 Regal Rexnord Corporation, All Rights Reserved. MC017097E

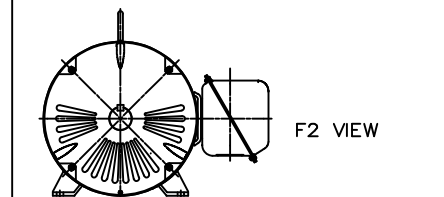
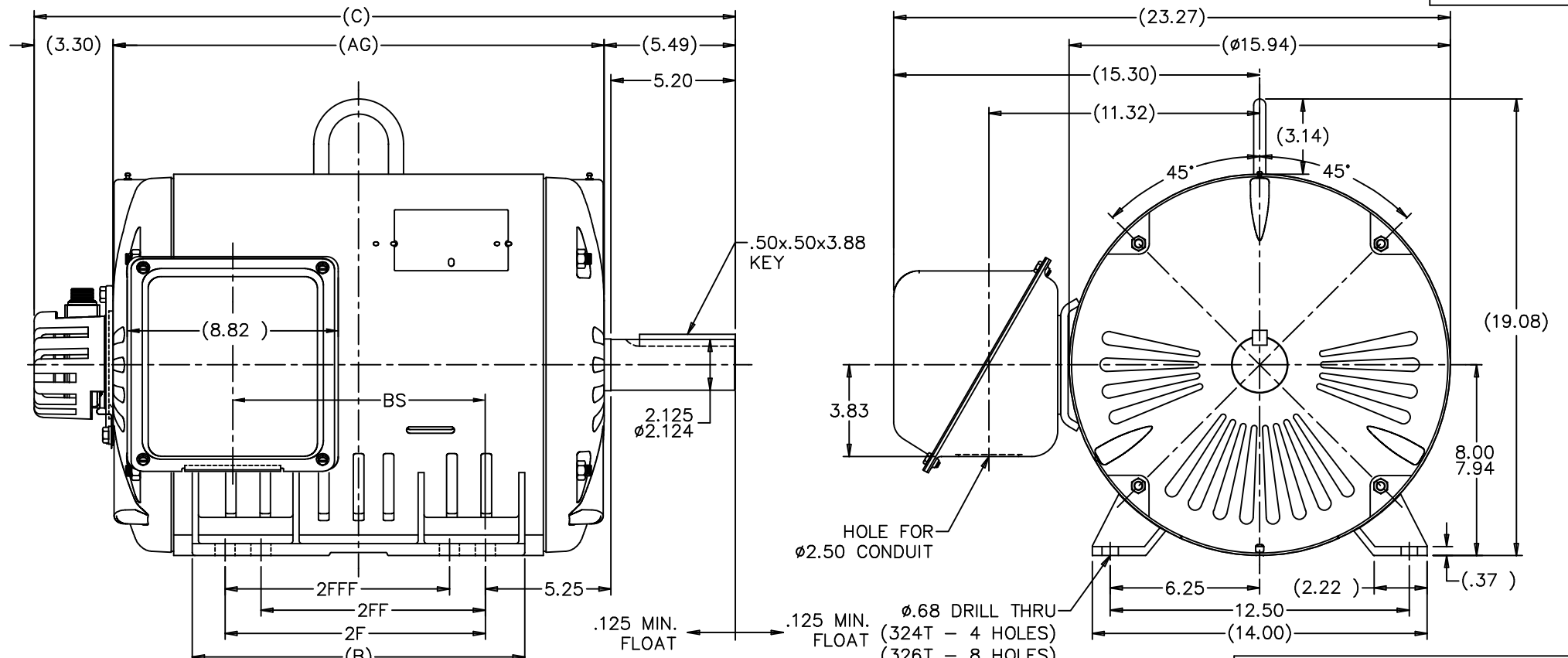
### Nameplate Specifications

Output HP	<b>30 Hp</b>	Output KW	<b>22.4 kW</b>
Frequency	<b>40 Hz</b>	Voltage	<b>230/460 V</b>
Current	<b>74.0/37.0 A</b>	Speed	<b>1180 rpm</b>
Service Factor	<b>1</b>	Phase	<b>3</b>
Efficiency	<b>91.7 %</b>	Power Factor	<b>82</b>
Duty	<b>Elevator</b>	Insulation Class	<b>F</b>
Design Code	<b>INV</b>	KVA Code	<b>L</b>
Frame	<b>326T</b>	Enclosure	<b>Drip Proof</b>
Thermal Protection	<b>No Protection</b>	Ambient Temperature	<b>40 °C</b>
Drive End Bearing Size	<b>311</b>	Opp Drive End Bearing Size	<b>309</b>
UL	<b>Recognized</b>	CSA	<b>Y</b>
CE	<b>N</b>	IP Code	<b>22</b>
Number of Speeds	<b>1</b>		

### Technical Specifications

Electrical Type	<b>Squirrel Cage Inverter Duty</b>	Starting Method	<b>Inverter Only</b>
Poles	<b>4</b>	Rotation	<b>Reversible</b>
Resistance Main	<b>.296 Ohms</b>	Mounting	<b>Rigid Base</b>
Motor Orientation	<b>Horizontal</b>	Drive End Bearing	<b>Ball</b>
Opp Drive End Bearing	<b>Ball</b>	Frame Material	<b>Rolled Steel</b>
Shaft Type	<b>T</b>	Overall Length	<b>30.80 in</b>
Frame Length	<b>17.13 in</b>	Shaft Diameter	<b>2.125 in</b>
Shaft Extension	<b>5.2 in</b>	Assembly/Box Mounting	<b>F1/F2 CAPABLE</b>
Outline Drawing	<b>XG2D1ES33B-1657</b>	Connection Drawing	<b>A-EE7308BZ-LN</b>

This is an uncontrolled document once printed or downloaded and is subject to change without notice. Date Created:09/07/2022

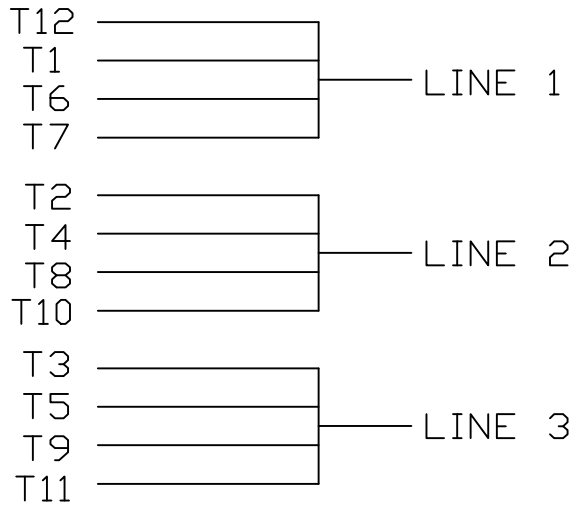


NOTES:  
 1. CONDUIT BOX CAN BE ROTATED IN 90° STEPS.  
 2. NAMEPLATES TO BE READ FROM CONDUIT BOX SIDE OF MOTOR.

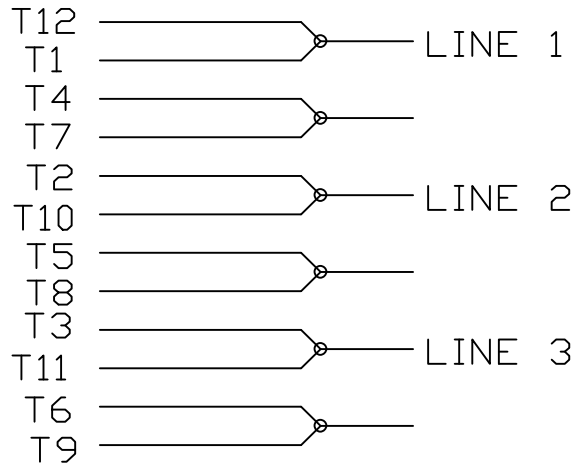
DASH	FRAME	C	AG	B	2F	2FF	2FFF	BS
1507	324T	29.30	20.51	13.52	10.50			10.51
1657	326T	30.80	22.01	15.02	12.00	10.50	10.50	12.01

		TOLERANCES UNLESS SPECIFIED				DRAWN CTO 06-10-2002			
		DEC.	INCHES			CHK	ML 06-10-2002		
		.X	±.1			APPD	HNH 06-10-2002		
		.XX	±.03	TITLE		SCALE	1=4		
		.XXX	±.005	VVVF ELEVATOR HOIST MOTOR 320 ODP UE		REF			
1	NEW DRAWING	MU41735	CTO 06/10/02	HNH	.XXXX	±.0005	MAT'L		
NO.	REVISION	BY & DATE	CHK	ANG	±7'30"	FINISH	PREV		
THIS DRAWING IN DESIGN AND DETAIL IS OUR PROPERTY AND MUST NOT BE USED EXCEPT IN CONNECTION WITH OUR WORK ALL RIGHTS OF DESIGN AND INVENTION ARE RESERVED THIS IS AN ELECTRONICALLY GENERATED DOCUMENT - DO NOT SCALE THIS PRINT				RFP	CAD FILE	xg2d1es33b	SIZE	DRAWING NO.	REV.
				DIST BY	B	XG2D1ES33B	1		

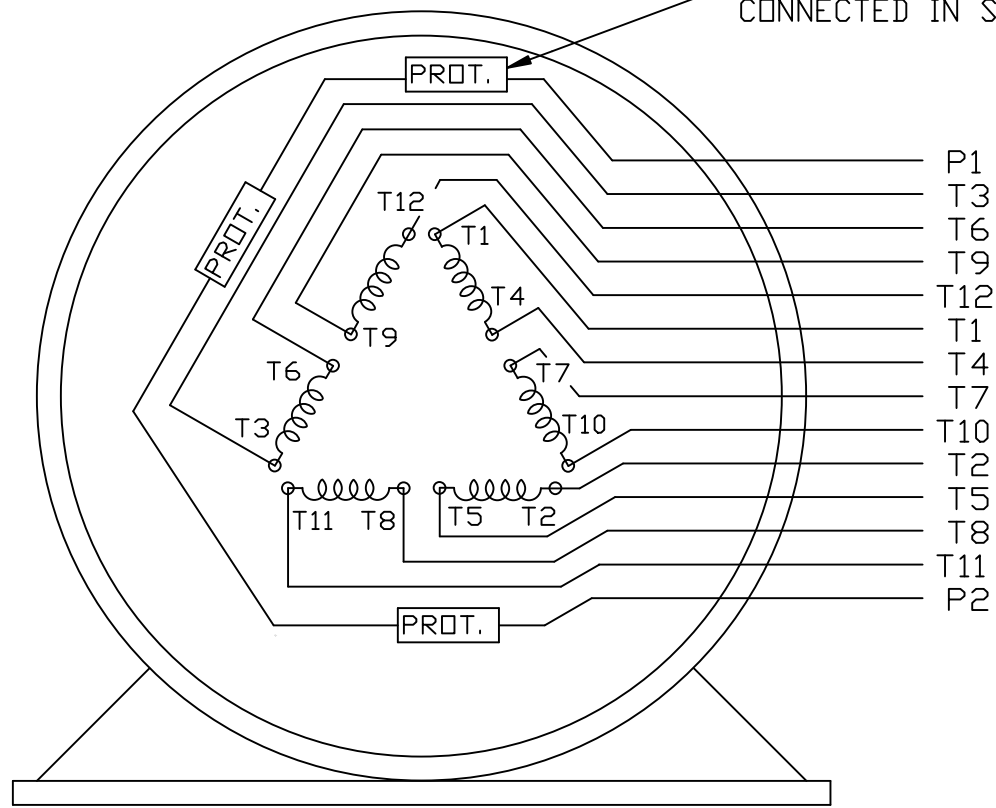
LOW VOLTAGE



HIGH VOLTAGE



THERMO - PROTECTORS CONNECTED IN SERIES.



VIEW OF TERMINAL END

					✓ UNLESS OTHERWISE SPECIFIED DIMENSIONS ARE IN INCHES TOL. ON XX±      XXX±      XXXX±      ANGLES±				
2	08/17/2011	REMOVED NOTE '12 LEADS SINGLE VOLTAGE'	MU103768		RFH	MAX. SURFACE ROUGHNESS UNLESS OTHERWISE NOTED		DRAWN BY KL	12-11-2000
1	12-11-2000	NEW DRAWING	MU34925		KL	FINISH		CHKD BY DJK	12-11-2000
REV	DATE	CHANGE	NAME		PART NAME	EXTERNAL CONNECTION DIAGRAM		DRWG NO	A- EE7308BZ-LN
				3 PHASE - 2/1 DELTA - 12 LEADS		PURCHASED		CADD FILE NO. EE7308BZ-LN	