

# PRODUCT INFORMATION PACKET

Model No: LM28138

Catalog No: LM28138

Elevator Duty Motor, 25 HP, 3 Ph, 60 Hz, 230/460 V, 1200 RPM, 324T Frame, DP



Regal and are trademarks of Regal Rexnord Corporation or one of its affiliated companies.  
©2022 Regal Rexnord Corporation, All Rights Reserved. MC017097E

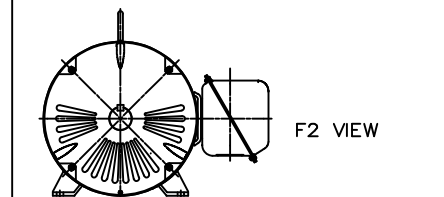
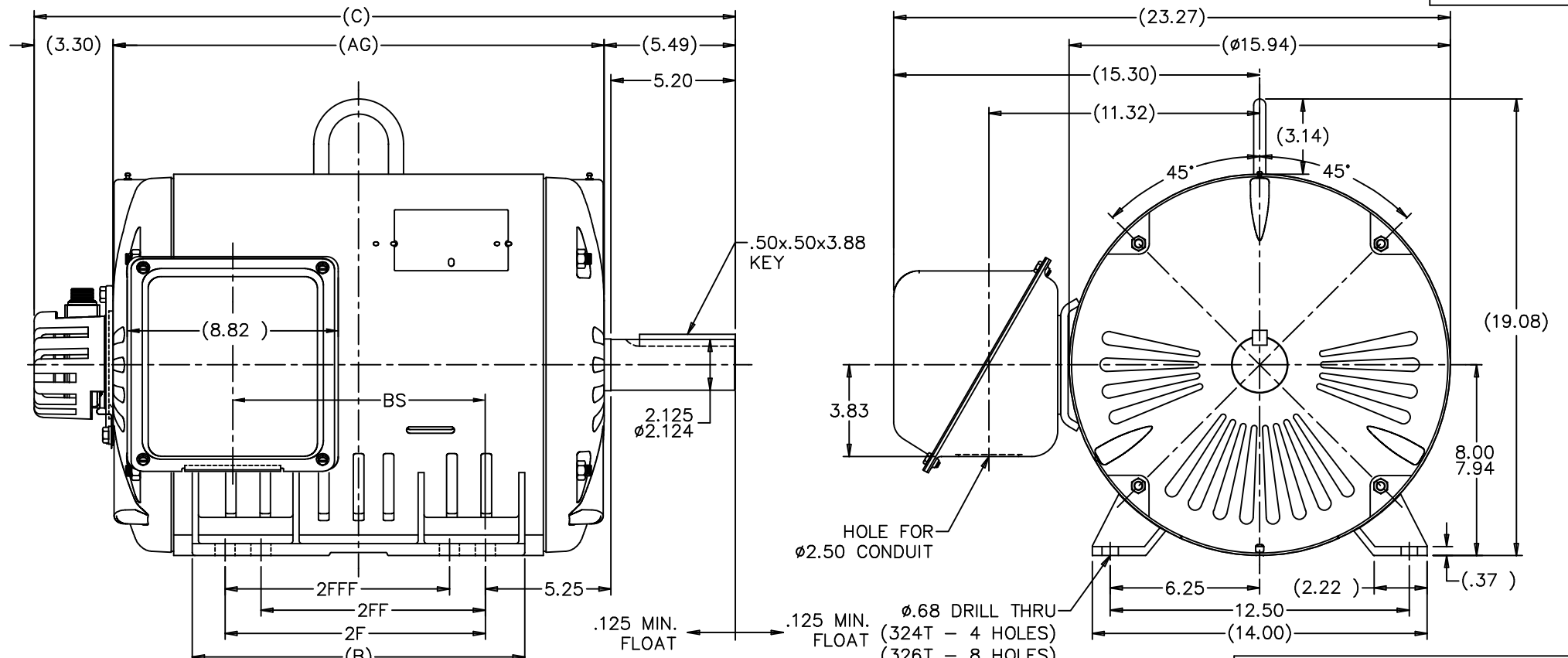
### Nameplate Specifications

Output HP	<b>25 Hp</b>	Output KW	<b>18.7 kW</b>
Frequency	<b>60 Hz</b>	Voltage	<b>230/460 V</b>
Current	<b>64.0/32.0 A</b>	Speed	<b>1185 rpm</b>
Service Factor	<b>1</b>	Phase	<b>3</b>
Efficiency	<b>91 %</b>	Power Factor	<b>80</b>
Duty	<b>Elevator</b>	Insulation Class	<b>F</b>
Design Code	<b>INV</b>	KVA Code	<b>K</b>
Frame	<b>324T</b>	Enclosure	<b>Drip Proof</b>
Thermal Protection	<b>No Protection</b>	Ambient Temperature	<b>40 °C</b>
Drive End Bearing Size	<b>311</b>	Opp Drive End Bearing Size	<b>309</b>
UL	<b>Recognized</b>	CSA	<b>Y</b>
CE	<b>Y</b>	IP Code	<b>22</b>
Number of Speeds	<b>1</b>		

### Technical Specifications

Electrical Type	<b>Squirrel Cage Inverter Duty</b>	Starting Method	<b>Wye Start Delta Run Or Inverter</b>
Poles	<b>6</b>	Rotation	<b>Reversible</b>
Resistance Main	<b>.22 Ohms</b>	Mounting	<b>Rigid Base</b>
Motor Orientation	<b>Horizontal</b>	Drive End Bearing	<b>Ball</b>
Opp Drive End Bearing	<b>Ball</b>	Frame Material	<b>Rolled Steel</b>
Shaft Type	<b>T</b>	Overall Length	<b>29.30 in</b>
Frame Length	<b>15.07 in</b>	Shaft Diameter	<b>2.125 in</b>
Shaft Extension	<b>5.25 in</b>	Assembly/Box Mounting	<b>F1/F2 CAPABLE</b>
Outline Drawing	<b>XG2D1ES33B-1507</b>	Connection Drawing	<b>A-EE7308BZ-LN</b>

This is an uncontrolled document once printed or downloaded and is subject to change without notice. Date Created:09/07/2022

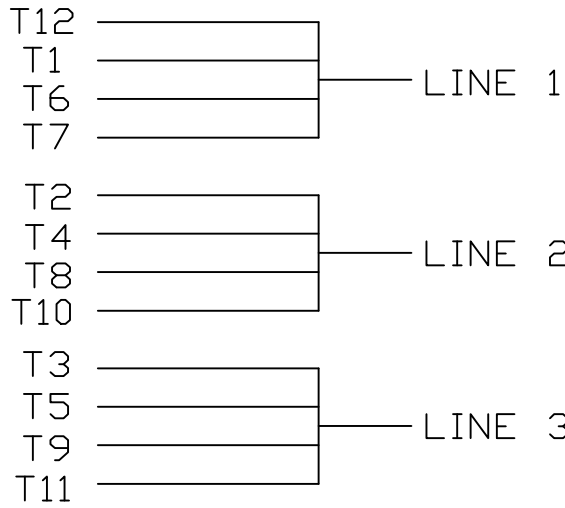


NOTES:  
 1. CONDUIT BOX CAN BE ROTATED IN 90° STEPS.  
 2. NAMEPLATES TO BE READ FROM CONDUIT BOX SIDE OF MOTOR.

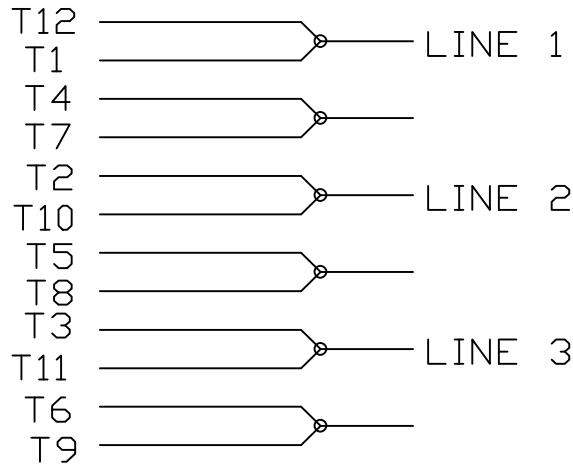
DASH	FRAME	C	AG	B	2F	2FF	2FFF	BS
1507	324T	29.30	20.51	13.52	10.50			10.51
1657	326T	30.80	22.01	15.02	12.00	10.50	10.50	12.01

				TOLERANCES UNLESS SPECIFIED		Lincoln MOTOR		DRAWN CTO 06-10-2002	
				DEC.	INCHES			CHK	ML 06-10-2002
				.X	±.1			APPD	HNH 06-10-2002
				.XX	±.03	TITLE		SCALE	1=4
				.XXX	±.005	VVVF ELEVATOR HOIST MOTOR 320 ODP UE		REF	
NO.	REVISION	MU41735	CTO 06/10/02	HNH	.XXXX	±.0005	MATL	FMF	PREV
				CHK	ANG	±7'30"	FINISH	PREV	
				RFP	CAD FILE		xg2d1es33b	SIZE	DRAWING NO.
				DIST	BY			B	XG2D1ES33B
				THIS DRAWING IN DESIGN AND DETAIL IS OUR PROPERTY AND MUST NOT BE USED EXCEPT IN CONNECTION WITH OUR WORK ALL RIGHTS OF DESIGN AND INVENTION ARE RESERVED THIS IS AN ELECTRONICALLY GENERATED DOCUMENT - DO NOT SCALE THIS PRINT				REV.	1

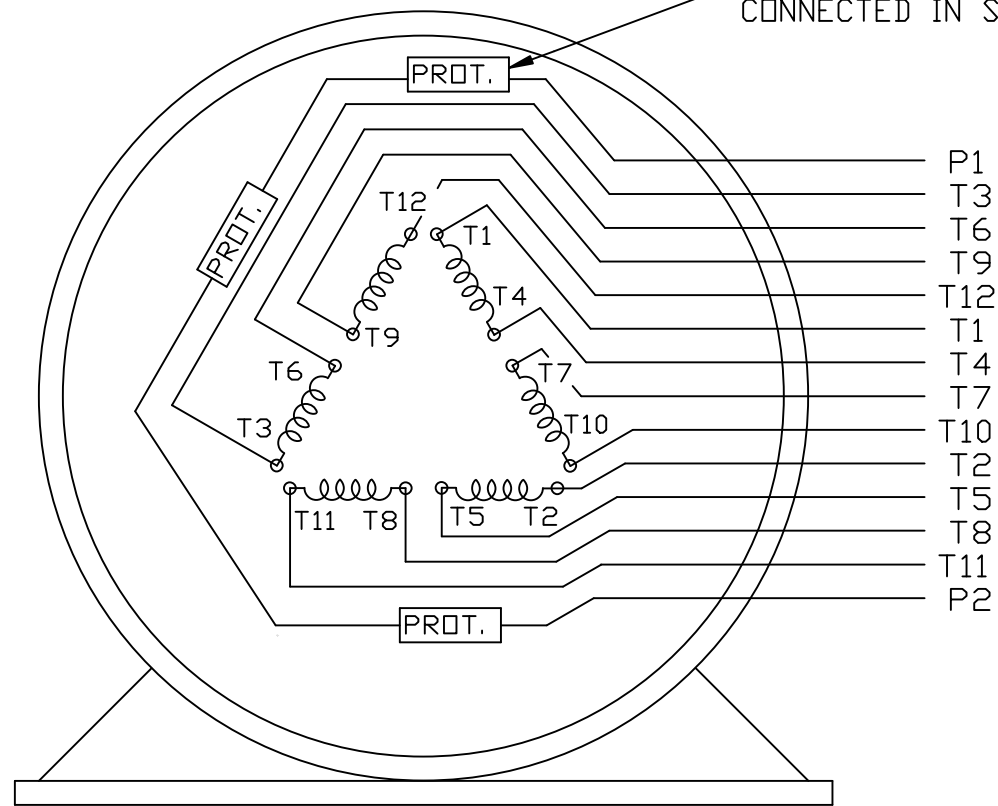
LOW VOLTAGE



HIGH VOLTAGE



THERMO - PROTECTORS  
CONNECTED IN SERIES.



VIEW OF TERMINAL END

					✓ UNLESS OTHERWISE SPECIFIED DIMENSIONS ARE IN INCHES TOL. ON XX±      XXX±      XXXX±      ANGLES±				
2	08/17/2011	REMOVED NOTE '12 LEADS SINGLE VOLTAGE'	MU103768		RFH	MAX. SURFACE ROUGHNESS UNLESS OTHERWISE NOTED		DRAWN BY KL	12-11-2000
						FINISH		CHKD BY DJK	12-11-2000
1	12-11-2000	NEW DRAWING	MU34925		KL	MATERIAL		APPD BY DJK	12-11-2000
REV	DATE	CHANGE		NAME	PART NAME EXTERNAL CONNECTION DIAGRAM 3 PHASE - 2/1 DELTA - 12 LEADS			DRWG NO A- EE7308BZ-LN	
					PURCHASED	CADD FILE NO.	EE7308BZ-LN		



**2100 WASHINGTON ST.  
GRAFTON, WI  
PH. 262-277-8810**

**CERTIFICATION DATA SHEET**

**CONN. DIAGRAM:** A-EE7308BZ-LN

CATALOG #: LM28138

**OUTLINE:** XG2D1ES33B-1507

**WINDING #:** L3246016 1

**MOUNTING:** F1/F2 CAPABLE

**TYPICAL MOTOR PERFORMANCE DATA**

HP	kW	SYNC. RPM	F.L. RPM	FRAME	ENCLOSURE	KVA CODE	DESIGN
25	18.7	1200	1185	324T	DP	K	INV

PH	Hz	VOLTS	AMPS	START TYPE	DUTY	INSL	S.F.	AMB°C
3	60	230/460	64/32	Y START D RUN OR INV	ELEVATOR	F1	1.0	40

FULL LOAD EFF:	91	3/4 LOAD EFF:	90.2	1/2 LOAD EFF:	89.5	GTD. EFF	ELEC. TYPE
FULL LOAD PF:	80	3/4 LOAD PF:	74	1/2 LOAD PF:	63	89.5	SQ CAGE INV DUTY

F.L. TORQUE	LOCKED ROTOR AMPS	L.R. TORQUE	B.D. TORQUE	F.L. RISE°C
111 LB-FT	520 / 260	235 LB-FT 212 %	360 LB-FT 324 %	100

SOUND PRESSURE @ 3 FT.	SOUND POWER	ROTOR WK^2	MAX. WK^2	SAFE STALL TIME	STARTS / HOUR	APPROX. MOTOR WGT
69 dBA	79 dBA	0 LB-FT^2	- LB-FT^2	- SEC.	-	- LBS.

**\*\*\* SUPPLEMENTAL INFORMATION \*\*\***

DE BRACKET TYPE	ODE BRACKET TYPE	MOUNT TYPE	ORIENTATION	SEVERE DUTY	HAZARDOUS LOCATION	DRIP COVER	SCREENS	PAINT
STANDARD	ENCODER	RIGID	HORIZONTAL	FALSE	NONE	FALSE	NONE	GRAY - LINCOLN

BEARINGS		GREASE	SHAFT TYPE	SPECIAL DE	SPECIAL ODE	SHAFT MATERIAL	FRAME MATERIAL
DE	ODE						
BALL	BALL	POLYREX EM	T	NONE	NONE	1045 HOT ROLLED (C-204)	ROLLED STEEL
311	309						

THERMO-PROTECTORS				THERMISTORS	CONTROL	SPACE HEATERS
THERMOSTATS	PROTECTORS	WDG RTDs	BRG RTDs			
TSTATS (N/C)	NOT	NONE	NONE	NONE	FALSE	NONE VOLTS

\*  
N  
O  
T  
E  
S  
\*

<b>INVERTER TORQUE:</b> CONSTANT 1000:1
<b>INV. HP SPEED RANGE:</b> NONE
<b>ENCODER:</b> REGAL SUPPLIED - REGAL MOUNT
DYNAPAR HS35 LINCOLN
MS CONNECTOR 1024 PPR
<b>BRAKE:</b> NONE NONE
NONE P/N NONE
NONE NONE
NONE FT-LB NONE V NONE Hz



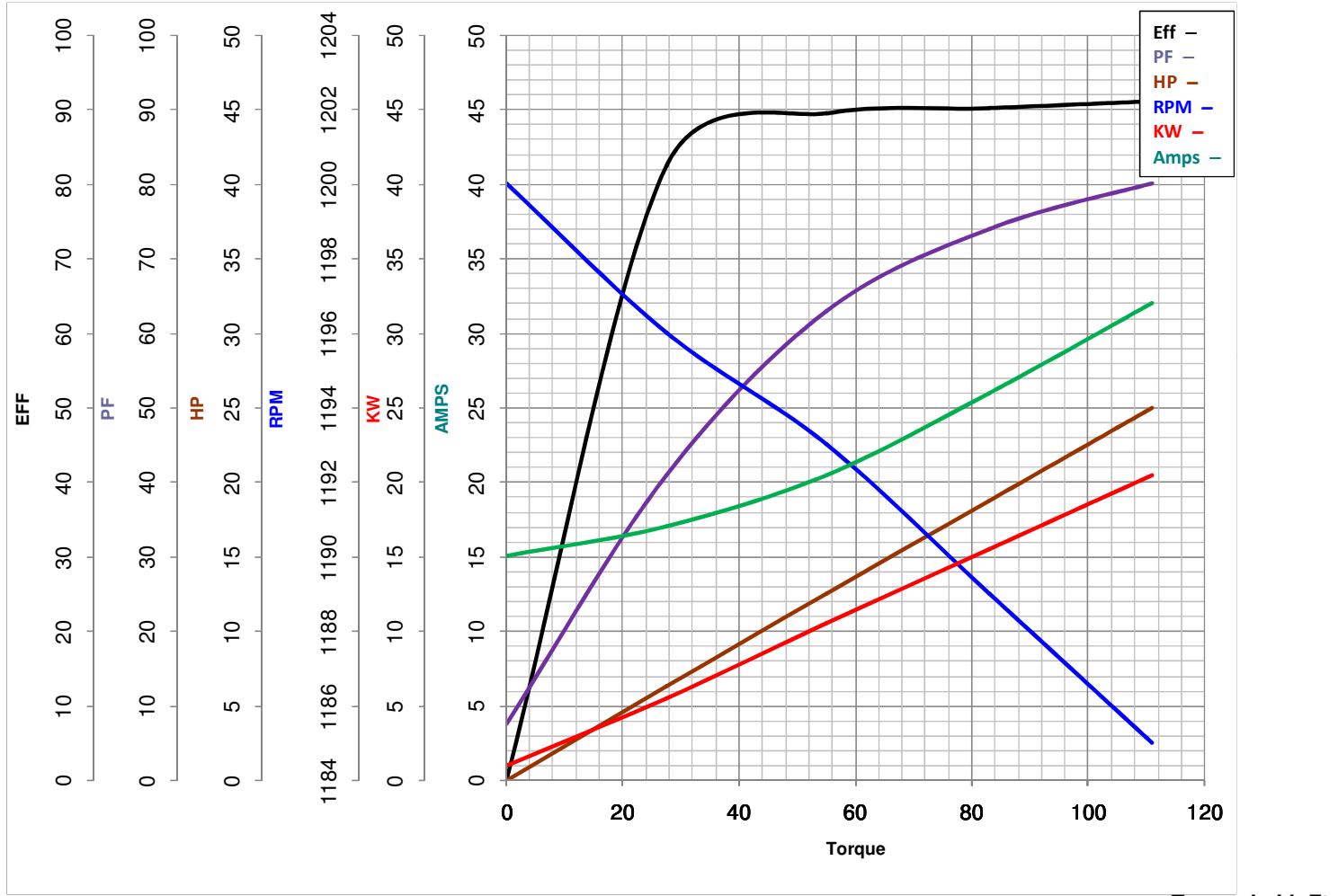
**LEESON ELECTRIC CORPORATION**  
TYPICAL PERFORMANCE CURVE for AC MOTOR

Model No LM28138

Curve at 460 Volts HP 25.00 PHASE 3  
60 HZ  
25 HP VOLTS 230/460

Catalog No LM28138BA

HZ 60 RPM 1185



<b>FL TORQUE</b>	<u>111</u>	Lb.Ft	<b>FL AMPS</b>	<u>64/32</u>	
<b>BD TORQUE</b>	<u>360.0</u>	Lb.Ft	<b>PU TORQUE</b>	<u>223.0</u>	Lb.Ft
<b>LR TORQUE</b>	<u>235</u>	Lb.Ft	<b>LR AMPS</b>	<u>260</u>	
<b>WINDING</b>	<u>L3246016-1</u>		<b>Date</b>	<u>6/4/2018</u>	