

PRODUCT INFORMATION PACKET



Model No: SD6S20T61YET1

Catalog No: LM28132

20HP..1200RPM.286T.ODP.230/460V.3PH.60HZ.ELEVATOR.NOT.40C.1.0SF.RIDGID..
Elevator Duty



Regal and Leeson are trademarks of Regal Beloit Corporation or one of its affiliated companies.

©2018 Regal Beloit Corporation, All Rights Reserved. MC017097E



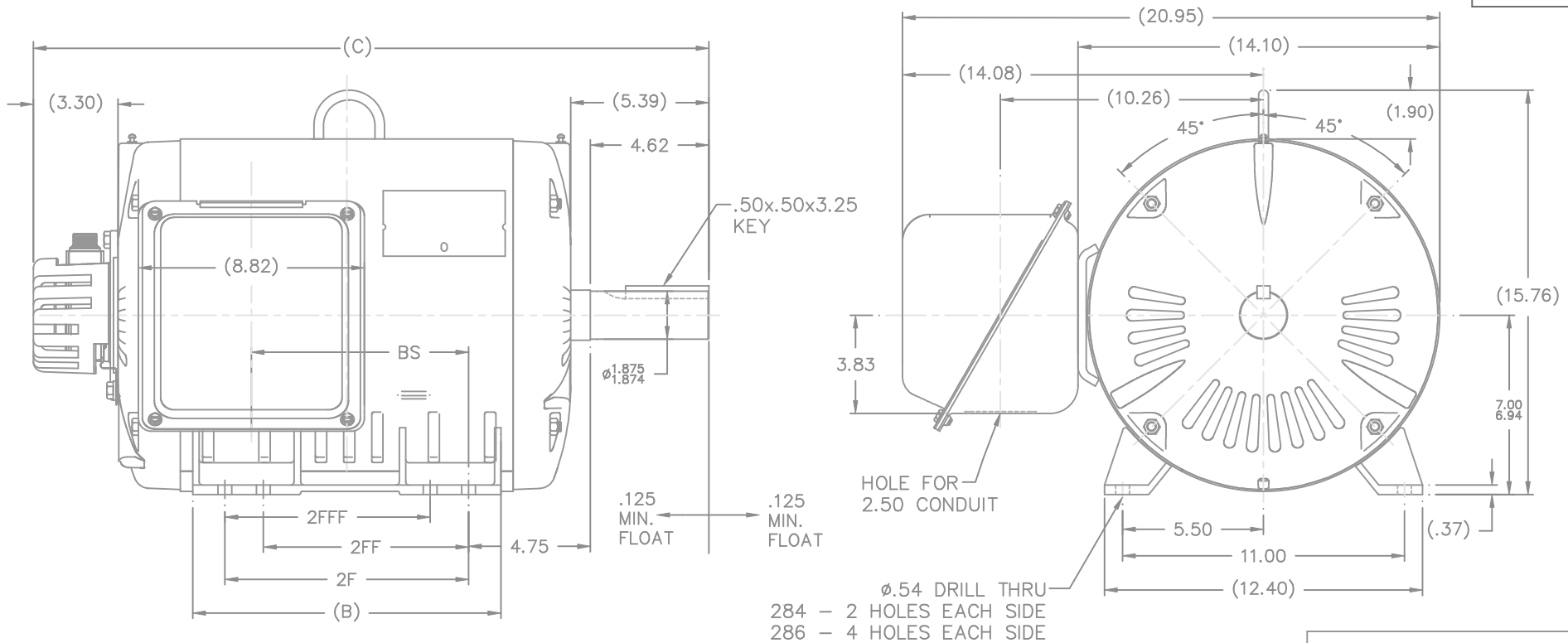


Nameplate Specifications

Output HP	20 Hp	Output KW	14.9 kW
Frequency	60 Hz	Voltage	230/460 V
Current	61/30.5 A	Speed	1182 rpm
Service Factor	1	Phase	3
Efficiency	85.5 %	Duty	SPECIAL
Insulation Class	F	Design Code	INV
KVA Code	L	Frame	286T
Enclosure	DP	Overload Protector	NOT
Ambient Temperature	40 °C	Drive End Bearing Size	310
Opp Drive End Bearing Size	209	UL	Recognized
CSA	Y	CE	Y
IP Code	22		

Technical Specifications

Electrical Type	SQ CAGE INV DUTY	Starting Method	Y START D RUN OR INV
Poles	6	Rotation	REV
Mounting	RIGID	Motor Orientation	HORIZONTAL
Drive End Bearing	BALL	Opp Drive End Bearing	BALL
Frame Material	ROLLED STEEL	Shaft Type	T
Overall Length	27.96 in	Frame Length	14.48 in
Shaft Diameter	1.88 in	Shaft Extension	4.62 in
Assembly/Box Mounting	F1/F2 CAPABLE		
Outline Drawing	XF2D1ES33B-1448	Connection Diagram	A-EE7308BZ-LN

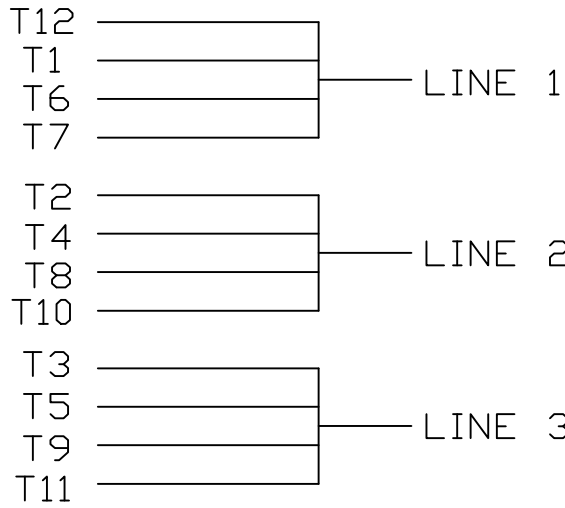


- NOTES:
1. CONDUIT BOX CAN BE ROTATED IN 90° STEPS
 2. NAMEPLATES TO BE READ FROM CONDUIT BOX SIDE OF MOTOR.

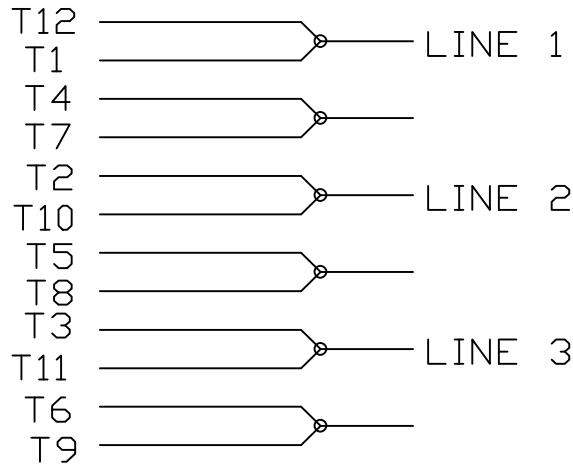
DASH	FRAME	C	B	2F	2FF	2FFF	BS
1298	284T	26.46	12.02	9.50	9.50	9.50	8.47
1448	286T	27.96	13.52	11.00	9.50	9.50	9.97

				TOLERANCES UNLESS SPECIFIED		Lincoln MOTORS		DRAWN CTO 11-21-2002	
				DEC.	INCHES			CHK	ML 11-21-2002
				.X	±.1			APPD	HNH 11-21-2002
				.XX	±.02	TITLE OUTLINE W/ ENCODER		SCALE	1=4
				.XXX	±.005	VVVF ELEVATOR HOIST MOTOR 280T ODP		REF	
				CHK	ANG ±7'30"	FINISH		FMF	
				RFP		CAD FILE xf2d1es33b		PREV	
1 NEW DRAWING MU43932 CTO 11-21-2002 REVISION BY & DATE THIS DRAWING IN DESIGN AND DETAIL IS OUR PROPERTY AND MUST NOT BE USED EXCEPT IN CONNECTION WITH OUR WORK ALL RIGHTS OF DESIGN AND INVENTION ARE RESERVED THIS IS AN ELECTRONICALLY GENERATED DOCUMENT - DO NOT SCALE THIS PRINT				DIST	BY	SIZE	DRAWING NO.	PAGE OF	REV.
						B	XF2D1ES33B	1	1

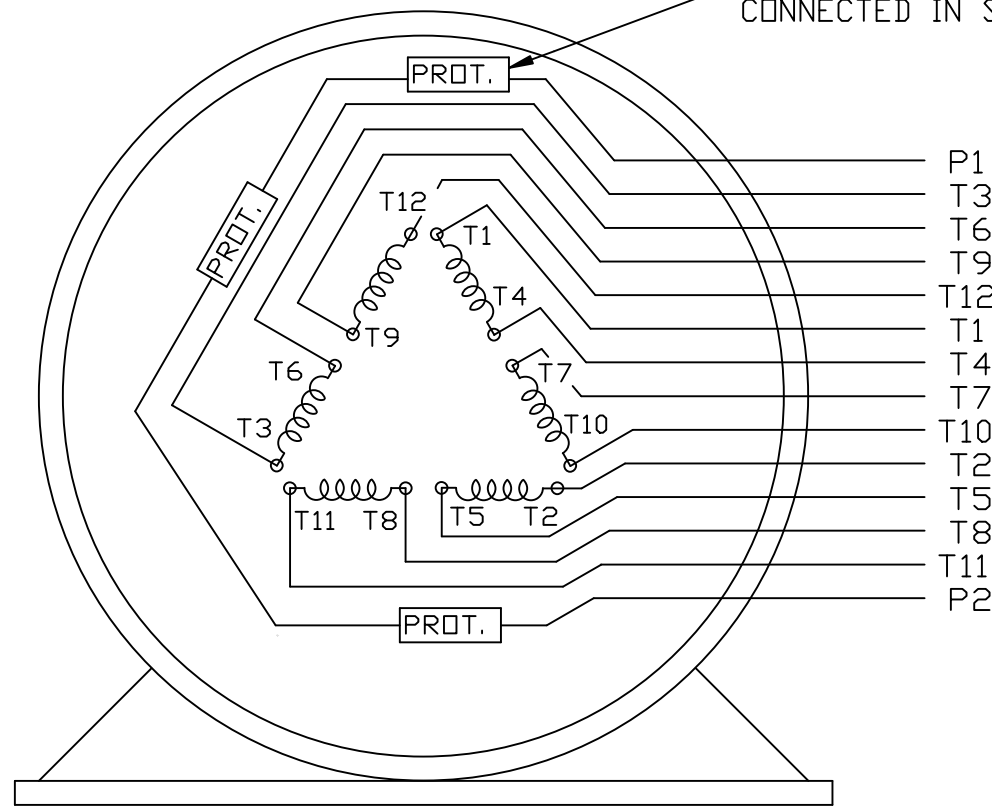
LOW VOLTAGE



HIGH VOLTAGE



THERMO - PROTECTORS
CONNECTED IN SERIES.



VIEW OF TERMINAL END

					✓ UNLESS OTHERWISE SPECIFIED DIMENSIONS ARE IN INCHES TOL. ON XX± XXX± XXXX± ANGLES±				
2	08/17/2011	REMOVED NOTE '12 LEADS SINGLE VOLTAGE'	MU103768		RFH	MAX. SURFACE ROUGHNESS UNLESS OTHERWISE NOTED		DRAWN BY KL	12-11-2000
1	12-11-2000	NEW DRAWING	MU34925		KL	FINISH		CHKD BY DJK	12-11-2000
REV	DATE	CHANGE	NAME		PART NAME	MATERIAL		APPD BY DJK	12-11-2000
				3 PHASE - 2/1 DELTA - 12 LEADS				DRWG NO A- EE7308BZ-LN	
					PURCHASED		CADD FILE NO. EE7308BZ-LN		