

PRODUCT INFORMATION PACKET

Model No: LM27996
Catalog No: LM27996
5,1800,TEAO,184TZ,1/60/230

Regal and are trademarks of Regal Rexnord Corporation or one of its affiliated companies.
©2022 Regal Rexnord Corporation, All Rights Reserved. MC017097E



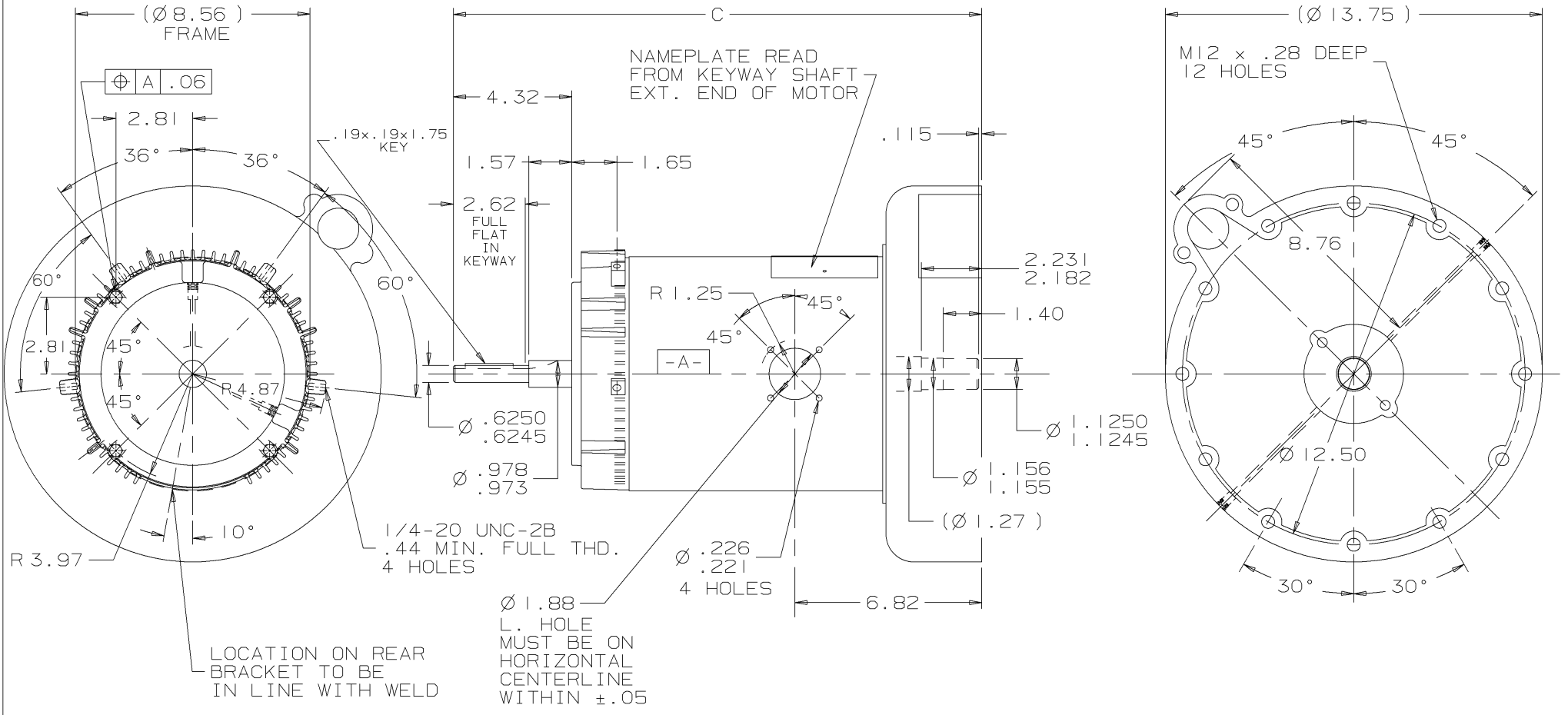
Nameplate Specifications

Output HP	5 Hp	Output KW	3.7 kW
Frequency	60 Hz	Voltage	230 V
Current	21.0 A	Speed	1750 rpm
Service Factor	1.15	Phase	1
Efficiency	82.5 %	Power Factor	92.8
Duty	Continuous	Insulation Class	F
Design Code	L	KVA Code	H
Frame	184TZ	Enclosure	Totally Enclosed Air Over
Thermal Protection	Thermostat	Ambient Temperature	40 °C
Drive End Bearing Size	207	Opp Drive End Bearing Size	205
UL	No	CSA	Y
CE	N	IP Code	43
Number of Speeds	1		

Technical Specifications


Electrical Type	Capacitor Start Capacitor Run	Starting Method	Across The Line
Poles	4	Rotation	Selective Counterclockwise
Mounting	Round	Motor Orientation	Horizontal
Drive End Bearing	Ball	Opp Drive End Bearing	Ball
Frame Material	Rolled Steel	Shaft Type	Special Extension Both Sides
Shaft Diameter	0.625 in	Assembly/Box Mounting	F1 ONLY
Outline Drawing	B-SS67691LN-925	Connection Drawing	A-EE9048LU-LN

This is an uncontrolled document once printed or downloaded and is subject to change without notice. Date Created:11/10/2022

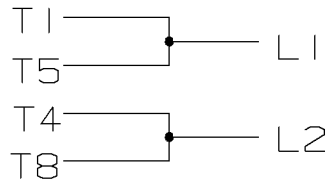


DASH	FRAME	C		
925	180	19.20		

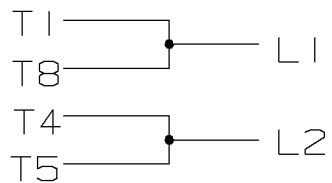
NO.	REVISION	BY	DATE	CHK	ANG
1	NEW DRAWING MU41571	CAV	05-17-2002	PH	.XXX ±.0005
					±7'30"

TOLERANCES UNLESS SPECIFIED			DRAWN	CAV 05-17-2002
DEC.	TOLERANCE		CHK	ML 05-17-2002
.X	±.1		APPD	PH 05-17-2002
.XX	±.03	TITLE	OUTLINE	
.XXX	±.005		180 FR. SULLAIR	
.XXXX	±.0005	✓ SURFACE ROUGHNESS UNLESS SPECIFIED	MAT'L.	FMF
			FINISH	PREV
PURCHASED		CAD FILE	SS67691LN	SHOP BOOK
DIST		WA	LB	WC
		UX	DR	EX
THIS DRAWING IN DESIGN AND DETAIL IS OUR PROPERTY AND MUST NOT BE USED EXCEPT IN CONNECTION WITH OUR WORK. ALL RIGHTS OF DESIGN AND INVENTION ARE RESERVED. THIS IS AN ELECTRONICALLY GENERATED DOCUMENT - DO NOT SCALE THIS PRINT			SIZE	DRAWING NO.
			1	SS67691LN
				REV.
				1

C.W. ROTATION

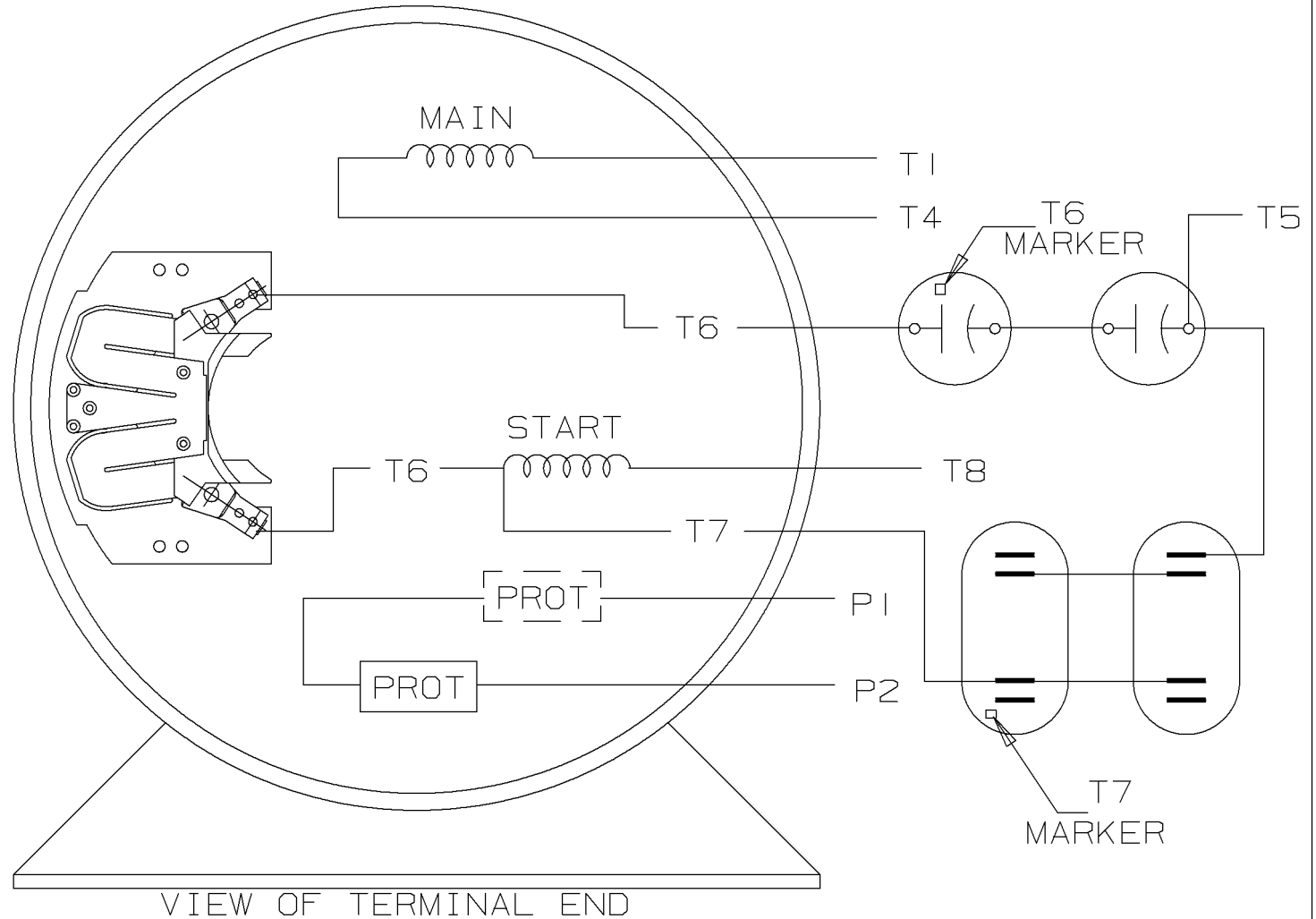


C.C.W. ROTATION



SINGLE VOLTAGE
CAPACITOR START
CAPACITOR RUN
REVERSIBLE

CONNECT:
START CAPACITORS IN SERIES
RUN CAPACITORS IN PARALLEL



					✓ UNLESS OTHERWISE SPECIFIED DIMENSIONS ARE IN INCHES TOL. ON XX± XXX±.005 XXXX±.0005 ANGLES±			
					MAX. SURFACE ROUGHNESS UNLESS OTHERWISE NOTED		DRAWN BY TJB 10-27-1999	
					FINISH		CHKD BY ML 10-27-1999	
1	10-27-1999	NEW DRAWING	TJB		MATERIAL	APPD BY GK 10-27-1999		
REV	DATE	CHANGE	NAME	PART NAME CONNECTION DIAGRAM 180-210 SWITCH			DRWG NO A- EE9048LU-LN	
					PURCHASED	CADD FILE NO.	EE9048LU-LN	