

# PRODUCT INFORMATION PACKET



Model No: LM27224  
Catalog No: LM27224  
75,1800/900,TEFC,405T,3/60/460

Regal and Leeson are trademarks of Regal Rexnord Corporation or one of its affiliated companies.  
©2023 Regal Rexnord Corporation, All Rights Reserved. MC017097E





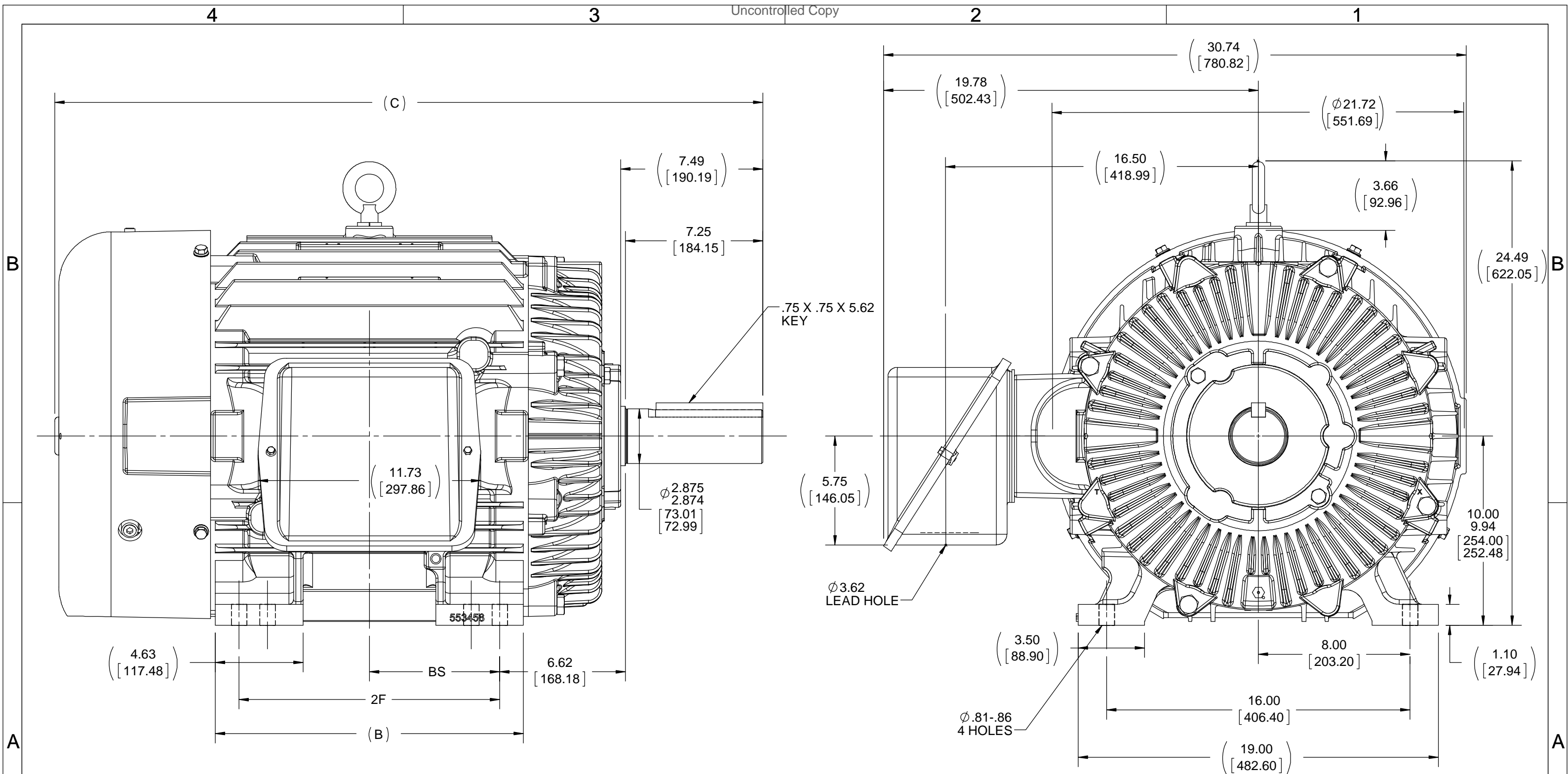
### Nameplate Specifications

Phase	3	Output HP	75 & 18.80 Hp
Output KW	56.0 & 14.0 kW	Voltage	460 & 460 V
Speed	1780 & 890 rpm	Service Factor	1.15 & 1.15
Frame	405T	Enclosure	Totally Enclosed Fan Cooled
Thermal Protection	No Protection	Efficiency	90.2 & 85.5 %
Ambient Temperature	40 °C	Frequency	60 & 60 Hz
Current	87 & 28 A	Power Factor	88
Duty	Continuous	Insulation Class	F
Design Code	2VT	KVA Code	K
Drive End Bearing Size	316	Opp Drive End Bearing Size	313
UL	No	CSA	Y
CE	Y	IP Code	43
Number of Speeds	2		

### Technical Specifications

Electrical Type	Squirrel Cage Induction Run	Starting Method	Across The Line
Poles	4//8	Rotation	Reversible
Resistance Main	.1212 Ohms	Mounting	Rigid Base
Motor Orientation	Horizontal	Drive End Bearing	Ball
Opp Drive End Bearing	Ball	Frame Material	Cast Iron
Shaft Type	T	Assembly/Box Mounting	F1/F2 CAPABLE
Outline Drawing	B-SS504699LN-1675	Connection Drawing	A-EE7317-LN

This is an uncontrolled document once printed or downloaded and is subject to change without notice. Date Created:06/23/2023



- NOTES:**
1. CONDUIT BOX CAN BE ROTATED IN 90° STEPS.
  2. CONDUIT BOX CAN BE MOUNTED ON OPPOSITE SIDE BY REMOVING BRACKET AND TURNING FRAME 180°.
  3. NAME PLATE TO BE READ FROM CONDUIT BOX SIDE OF MOTOR.

DRAWING REVISION B	REVISION BY NK	DATE 8/14/2018
ECO ECO-0150706	APPROVED BY SR	DATE 8/14/2018
ECO DESCRIPTION <b>REDRAWN IN SOLIDWORKS</b> COPYRIGHT REGAL BELOIT AMERICA, INC. ALL RIGHTS RESERVED. PROPRIETARY AND CONFIDENTIAL INFORMATION - THIS DOCUMENT IS THE PROPERTY OF REGAL BELOIT AMERICA, INC. (OWNER) AND CONTAINS OWNER'S PROPRIETARY INFORMATION. ANY PERSON, CORPORATION OR OTHER FIRM RECEIVING IT IS DEEMED, BY RECEIVING IT, TO AGREE THAT IT, AND/OR ANY PART OF IT, SHALL NOT BE DISCLOSED TO ANY PERSON, CORPORATION OR OTHER ENTITY, DUPLICATED, AND/OR USED, EXCEPT AS EXPRESSLY APPROVED IN WRITING IN ADVANCE BY OWNER. THIS DOCUMENT SHALL BE RETURNED TO OWNER UPON REQUEST. IT MAY BE SUBJECT TO CERTAIN RESTRICTIONS UNDER APPLICABLE EXPORT CONTROL LAWS AND REGULATIONS.		

TOLERANCES UNLESS OTHERWISE SPECIFIED:

DEC.	INCH	mm	ANGLE
.X	±0.1	[±2.5]	±0.5°
.XX	±0.01	[±0.25]	
.XXX	±0.005	[±0.127]	
.XXXX	±0.0005	[±0.0127]	

REMOVE BURRS & BREAK SHARP EDGES: .003/.015 [0.076/.381] X 45°  
CORNER FILLETS: R.02 [0.51]  
MACHINED SURFACES: 125 INCH 3.2/mm

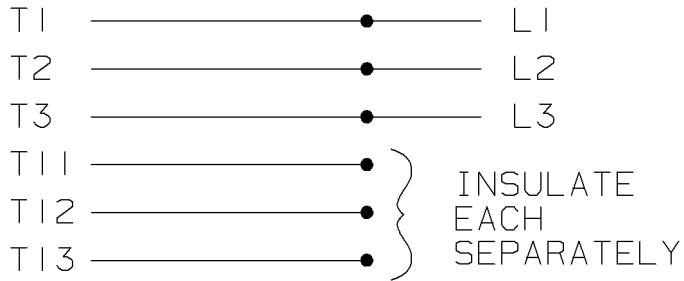
mm SHOWN IN [BRACKETS]

DRAWN BY KL	DATE 10-30-2000
APPROVED BY DJK	DATE 10-30-2000
REFERENCE B-SS504699LN	THIRD ANGLE PROJECTION

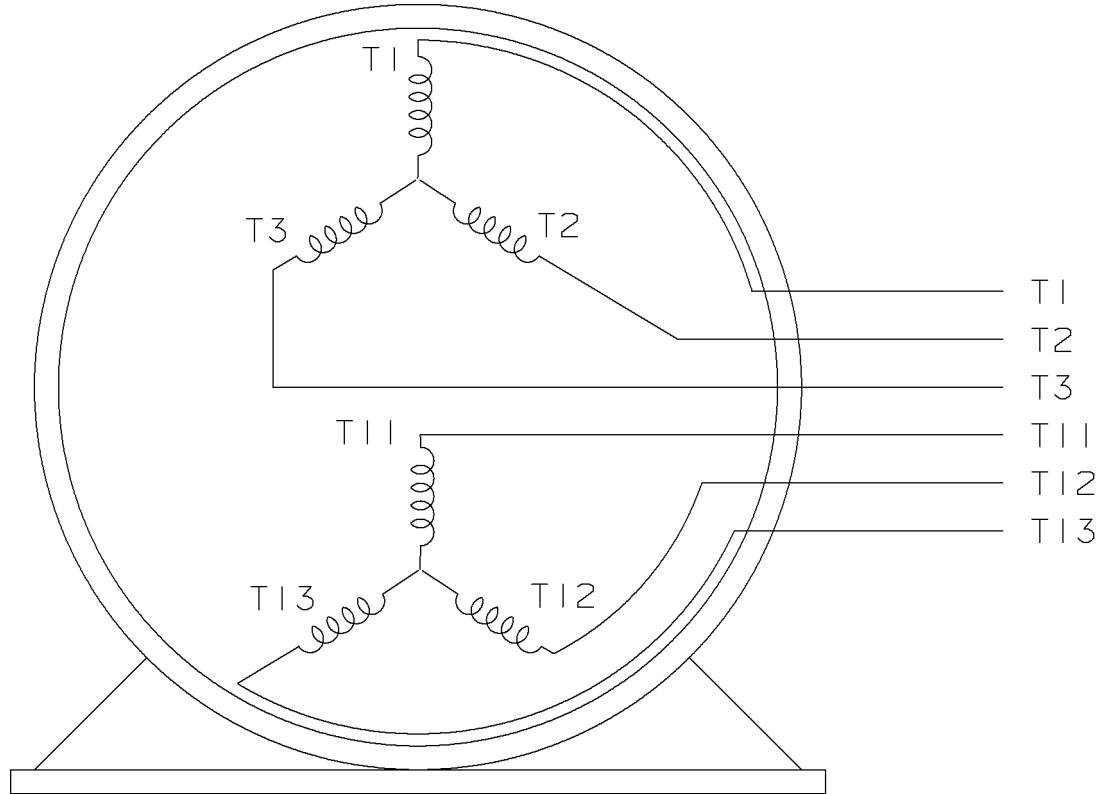
<b>REGAL</b> ™ Regal Beloit America, Inc.	
DESCRIPTION <b>OUTLINE</b> 400T FR. - TEFC - STD.	
MATERIAL	PROCESS/FINISH
SIZE B	DRAWING NUMBER <b>SS504699LN</b>
	SHEET 1 OF 1

DASH	FRAME	B	C	2F	BS
1525	404T	14.75	35.62	12.25	6.12
1675	405T	16.25	37.12	13.75	6.88

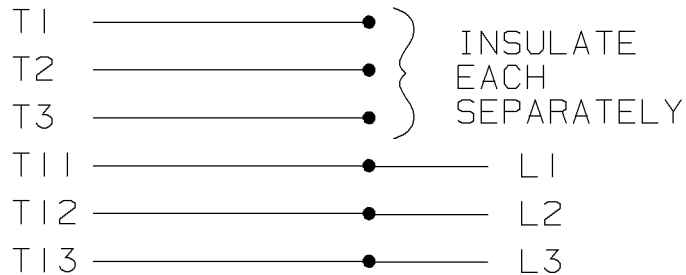
LOW SPEED



THREE PHASE, SINGLE VOLT, 6 LEAD,  
2 SPEED REVERSIBLE MOTOR




HIGH SPEED



VIEW OF TERMINAL END

TO REVERSE ROTATION ON  
EITHER SPEED: INTERCHANGE  
ANY 2 LEADS ON THE  
WINDING IN USE.

					<input checked="" type="checkbox"/> UNLESS OTHERWISE SPECIFIED DIMENSIONS ARE IN INCHES TOL. ON XX±    XXX±.005    XXXX±.0005    ANGLES±		
						MAX. SURFACE ROUGHNESS UNLESS OTHERWISE NOTED FINISH MATERIAL	DRAWN BY DRS CHKD BY ML APPD BY TB
1	12-18-2000	NEW DRAWING	MU34858	DRS	PART NAME CONNECTION DIAGRAM 3Ø, SINGLE - 2 SPEED REVERSIBLE	DRWG NO A-EE7317-LN	
REV	DATE	CHANGE		NAME		PURCHASED	CADD FILE NO. EE7317-LN