

PRODUCT INFORMATION PACKET

Model No: LM26538

Catalog No: LM26538

General Purpose Motor, 30 HP, 3 Ph, 60 Hz, 230/460 V, 1800 RPM, 286T Frame, TEFC

Regal and are trademarks of Regal Rexnord Corporation or one of its affiliated companies.
©2022 Regal Rexnord Corporation, All Rights Reserved. MC017097E



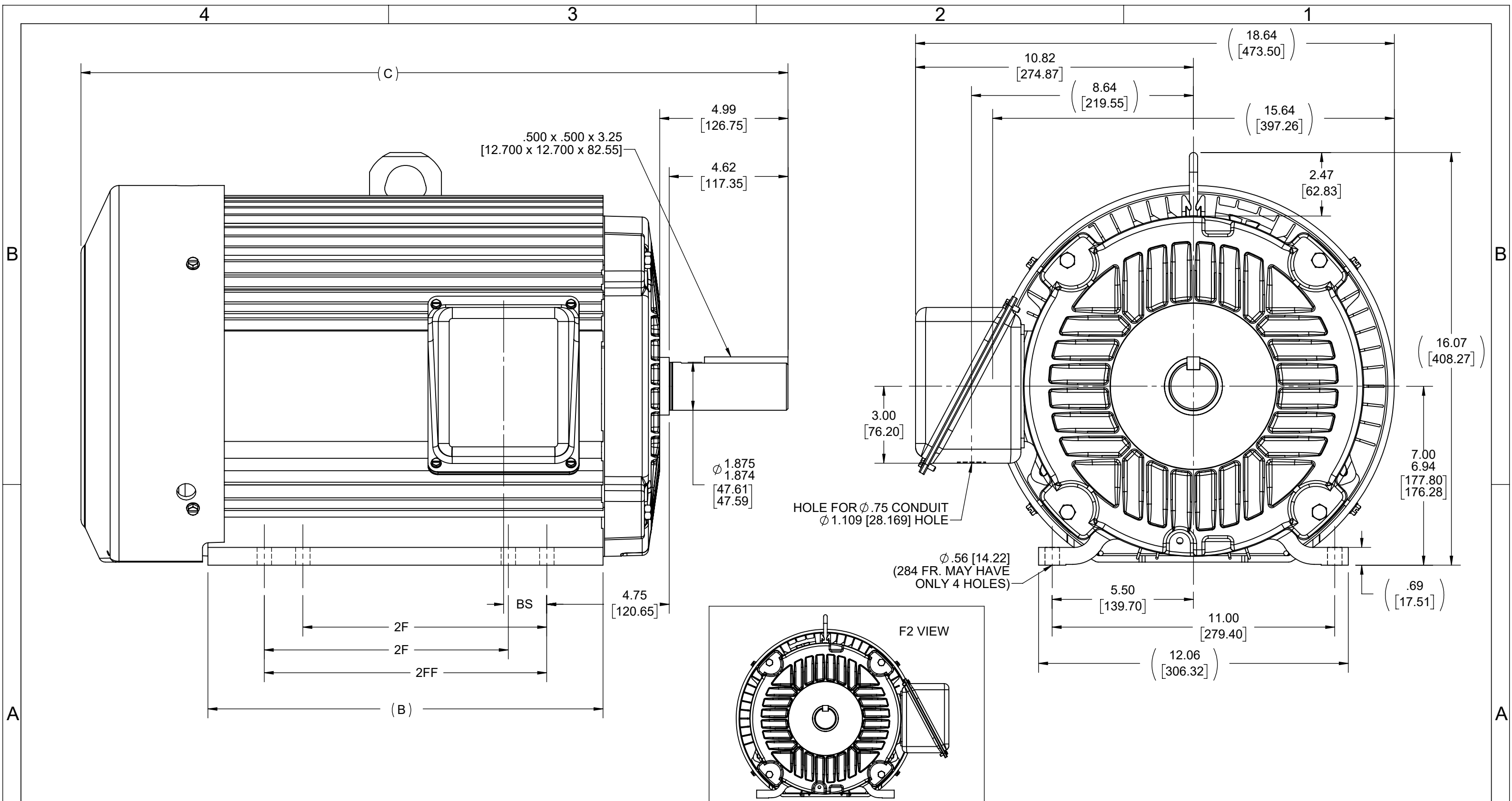
Nameplate Specifications

Output HP	30 Hp	Output KW	22.4 kW
Frequency	60 Hz	Voltage	230/460 V
Current	75.0/37.5 A	Speed	1777 rpm
Service Factor	1.25	Phase	3
Efficiency	93.6 %	Power Factor	80
Duty	Continuous	Insulation Class	F
Design Code	B	KVA Code	G
Frame	286T	Enclosure	Totally Enclosed Fan Cooled
Thermal Protection	Thermostat	Ambient Temperature	40 °C
Drive End Bearing Size	6312	Opp Drive End Bearing Size	6209
UL	Recognized	CSA	Y
CE	Y	IP Code	43
Number of Speeds	1		

Technical Specifications

Electrical Type	Squirrel Cage Induction Run	Starting Method	Wye Start Delta Run
Poles	4	Rotation	Reversible
Resistance Main	.245 Ohms	Mounting	Rigid Base
Motor Orientation	Horizontal	Drive End Bearing	Ball
Opp Drive End Bearing	Ball	Frame Material	Aluminum
Shaft Type	T	Shaft Diameter	1.875 in
Assembly/Box Mounting	F1/F2 CAPABLE		
Outline Drawing	XF5F1SS1-1525	Connection Drawing	A-EE7308BZ-LN

This is an uncontrolled document once printed or downloaded and is subject to change without notice. Date Created:10/26/2022



DASH	FRAME	B	C	2F	2FF	BS
1375	284T	13.87 [352.30]	26.02 [660.91]	---	9.50 [241.30]	1.68 [42.70]
1525	286T	15.38 [390.65]	27.52 [699.11]	9.50 [241.30]	11.00 [279.40]	1.68 [42.70]

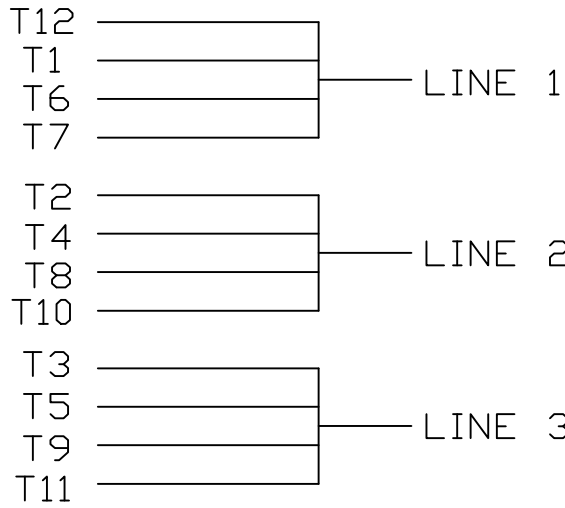
DRAWING REVISION D	REVISION BY SP	DATE 06/28/2021
ECO CR-0001223	APPROVED BY AS	DATE 06/28/2021
ECO DESCRIPTION 3C223-F3 FAN GUARD REPLACED WITH 310031A		
<small>COPYRIGHT REGAL BELOIT AMERICA, INC. ALL RIGHTS RESERVED. PROPRIETARY AND CONFIDENTIAL INFORMATION - THIS DOCUMENT IS THE PROPERTY OF REGAL BELOIT AMERICA, INC. ("OWNER") AND CONTAINS OWNER'S PROPRIETARY INFORMATION. ANY PERSON, CORPORATION OR OTHER FIRM RECEIVING IT IS DEEMED, BY RECEIVING IT, TO AGREE THAT IT, AND/OR ANY PART OF IT, SHALL NOT BE DISCLOSED TO ANY PERSON, CORPORATION OR OTHER ENTITY, DUPLICATED, AND/OR USED, EXCEPT AS EXPRESSLY APPROVED IN WRITING IN ADVANCE BY OWNER. THIS DOCUMENT SHALL BE RETURNED TO OWNER UPON REQUEST. IT MAY BE SUBJECT TO CERTAIN RESTRICTIONS UNDER APPLICABLE EXPORT CONTROL LAWS AND REGULATIONS.</small>		

TOLERANCES UNLESS OTHERWISE SPECIFIED:			
DEC.	INCH	mm	ANGLE
.X	±0.1	[±2.5]	±7' 30"
.XX	±0.03	[±0.76]	
.XXX	±0.005	[±0.127]	
.XXXX	±0.0005	[±0.0127]	
REMOVE BURRS & BREAK SHARP EDGES: .003/.015 [0.076/.381] X 45° CORNER FILLETS: R.02 [.51] MACHINED SURFACES: 200 INCH/mm 5.1 mm SHOWN IN [BRACKETS]			

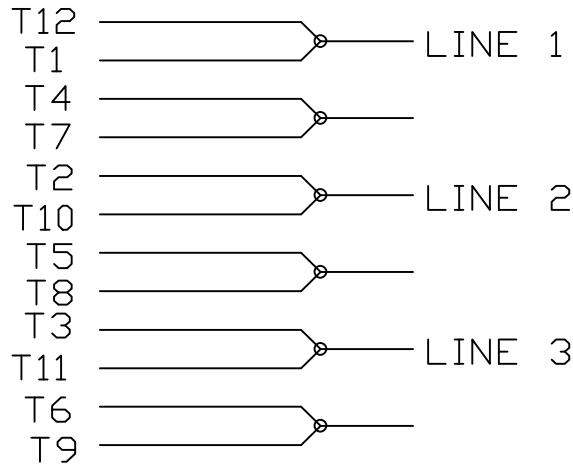
DRAWN BY TJB
DATE 09-05-2001
APPROVED BY JMM
DATE 09-05-2001
REFERENCE
THIRD ANGLE PROJECTION

REGAL ™ Regal Beloit America, Inc.	
DESCRIPTION OUTLINE 280T FR. - TEFC - UE	
MATERIAL	PROCESS/FINISH
SIZE B	DRAWING NUMBER XF5F1SS1
SHEET 1 OF 1	

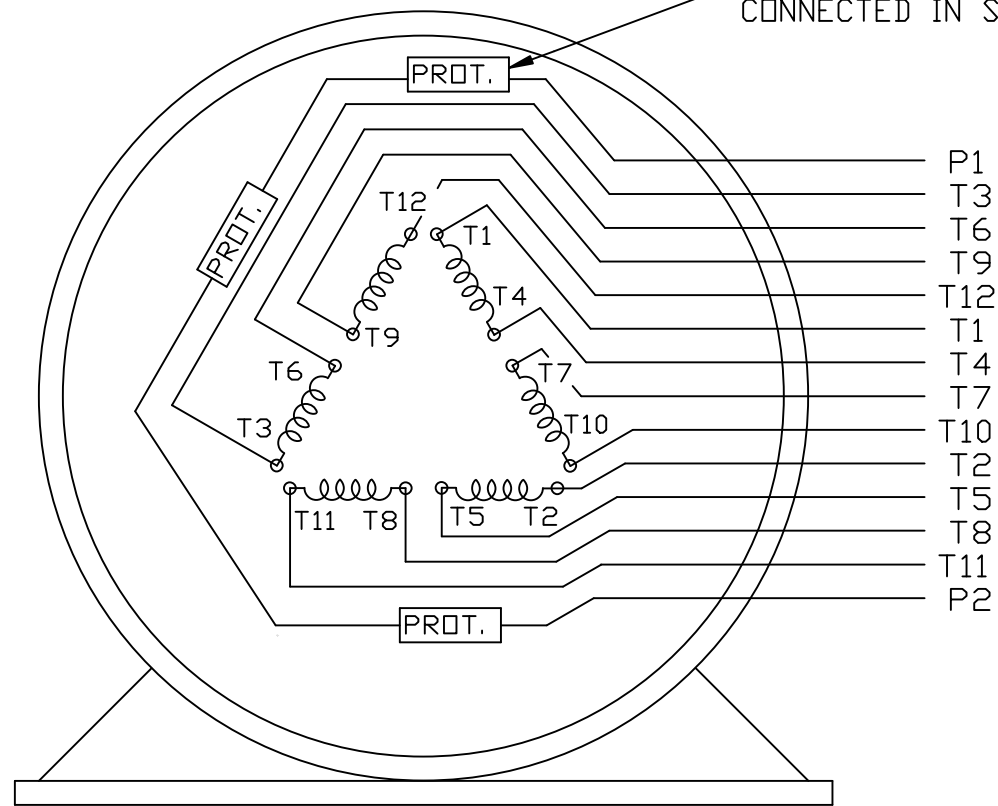
LOW VOLTAGE



HIGH VOLTAGE



THERMO - PROTECTORS
CONNECTED IN SERIES.



VIEW OF TERMINAL END

					✓ UNLESS OTHERWISE SPECIFIED DIMENSIONS ARE IN INCHES TOL. ON XX± XXX± XXXX± ANGLES±				
2	08/17/2011	REMOVED NOTE '12 LEADS SINGLE VOLTAGE'	MU103768		RFH	MAX. SURFACE ROUGHNESS UNLESS OTHERWISE NOTED		DRAWN BY KL	12-11-2000
						FINISH		CHKD BY DJK	12-11-2000
1	12-11-2000	NEW DRAWING	MU34925		KL	MATERIAL		APPD BY DJK	12-11-2000
REV	DATE	CHANGE		NAME	PART NAME EXTERNAL CONNECTION DIAGRAM 3 PHASE - 2/1 DELTA - 12 LEADS			DRWG NO A- EE7308BZ-LN	
					PURCHASED	CADD FILE NO.	EE7308BZ-LN		

EC Declaration of Conformity

The undersigned representing
the manufacturer:

Regal Beloit America
100 East Randolph St.
Wausau, WI 54401

and the authorized representative
established within the Community:

Marathon Electric UK
6F Thistleton Road Ind. Estate
Market Overton
Oakham, Rutland LE15 7PP UK

are committed to providing customers with products that comply with applicable regulations and international protocols to which they are subject, including the requirements of the European Parliament Directive on the Harmonization of the laws relating to electrical equipment designed for use within certain voltage limits (2014/35/EU).

Regal Beloit America declares that the following product(s), to which this declaration relates, are in conformity with the relevant sections of the EC standards listed below.

This statement supersedes any statements previously issued pertaining to the product(s) listed below and is subject to change without notice.

Model No : LM26538

(Model No. may contain prefix and/or suffix characters)

Catalog No : LM26538

Rework No : N/A

Directives :

Low Voltage Directive 2014/35/EU

Harmonized Standards Used :

EN 60034-1: 2010 (IEC 60034-1: 2010)

EN 60034-5: 2001/A1:2007 (IEC 60034-5: 2000/A1:2006)

Authorized Representative:



Michael A. Logsdon
Vice President, Technology

Authorized Representative in the Community:



Julian Clark
Marketing Engineer

Created on 09/01/2022

CE 22