

PRODUCT INFORMATION PACKET



Model No: LM25449
Catalog No: LM25449
20,1800,DP,254TC,3/60/208-230/460YD

Regal and Leeson are trademarks of Regal Rexnord Corporation or one of its affiliated companies.
©2023 Regal Rexnord Corporation, All Rights Reserved. MC017097E





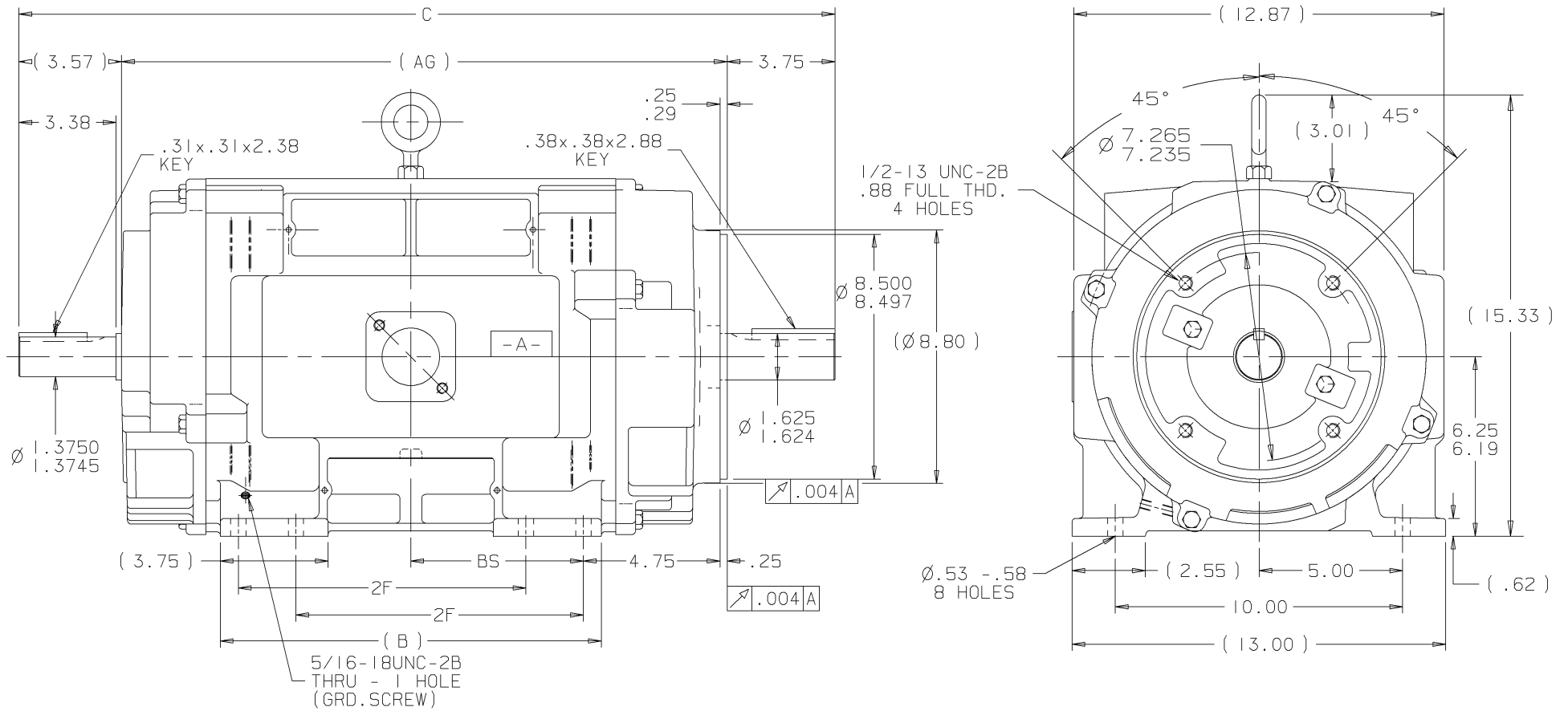
Nameplate Specifications

Phase	3	Output HP	20 & 20 Hp
Output KW	14.9 & 14.9 kW	Voltage	230/460 & 190-208/380-415 V
Speed	1772 & 1465 rpm	Service Factor	1.25 & 1.0
Frame	254TC	Enclosure	Drip Proof
Thermal Protection	No Protection	Efficiency	92.4 & 91 %
Ambient Temperature	40 °C	Frequency	60 & 50 Hz
Current	49/24.5 & 59-55/29.5-27.5 A	Power Factor	82
Duty	Continuous	Insulation Class	F
Design Code	B	KVA Code	F
Drive End Bearing Size	309	Opp Drive End Bearing Size	208
UL	Recognized	CSA	Y
CE	Y	IP Code	22
Number of Speeds	1		

Technical Specifications

Electrical Type	Squirrel Cage Induction Run	Starting Method	Wye Start Delta Run
Poles	4	Rotation	Reversible
Resistance Main	.465 Ohms	Mounting	Rigid Base
Motor Orientation	Horizontal	Drive End Bearing	Ball
Opp Drive End Bearing	Ball	Frame Material	Cast Iron
Shaft Type	NEMA STD DBL	Assembly/Box Mounting	F1/F2 CAPABLE
Outline Drawing	B-SS203497LN-1275	Connection Drawing	A-EE7358-LN

This is an uncontrolled document once printed or downloaded and is subject to change without notice. Date Created:06/23/2023



- NOTES:
1. BOX CAN BE ROTATED IN 90° STEPS.
 2. BOX CAN BE MOUNTED ON OPPOSITE SIDE BY REMOVING BRACKETS AND TURNING FRAME 180°.
 3. NAMEPLATE TO BE READ FROM CONDUIT BOX SIDE OF MOTOR.

DASH	FRAME	C	AG	BS	B	2F	REV	DATE	CHANGE	NAME	PART NAME	MATERIAL	DRWG NO
1275	254T	26.88	19.57	5.25	11.75	8.25	1	12-13-1999	NEW DRAWING	BLR	250T FR. - DR.PR. - NEMA. DBL. EXT.	CAST IRON	B-SS203497LN
1425	256T	28.38	21.07	6.00	13.25	10.00	2	03-29-2001	CORRECTED 2F AND BS DIMENSION CN 30749	TJB	OUTLINE - CAST IRON	CAST IRON	B-SS203497LN



UNLESS OTHERWISE SPECIFIED DIMENSIONS ARE IN INCHES
TOL. ON XX±.03 XXX±.005 XXXX±.0005 ANGLES± 7'30"

MAX. SURFACE ROUGHNESS
UNLESS OTHERWISE NOTED

FINISH

MATERIAL

DRWN BY BLR 12-09-1999

CHKD BY DRS 12-10-1999

APPD BY TB 12-10-1999

PURCHASED

CADD FILE NO. SS203497LN

```
ERROR: syntaxerror  
OFFENDING COMMAND: --nostringval--
```

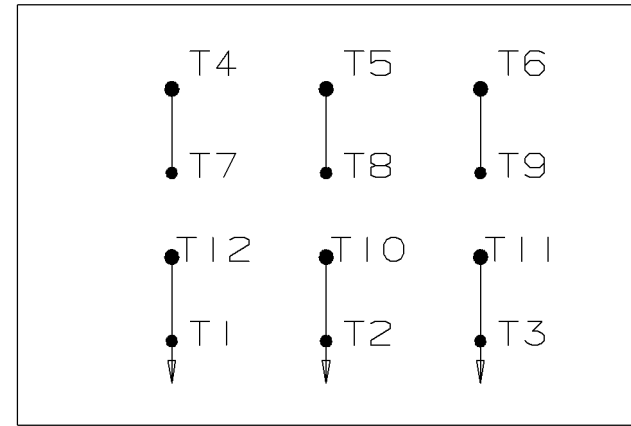
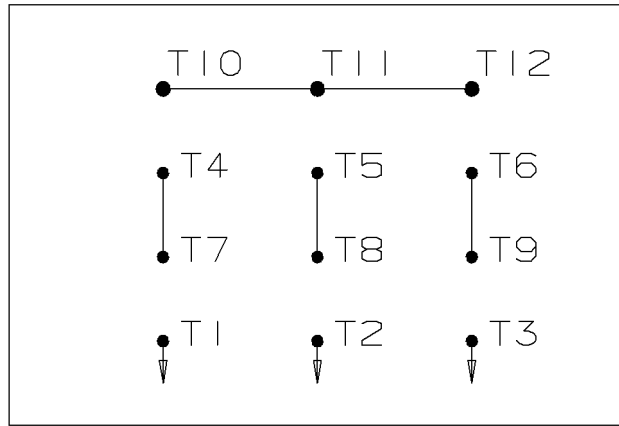
```
STACK:
```

```
/B  
-dictionary-  
/Pscript_WinNT_Compat  
-dictionary-
```

WYE START

HIGH VOLTAGE

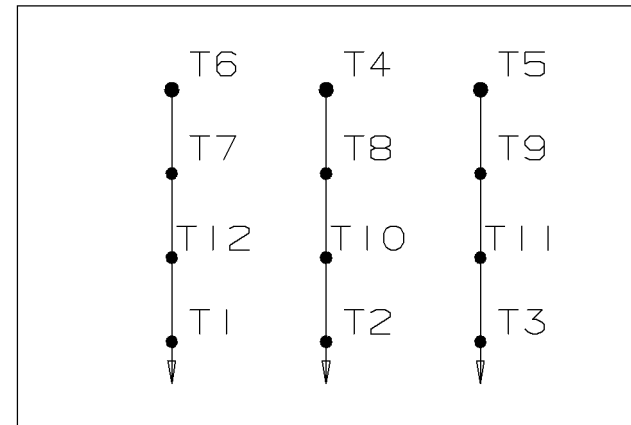
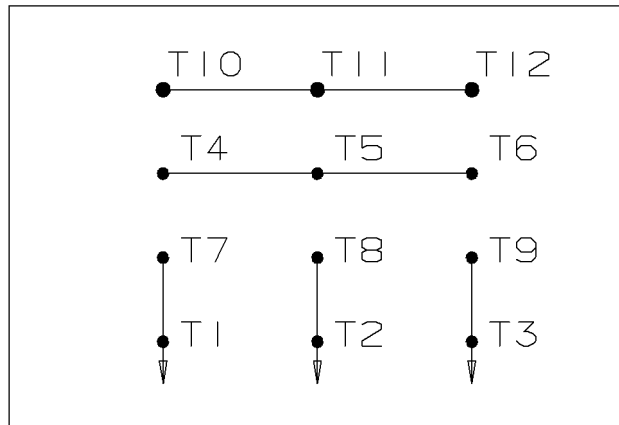
DELTA RUN



WYE START

LOW VOLTAGE

DELTA RUN



4/2 CKTY Δ

					<input checked="" type="checkbox"/> UNLESS OTHERWISE SPECIFIED DIMENSIONS ARE IN INCHES TOL. ON XX± .02 XXX± .005 XXXX± .0005 ANGLES± 7'30"			
						MAX. SURFACE ROUGHNESS UNLESS OTHERWISE NOTED	DRAWN BY DRS	12-07-1999
				FINISH		CHKD BY ML	12-07-1999	
				MATERIAL		APPD BY TB	12-07-1999	
REV	DATE	CHANGE	NAME	PART NAME CONNECTION DIAGRAM			DRWG NO A- EE7358-LN	

	PURCHASED	CADD FILE NO.	EE7358-LN
--	-----------	---------------	-----------