

# PRODUCT INFORMATION PACKET



Model No: LM25422

Catalog No: LM25422

General Purpose Motor, 2 HP, 3 Ph, 60 Hz, 230/460 V, 1200 RPM, 184T Frame, DP

Regal and Leeson are trademarks of Regal Rexnord Corporation or one of its affiliated companies.  
©2023 Regal Rexnord Corporation, All Rights Reserved. MC017097E





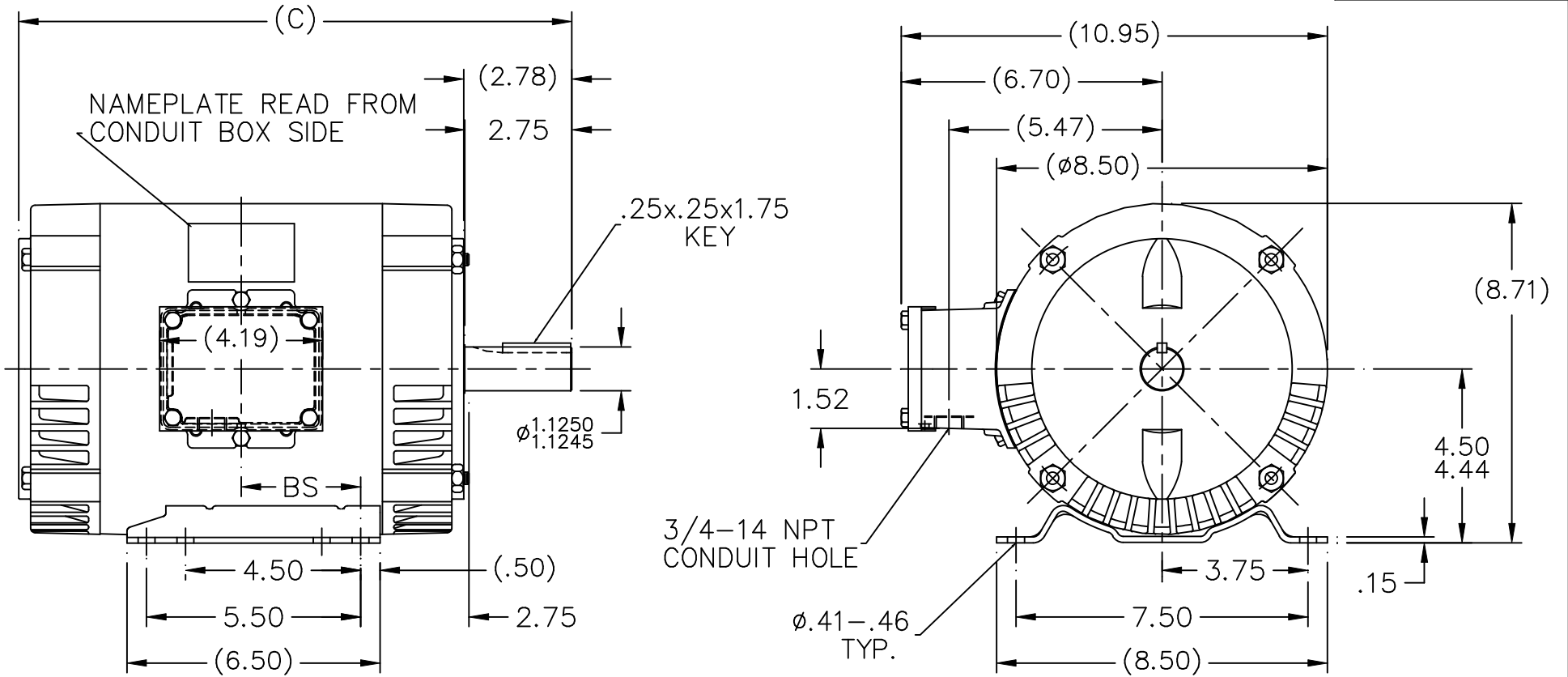
**Nameplate Specifications**

Phase	<b>3</b>	Output HP	<b>2 Hp</b>
Output KW	<b>1.5 kW</b>	Voltage	<b>230/460 V</b>
Speed	<b>1165 rpm</b>	Service Factor	<b>1.0</b>
Frame	<b>184T</b>	Enclosure	<b>Drip Proof</b>
Thermal Protection	<b>No Protection</b>	Efficiency	<b>85.5 %</b>
Ambient Temperature	<b>40 °C</b>	Frequency	<b>60 Hz</b>
Current	<b>6.2/3.1 A</b>	Power Factor	<b>70</b>
Duty	<b>Continuous</b>	Insulation Class	<b>F</b>
Design Code	<b>B</b>	KVA Code	<b>K</b>
Drive End Bearing Size	<b>206</b>	Opp Drive End Bearing Size	<b>203</b>
UL	<b>No</b>	CSA	<b>Y</b>
IP Code	<b>12</b>	Number of Speeds	<b>1</b>

**Technical Specifications**


Electrical Type	<b>Squirrel Cage Induction Run</b>	Starting Method	<b>Across The Line</b>
Poles	<b>6</b>	Rotation	<b>Reversible</b>
Resistance Main	<b>5.85 Ohms</b>	Mounting	<b>Rigid Base</b>
Motor Orientation	<b>Horizontal</b>	Drive End Bearing	<b>Ball</b>
Opp Drive End Bearing	<b>Ball</b>	Frame Material	<b>Rolled Steel</b>
Shaft Type	<b>T</b>	Shaft Diameter	<b>1.125 in</b>
Assembly/Box Mounting	<b>F1/F2 CAPABLE</b>		
Outline Drawing	<b>A-SS69222LN-925</b>	Connection Drawing	<b>A-EE7308-LN</b>

This is an uncontrolled document once printed or downloaded and is subject to change without notice. Date Created:10/11/2023



DASH	FR.	C	BS	MOUNTING
725	182/4T	14.22	3.07	F1 ONLY
775	182/4T	14.72	3.32	F1 ONLY
925	182/4T	16.22	4.07	F1 ONLY

NOTE:  
1.BOX CAN BE ROTATED IN 180° STEPS.

				TOLERANCES UNLESS SPECIFIED				DRAWN BLR 01-23-2002		
				DEC.	INCHES			CHK	ML 01-23-2002	
				.X	±.1			APPD	TB 01-23-2002	
3	UPDATED C'BOX GEOMETRY CN 36692		DRS 05-16-2003	ML	.XX	±.03	TITLE OUTLINE		SCALE 1=4	
2	REMOVED LIFT LUG MU39704		MSG 01-28-2002	TB	.XXX	±.005	180T FR. - DR.PR. - WASHTHRU		REF	
1	NEW DRAWING DES. DEV.		BLR 01-23-2002		.XXXX	±.0005	MAT'L.		FMF	
NO.	REVISION		BY & DATE	CHK	ANG	±7'30"	FINISH		PREV	
THIS DRAWING IN DESIGN AND DETAIL IS OUR PROPERTY AND MUST NOT BE USED EXCEPT IN CONNECTION WITH OUR WORK ALL RIGHTS OF DESIGN AND INVENTION ARE RESERVED THIS IS AN ELECTRONICALLY GENERATED DOCUMENT - DO NOT SCALE THIS PRINT				RFP	CAD FILE SS69222LN			SIZE	DRAWING NO. PAGE OF	REV.
				DIST	LB			A	SS69222LN	3

THREE PHASE  
DUAL VOLTAGE MOTOR

HIGH VOLTAGE



LOW VOLTAGE



VIEW OF TERMINAL END

REF.  
WINDING DIAGRAM

T8Y, T2Y, T2BL, T4BX, T2EC, T2G  
T6BZ, T2B, T6BL, T4AV, T6B, T4B

OPTIONAL CORD  
CONNECTION

L1 WHITE  
L2 RED  
L3 BLACK

NO.	REVISION	BY & DATE	CHK	TOLERANCES UNLESS SPECIFIED		FINISH	DRAWN	DATE			
				DEC.	INCHES						
				.X	±.1		BLR	06/11/1999			
							ML	06/18/1999			
							GK	06/18/1999			
3	ADDED THE OPTIONAL CORD CONNECTION MU46318	RDH 04/24/2003	DRS	.XX	±.02	TITLE CONNECTION DIAGRAM		SCALE 1=1			
2	RE-ISSUE, ADDED '-' TO PART NUMBER	BLR 08/09/1999	GK	.XXX	±.005	3∅ - DUAL VOLTAGE MOTOR		REF			
1	NEW DRAWING	BLR 06/18/1999	GK	.XXXX	±.0005	MAT'L.		FMF			
				ANG	±7'30"			PREV			
THIS DRAWING IN DESIGN AND DETAIL IS OUR PROPERTY AND MUST NOT BE USED EXCEPT IN CONNECTION WITH OUR WORK ALL RIGHTS OF DESIGN AND INVENTION ARE RESERVED THIS IS AN ELECTRONICALLY GENERATED DOCUMENT - DO NOT SCALE THIS PRINT				RFP	CAD FILE EE7308LN			SIZE A	DRAWING NO. EE7308-LN	PAGE OF 3	REV. 3
				DIST WP							

