

PRODUCT INFORMATION PACKET

Model No: LM24805

Catalog No: LM24805

Agricultural Motor, 10 HP, 1 Ph, 60 Hz, 230 V, 1800 RPM, 215T Frame, TEFC



Regal and are trademarks of Regal Rexnord Corporation or one of its affiliated companies.
©2022 Regal Rexnord Corporation, All Rights Reserved. MC017097E

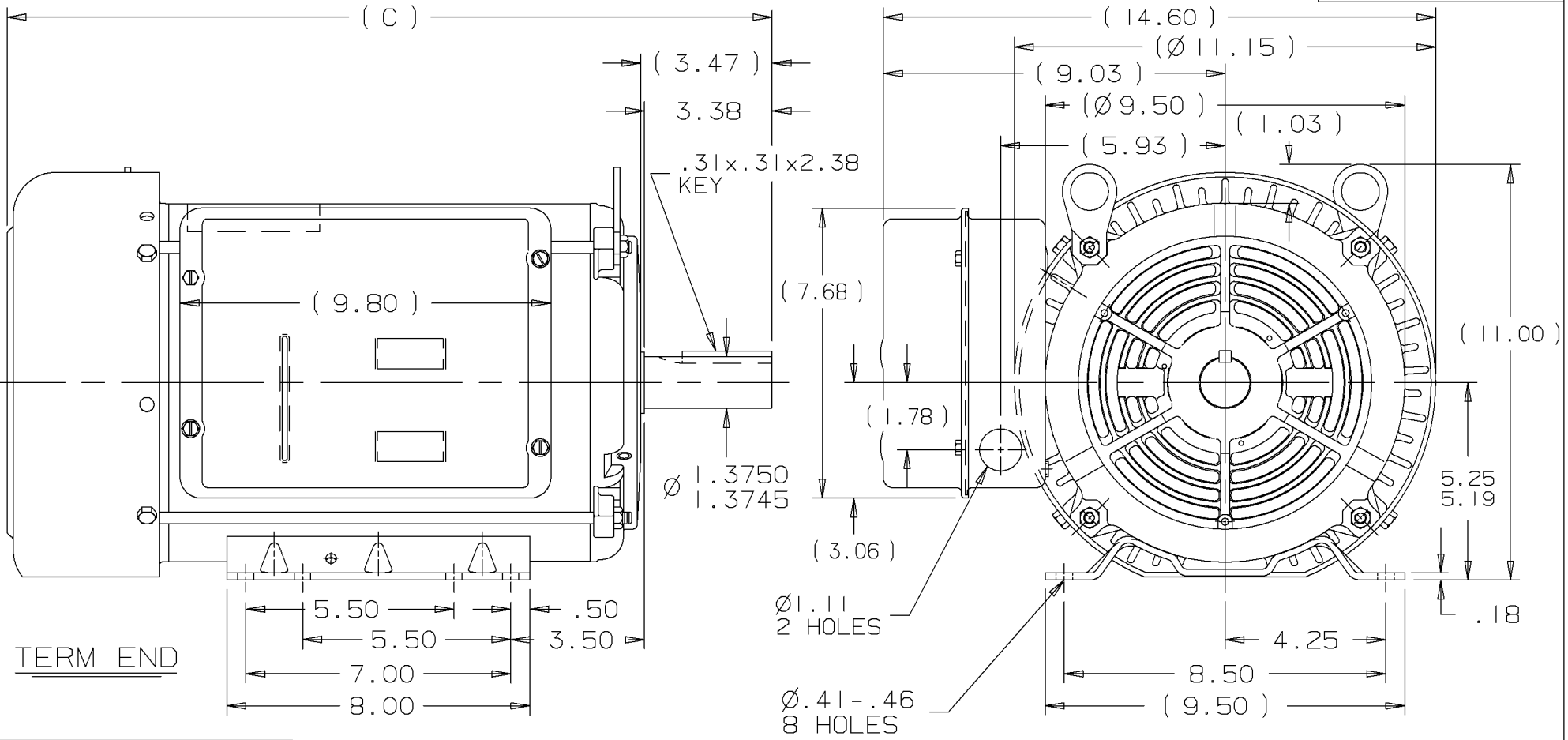
Nameplate Specifications

Output HP	10 Hp	Output KW	7.5 kW
Frequency	60 Hz	Voltage	230 V
Current	40.0 A	Speed	1735 rpm
Service Factor	1	Phase	1
Efficiency	84 %	Power Factor	95
Duty	Continuous	Insulation Class	F
Design Code	L	KVA Code	H
Frame	215T	Enclosure	Totally Enclosed Fan Cooled
Thermal Protection	Manual	Ambient Temperature	40 °C
Drive End Bearing Size	307	Opp Drive End Bearing Size	206
UL	Recognized (Not Protector)	CSA	Y
CE	N	IP Code	43
Number of Speeds	1		

Technical Specifications

Electrical Type	Capacitor Start Capacitor Run	Starting Method	Across The Line
Poles	4	Rotation	Selective Counterclockwise
Resistance Main	0 Ohms	Mounting	Rigid Base
Motor Orientation	Horizontal	Drive End Bearing	Ball
Opp Drive End Bearing	Ball	Frame Material	Rolled Steel
Shaft Type	T	Overall Length	21.48 in
Frame Length	12.40 in	Shaft Diameter	1.375 in
Shaft Extension	3.38 in	Assembly/Box Mounting	F1 Only
Connection Drawing	A-EE9048PB-LN	Outline Drawing	A-SS86562LN-1240

This is an uncontrolled document once printed or downloaded and is subject to change without notice. Date Created:09/08/2022



TERM END

DASH	FR.	C
965	213T	18.73
1115	213/215T	20.23
1240	215T	21.48

NOTES:
1. NAMEPLATE TO BE READ FROM C*BOX SIDE OF MOTOR.

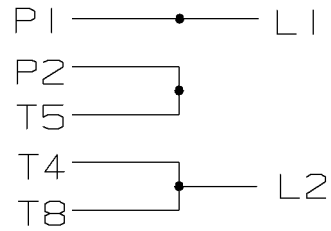
					UNLESS OTHERWISE SPECIFIED DIMENSIONS ARE IN INCHES TOL. ON XX±.02 XXX±.005 XXXX±.0005 ANGLES± 7'30"					
					MAX. SURFACE ROUGHNESS UNLESS OTHERWISE NOTED	DRAWN BY DRS 09-29-1999		CHKD BY BLR 09-29-1999		
10-06-1999		NEW DRAWING		DRS	MATERIAL		APPD BY GK 10-06-1999			
REV	DATE	CHANGE		NAME	PART NAME OUTLINE 210T FR. - BB - TS - TEFC - 1Ø				DRWG NO A-SS86562LN	
				L PURCHASED		CADD FILE NO.		SS86562LN		

ERROR: syntaxerror
OFFENDING COMMAND: --nostringval--

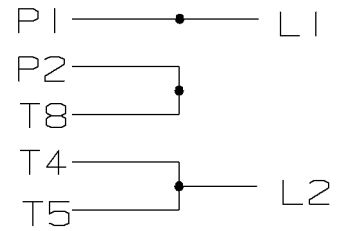
STACK:

/im
-savelevel-

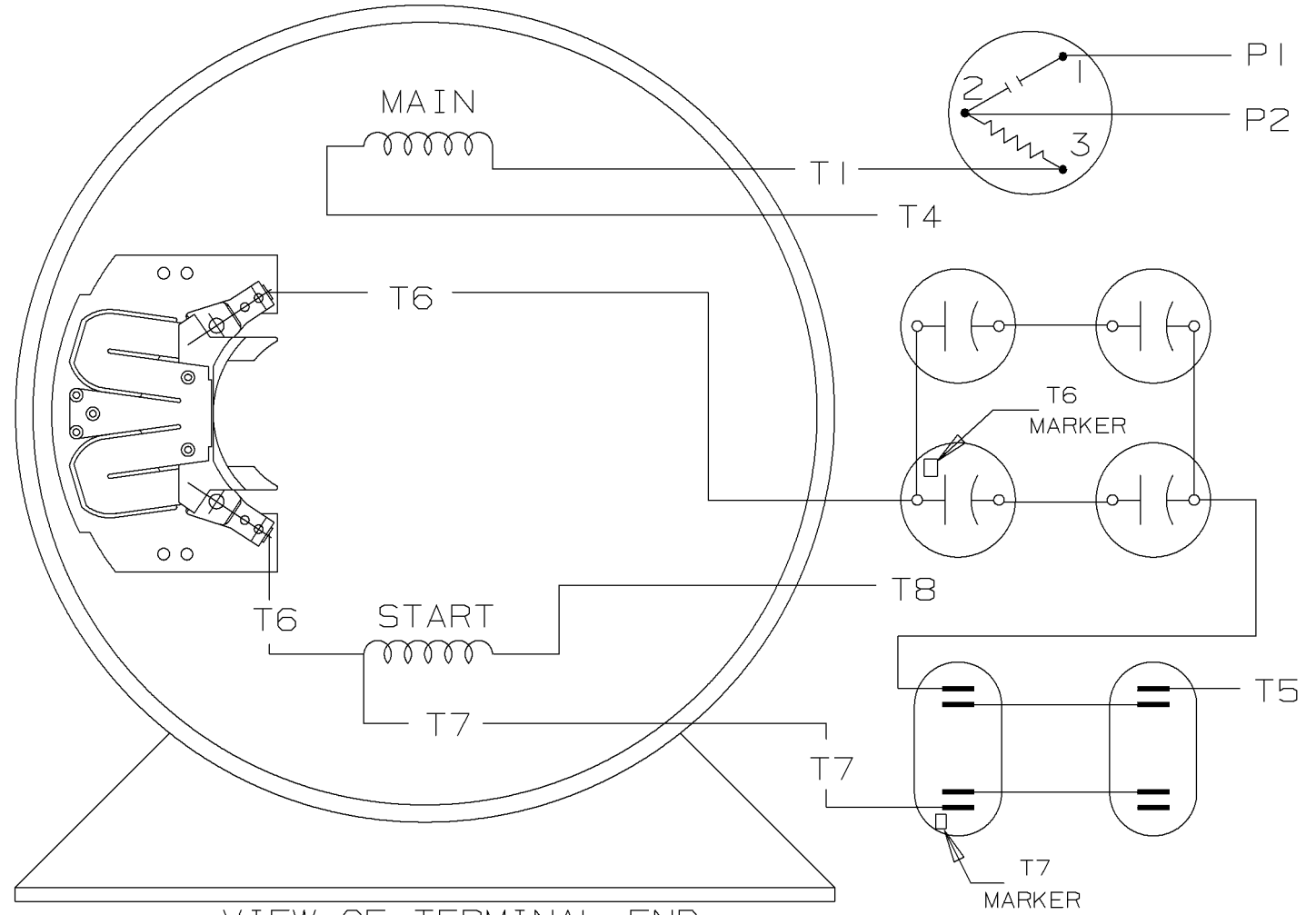
C.W. ROTATION



C.C.W. ROTATION



CONNECT:
 START CAPACITORS IN SERIES-PARALLEL.
 RUN CAPACITORS IN PARALLEL



SINGLE VOLTAGE
 CAPACITOR START
 CAPACITOR RUN
 REVERSIBLE

VIEW OF TERMINAL END

					✓ UNLESS OTHERWISE SPECIFIED DIMENSIONS ARE IN INCHES TOL. ON XX± XXX±.005 XXXX±.0005 ANGLES±			
					MAX. SURFACE ROUGHNESS UNLESS OTHERWISE NOTED	DRAWN BY B JW 11-02-1999		
					FINISH	CHKD BY ML 11-03-1999		
I	11-04-1999	NEW DRAWING	BJW		MATERIAL	APPD BY TB 11-04-1999		
REV	DATE	CHANGE	NAME	PART NAME CONNECTION DIAGRAM 180-210 SWITCH			DRWG NO A- EE9048PB-LN	
					PURCHASED	CADD FILE NO.	EE9048PB-LN	



2100 WASHINGTON ST.
GRAFTON, WI
PH. 262-277-8810

CERTIFICATION DATA SHEET

CONN. DIAGRAM: A-EE9048PB-LN

CATALOG # : LM24805

OUTLINE: A-SS86562LN-1240

WINDING #: BK104127 2

MOUNTING: F1 ONLY

TYPICAL MOTOR PERFORMANCE DATA

HP	kW	SYNC. RPM	F.L. RPM	FRAME	ENCLOSURE	KVA CODE	DESIGN
10	7.50	1800	1735	215T	TEFC	H	L

PH	Hz	VOLTS	AMPS	START TYPE	DUTY	INSL	S.F.	AMB°C
1	60	230	40	ACROSS THE LINE	CONTINUOUS	F4	1.0	40

FULL LOAD EFF:	84	3/4 LOAD EFF:	86	1/2 LOAD EFF:	83	GTD. EFF		ELEC. TYPE	
FULL LOAD PF:	95	3/4 LOAD PF:	94.5	1/2 LOAD PF:	91.5	81.5	CAP START CAP RUN		

F.L. TORQUE	LOCKED ROTOR AMPS	L.R. TORQUE	B.D. TORQUE	F.L. RISE°C
30 LB-FT	275	90 LB-FT 300 %	77 LB-FT 257 %	95

SOUND PRESSURE @ 3 FT.	SOUND POWER	ROTOR WK^2	MAX. WK^2	SAFE STALL TIME	STARTS / HOUR	APPROX. MOTOR WGT
72 dBA	82 dBA	0 LB-FT^2	0 LB-FT^2	0 SEC.	0	152 LBS.

*** SUPPLEMENTAL INFORMATION ***

DE BRACKET TYPE	ODE BRACKET TYPE	MOUNT TYPE	ORIENTATION	SEVERE DUTY	HAZARDOUS LOCATION	DRIP COVER	SCREENS	PAINT
STANDARD	STANDARD	RIGID	HORIZONTAL	FALSE	NONE	FALSE	NONE	GRAY - LINCOLN

BEARINGS		GREASE	SHAFT TYPE	SPECIAL DE	SPECIAL ODE	SHAFT MATERIAL	FRAME MATERIAL
DE	ODE						
BALL	BALL	POLYREX EM	T	NONE	NONE	AISI 1045 (C-240)	ROLLED STEEL
307	206						

THERMO-PROTECTORS				THERMISTORS	CONTROL	SPACE HEATERS
THERMOSTATS	PROTECTORS	WDG RTDs	BRG RTDs			
NONE	MANUAL	NONE	NONE	NONE	FALSE	NONE VOLTS

*
N
O
T
E
S
*

INVERTER TORQUE: NONE
INV. HP SPEED RANGE: NONE
ENCODER: NONE NONE NONE NONE NONE PPR
BRAKE: NONE NONE NONE P/N NONE NONE NONE NONE FT-LB NONE V NONE Hz



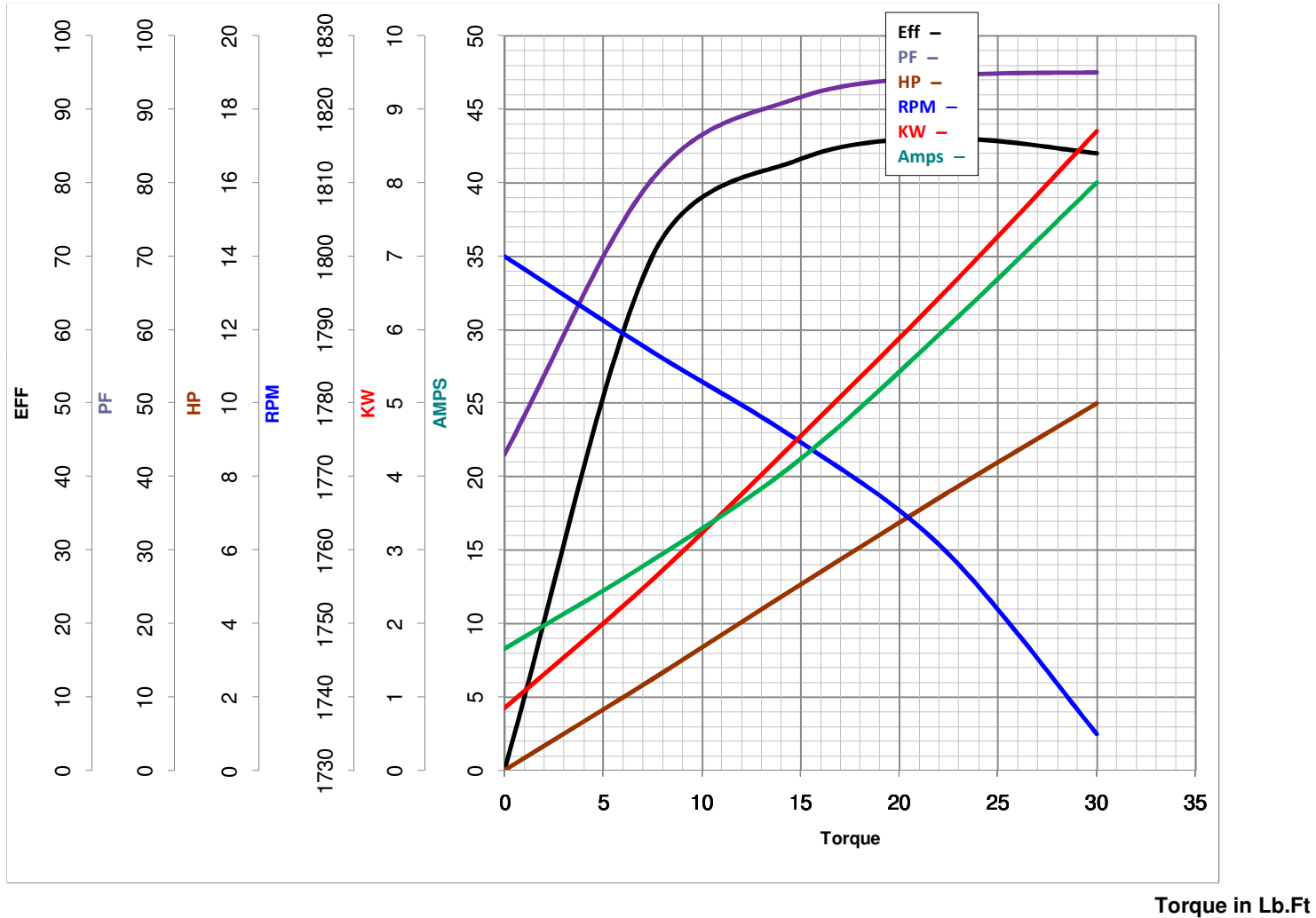
LEESON ELECTRIC CORPORATION
 TYPICAL PERFORMANCE CURVE for AC MOTOR

Model No LM24805

Curve at 230 Volts HP 10.00 PHASE 1
60 HZ
10 HP VOLTS 230

Catalog No LM24805BB

HZ 60 RPM 1735



FL TORQUE 30 Lb.Ft
 BD TORQUE 77.0 Lb.Ft
 LR TORQUE 90 Lb.Ft

FL AMPS 40
 PU TORQUE 53.0 Lb.Ft
 LR AMPS 275

WINDING BK104127-2

Date 4/23/2018