

# PRODUCT INFORMATION PACKET



Model No: LM24802  
Catalog No: LM24802  
Agricultural Motor, 5 HP, 1 Ph, 60 Hz, 208-230 V, 1800 RPM, 184T Frame, TEFC



Regal and Leeson are trademarks of Regal Rexnord Corporation or one of its affiliated companies.  
©2022 Regal Rexnord Corporation, All Rights Reserved. MC017097E





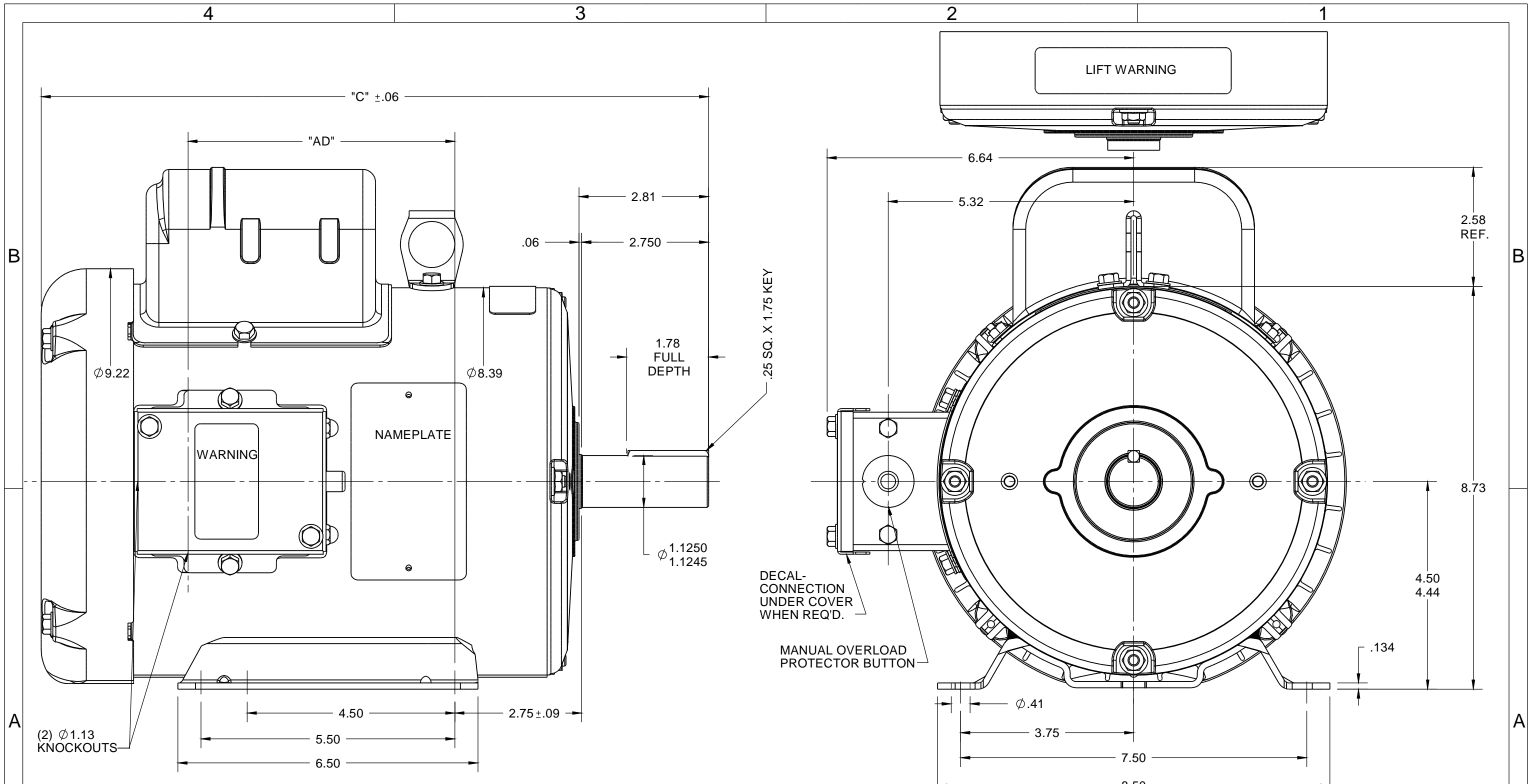
### Nameplate Specifications

Output HP	5 Hp	Output KW	3.7 kW
Frequency	60 Hz	Voltage	208-230 V
Current	23.8-21.8-21.8 A	Speed	1755 rpm
Service Factor	1.15	Phase	1
Efficiency	84 %	Power Factor	89
Duty	Continuous	Insulation Class	F
Design Code	NO DESIGN CODE	KVA Code	K
Frame	184T	Enclosure	Totally Enclosed Fan Cooled
Thermal Protection	Manual	Ambient Temperature	40 °C
Drive End Bearing Size	6206	Opp Drive End Bearing Size	6205
UL	Recognized ( Not Protector)	CSA	Y
CE	Y	IP Code	43
Number of Speeds	1		

### Technical Specifications

Electrical Type	Capacitor Start Capacitor Run	Starting Method	Across The Line
Poles	4	Rotation	Selective Counterclockwise
Resistance Main	.397 Ohms	Mounting	Rigid Base
Motor Orientation	Horizontal	Drive End Bearing	Ball
Opp Drive End Bearing	Ball	Frame Material	Rolled Steel
Shaft Type	T	Overall Length	17.46 in
Frame Length	12.00 in	Shaft Diameter	1.125 in
Shaft Extension	2.75 in	Assembly/Box Mounting	F1 ONLY
Connection Drawing	005056.03LN	Outline Drawing	035482LN-1200

This is an uncontrolled document once printed or downloaded and is subject to change without notice. Date Created:11/28/2022

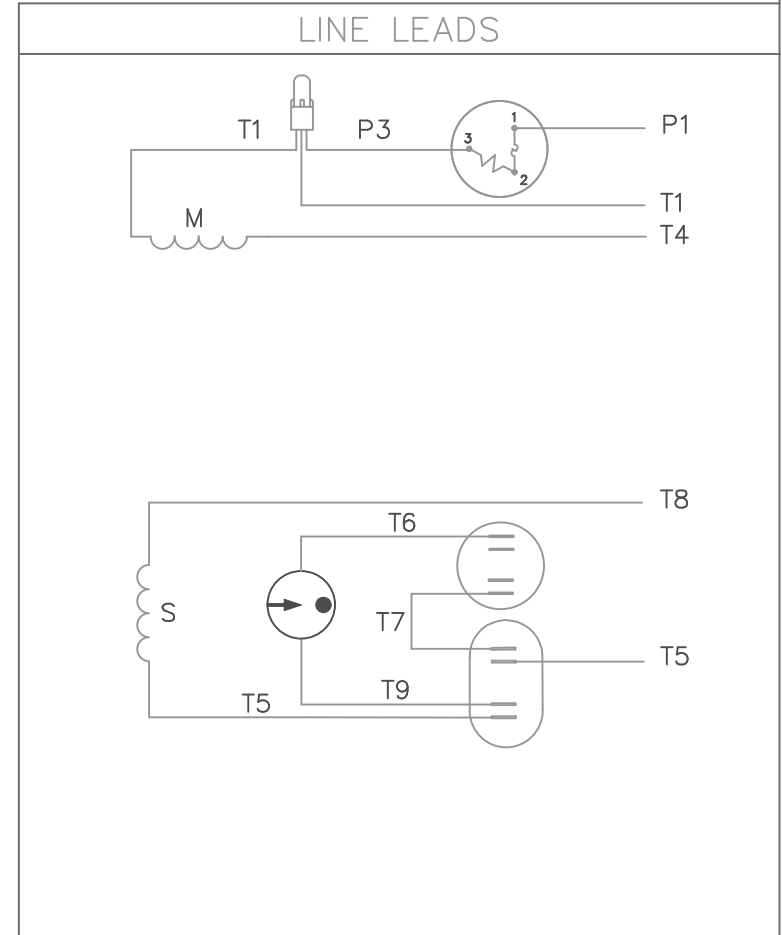
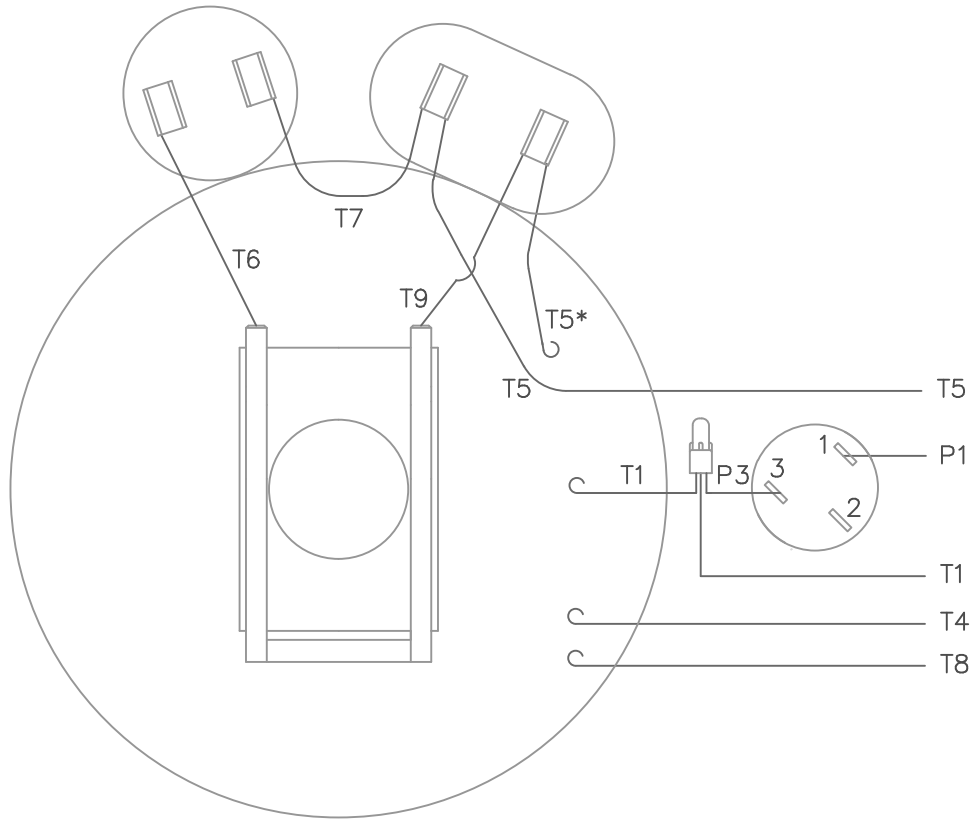


DASH NO.	"C"	"AD"
850	13.96	5.25
900	14.46	5.75
950	14.96	6.25
1000	15.46	6.75
1050	15.96	7.25
1100	16.46	7.75
1150	16.96	8.25
1200	17.46	8.75

GASKETS THROUGHOUT


DRAWING REVISION C	REVISION BY PST	DATE 1/20/15	TOLERANCES UNLESS OTHERWISE SPECIFIED: DEC. INCH mm ANGLE .X ±0.1 [±2.5] ±0.5° .XX ±0.03 [±0.76] .XXX ±0.005 [±0.127] .XXXX ±0.0005 [±0.0127] REMOVE BURRS & BREAK SHARP EDGES: .003/.015 [.076/.381] CORNER FILLETS: .02 [.51] MACHINED SURFACES: 125 INCH mm 3.2 mm SHOWN IN [BRACKETS]	DRAWN BY JD	Regal Beloit America, Inc.	
ECO ECO-0069862	APPROVED BY ST	DATE 1/20/15	DATE 05/08/2012	DESCRIPTION <b>OUTLINE</b> TEFC - RIGID MOUNT		
ECO DESCRIPTION ADDED DASH# 1200 COPYRIGHT REGAL BELOIT AMERICA, INC. ALL RIGHTS RESERVED. PROPRIETARY AND CONFIDENTIAL INFORMATION - THIS DOCUMENT IS THE PROPERTY OF REGAL BELOIT AMERICA, INC. ("OWNER") AND CONTAINS OWNER'S PROPRIETARY INFORMATION. ANY PERSON, CORPORATION OR OTHER FIRM RECEIVING IT IS DEEMED, BY RECEIVING IT, TO AGREE THAT IT, AND/OR ANY PART OF IT, SHALL NOT BE DISCLOSED TO ANY PERSON, CORPORATION OR OTHER ENTITY, DUPLICATED, AND/OR USED, EXCEPT AS EXPRESSLY APPROVED IN WRITING IN ADVANCE BY OWNER. THIS DOCUMENT SHALL BE RETURNED TO OWNER UPON REQUEST. IT MAY BE SUBJECT TO CERTAIN RESTRICTIONS UNDER APPLICABLE EXPORT CONTROL LAWS AND REGULATIONS.			APPROVED BY	MATERIAL GENERAL PURPOSE	PROCESS/FINISH	
			REFERENCE 035482	SIZE B	DRAWING NUMBER <b>035482LN</b>	SHEET 1 OF 1

VIEW FROM OUTSIDE OF MOTOR AT SWITCH END.



ROTATION FACING LEAD END	L1	L2	JOIN
C.C.W.	P1	T4, T5	T1, T8
C.W.	P1	T4, T8	T1, T5

\* THIS LEAD MAY BE WHITE

				TOLERANCES UNLESS SPECIFIED				DRAWN WLW 08/30/76	
				DEC.	INCHES			CHK WRK 09/24/76	
				.X	±.1			APPD	
				.XX	±.01			SCALE 1=1	
				.XXX	±.005			REF	
				.XXXX	±.0005	MAT'L. DECAL - 004015		FMF 6K17FB4	
NO.	REVISION	BY & DATE	CHK	ANG	±1/2'	FINISH		PREV	
THIS DRAWING IN DESIGN AND DETAIL IS OUR PROPERTY AND MUST NOT BE USED EXCEPT IN CONNECTION WITH OUR WORK ALL RIGHTS OF DESIGN AND INVENTION ARE RESERVED THIS IS AN ELECTRONICALLY GENERATED DOCUMENT - DO NOT SCALE THIS PRINT				RFP	CAD FILE 00505603LN		SIZE	DRAWING NO.	
				DIST	BRF-NLV		A	005056-03LN	
								REV.	



**CERTIFICATION DATA SHEET**

**2100 WASHINGTON ST.  
GRAFTON, WI  
PH. 262-277-8810**

**CONN. DIAGRAM:** 005056.03LN

CATALOG : LM24802

**OUTLINE:** 035482LN-1200

**WINDING #:** K8484 FR 2

**MOUNTING:** F1 ONLY

**TYPICAL MOTOR PERFORMANCE DATA**

HP	kW	SYNC. RPM	F.L. RPM	FRAME	ENCLOSURE	KVA CODE	DESIGN
5	3.70	1800	1755	184T	TEFC	K	NO DESIGN CODE

PH	Hz	VOLTS	AMPS	START TYPE	DUTY	INSL	S.F.	AMB°C
1	60	208-230	23.8-21.8-21.8	ACROSS THE LINE	CONTINUOUS	F4	1.15	40

FULL LOAD EFF:	84	3/4 LOAD EFF:	83.5	1/2 LOAD EFF:	80.4	GTD. EFF		ELEC. TYPE	
FULL LOAD PF:	89	3/4 LOAD PF:	86.1	1/2 LOAD PF:	78.7	81.5		CAP START CAP RUN	

F.L. TORQUE	LOCKED ROTOR AMPS	L.R. TORQUE	B.D. TORQUE	F.L. RISE°C
14.88 LB-FT	178	49.8 LB-FT 332 %	44.7 LB-FT 298 %	75

SOUND PRESSURE @ 3 FT.	SOUND POWER	ROTOR WK^2	MAX. WK^2	SAFE STALL TIME	STARTS / HOUR	APPROX. MOTOR WGT
0 dBA	10 dBA	0.612 LB-FT^2	0.6 LB-FT^2	10 SEC.	0	139 LBS.

**\*\*\* SUPPLEMENTAL INFORMATION \*\*\***

DE BRACKET TYPE	ODE BRACKET TYPE	MOUNT TYPE	ORIENTATION	SEVERE DUTY	HAZARDOUS LOCATION	DRIP COVER	SCREENS	PAINT
STANDARD	STANDARD	RIGID	HORIZONTAL	FALSE	NONE	FALSE	NONE	GRAY - GE

BEARINGS		GREASE	SHAFT TYPE	SPECIAL DE	SPECIAL ODE	SHAFT MATERIAL	FRAME MATERIAL
DE	ODE						
BALL	BALL	POLYREX EM	T	NONE	NONE	AISI 1045 (C-240)	ROLLED STEEL
6206	6205						

THERMO-PROTECTORS				THERMISTORS	CONTROL	SPACE HEATERS
THERMOSTATS	PROTECTORS	WDG RTDs	BRG RTDs			
NONE	MANUAL	NONE	NONE	NONE	FALSE	NONE VOLTS

\*  
N  
O  
T  
E  
S  
\*

<b>INVERTER TORQUE:</b> NONE
<b>INV. HP SPEED RANGE:</b> NONE
<b>ENCODER:</b> NONE NONE NONE NONE NONE PPR
<b>BRAKE:</b> NONE NONE NONE P/N NONE NONE NONE FT-LB NONE V NONE Hz



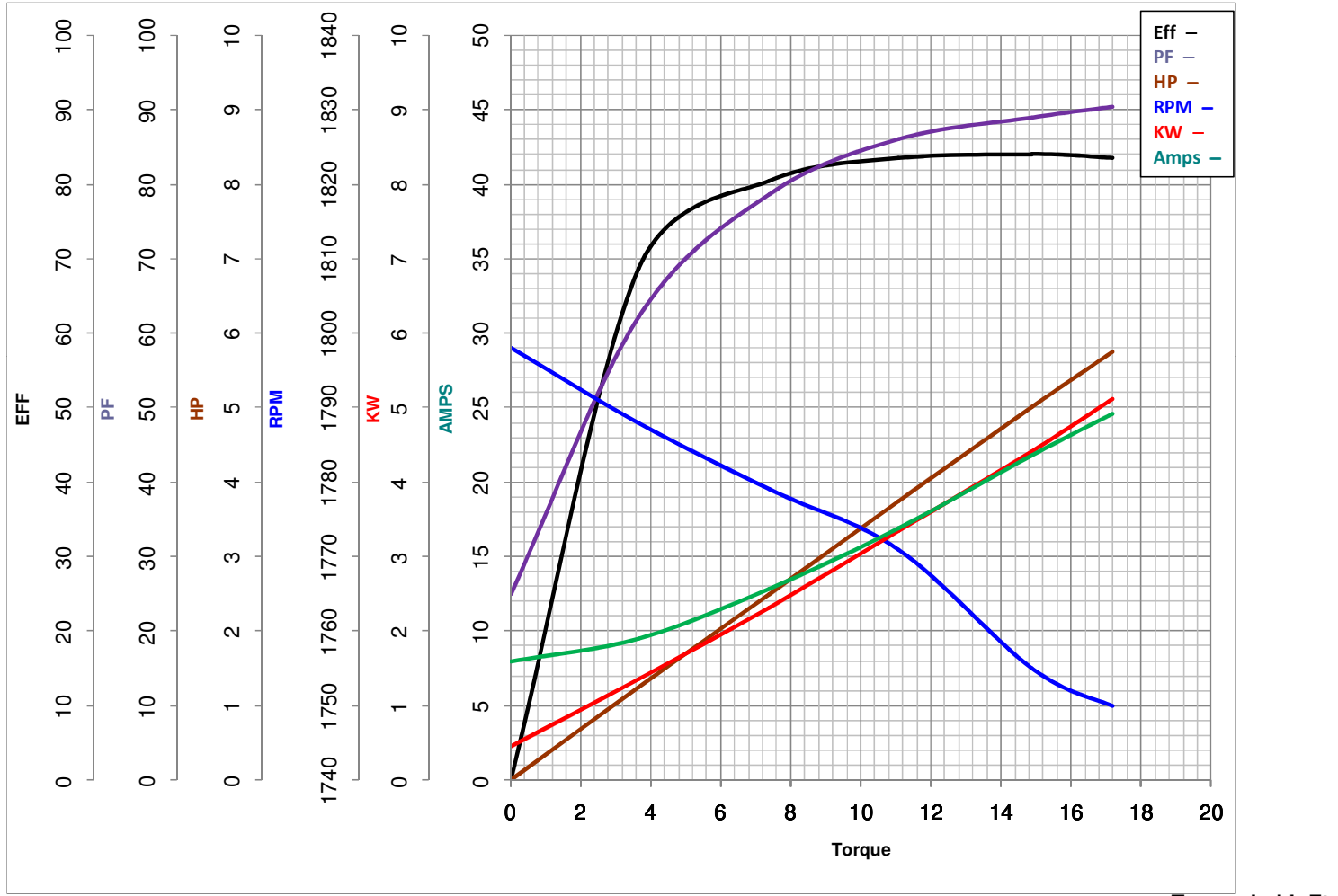
**LEESON ELECTRIC CORPORATION**  
 TYPICAL PERFORMANCE CURVE for AC MOTOR

Model No LM24802

Curve at 230 Volts HP 5.00 PHASE 1  
60 HZ  
5 HP VOLTS 208-230

Catalog No LM24802DD

HZ 60 RPM 1755



<b>FL TORQUE</b>	<u>14.88</u> Lb.Ft	<b>FL AMPS</b>	<u>23.8-21.8-21.8</u>
<b>BD TORQUE</b>	<u>44.7</u> Lb.Ft	<b>PU TORQUE</b>	<u>44.0</u> Lb.Ft
<b>LR TORQUE</b>	<u>49.8</u> Lb.Ft	<b>LR AMPS</b>	<u>178</u>
<b>WINDING</b>	K8484-2	<b>Date</b>	3/28/2018

## EC Declaration of Conformity

The undersigned representing  
the manufacturer:

Regal Beloit America  
100 East Randolph St.  
Wausau, WI 54401

and the authorized representative  
established within the Community:

Marathon Electric UK  
6F Thistleton Road Ind. Estate  
Market Overton  
Oakham, Rutland LE15 7PP UK

are committed to providing customers with products that comply with applicable regulations and international protocols to which they are subject, including the requirements of the European Parliament Directive on the Harmonization of the laws relating to electrical equipment designed for use within certain voltage limits (2014/35/EU).

Regal Beloit America declares that the following product(s), to which this declaration relates, are in conformity with the relevant sections of the EC standards listed below.

This statement supersedes any statements previously issued pertaining to the product(s) listed below and is subject to change without notice.

Model No : LM24802

(Model No. may contain prefix and/or suffix characters)

Catalog No : LM24802

Rework No : N/A

Directives :

Low Voltage Directive 2014/35/EU

Harmonized Standards Used :

EN 60034-1: 2010 (IEC 60034-1: 2010)

EN 60034-5: 2001/A1:2007 (IEC 60034-5: 2000/A1:2006)

Authorized Representative:



Michael A. Logsdon  
Vice President, Technology

Authorized Representative in the Community:



Julian Clark  
Marketing Engineer

Created on 09/01/2022

**CE 22**