

PRODUCT INFORMATION PACKET



Model No: LM24798
Catalog No: LM24798
Agricultural Motor, 5 HP, 1 Ph, 60 Hz, 230 V, 1800 RPM, 184T Frame, TEFC



Regal and Leeson are trademarks of Regal Rexnord Corporation or one of its affiliated companies.
©2023 Regal Rexnord Corporation, All Rights Reserved. MC017097E





Nameplate Specifications

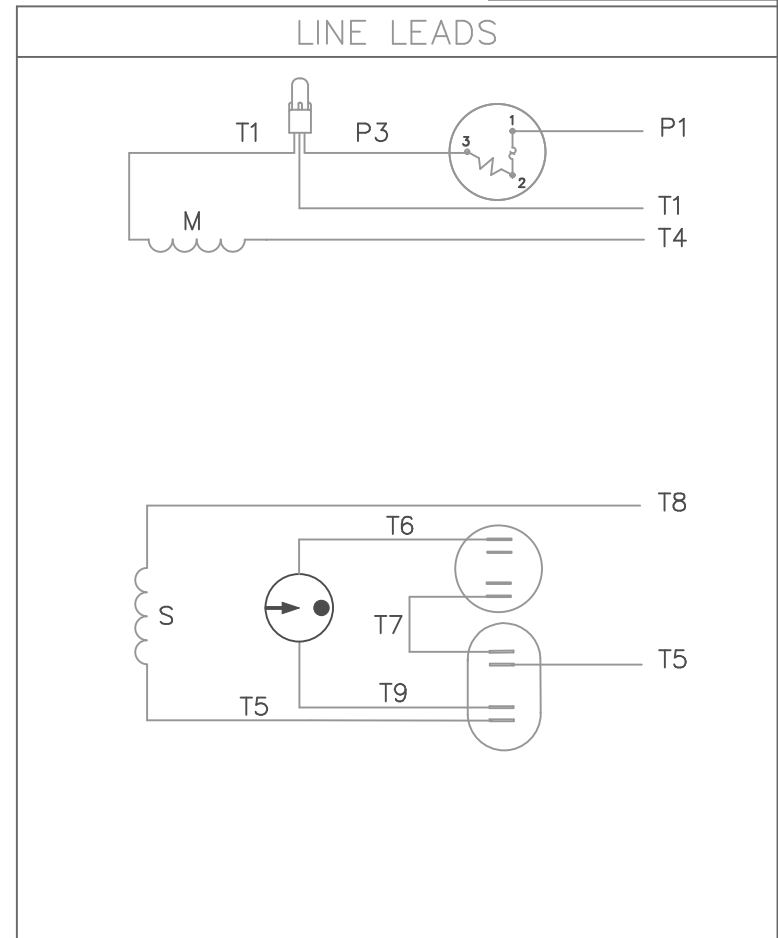
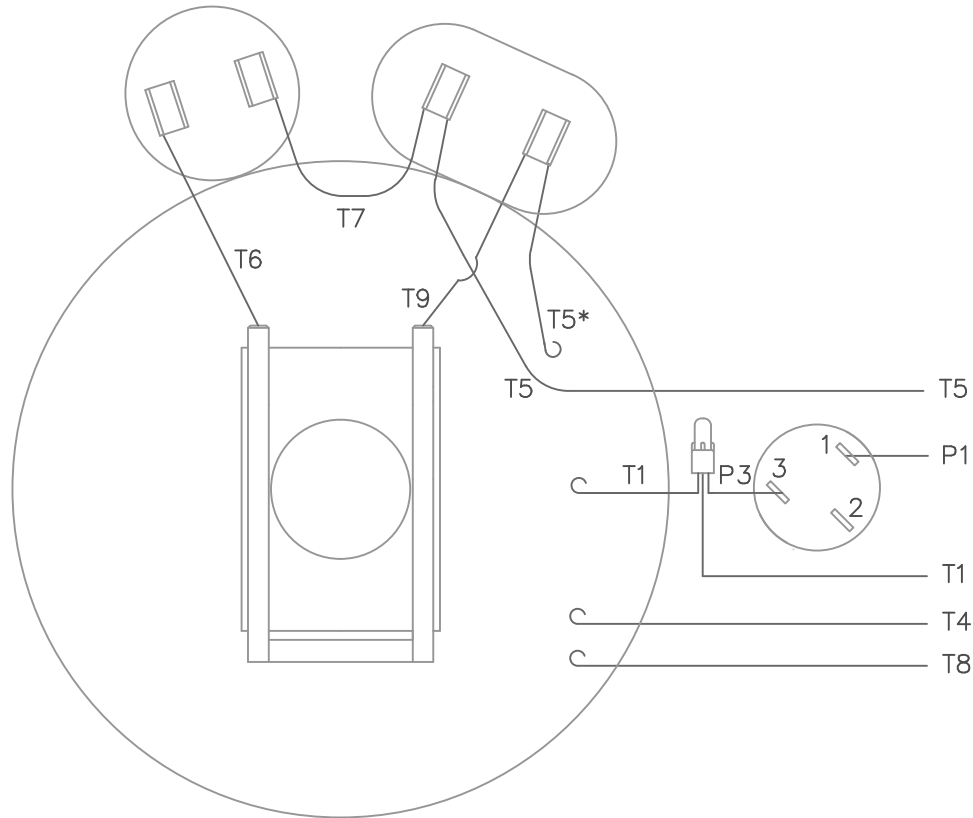
Phase	1	Output HP	5 Hp
Output KW	3.7 kW	Voltage	230 V
Speed	1740 rpm	Service Factor	1.15
Frame	184T	Enclosure	Totally Enclosed Fan Cooled
Thermal Protection	Manual	Efficiency	82.5 %
Ambient Temperature	40 °C	Frequency	60 Hz
Current	20.5 A	Power Factor	93
Duty	Continuous	Insulation Class	F
Design Code	L	KVA Code	H
Drive End Bearing Size	206	Opp Drive End Bearing Size	205
UL	Recognized (Not Protector)	CSA	Y
CE	N	IP Code	43
Number of Speeds	1		

Technical Specifications

Electrical Type	Capacitor Start Capacitor Run	Starting Method	Across The Line
Poles	4	Rotation	Selective Counterclockwise
Resistance Main	.47 Ohms	Mounting	Rigid Base
Motor Orientation	Horizontal	Drive End Bearing	Ball
Opp Drive End Bearing	Ball	Frame Material	Rolled Steel
Shaft Type	T	Overall Length	17.46 in
Frame Length	12.00 in	Shaft Diameter	1.125 in
Shaft Extension	2.75 in	Assembly/Box Mounting	F1 ONLY
Outline Drawing	OLLM24798	Connection Drawing	00505603LN


This is an uncontrolled document once printed or downloaded and is subject to change without notice. Date Created:12/16/2023

VIEW FROM OUTSIDE OF MOTOR AT SWITCH END.



ROTATION FACING LEAD END	L1	L2	JOIN
C.C.W.	P1	T4,T5	T1,T8
C.W.	P1	T4,T8	T1,T5

* THIS LEAD MAY BE WHITE

		TOLERANCES UNLESS SPECIFIED				DRAWN WLW 08/30/76	
		DEC.	INCHES			CHK WRK 09/24/76	
		.X	±.1			APPD	
		.XX	±.01			SCALE 1=1	
		.XXX	±.005			REF	
		.XXXX	±.0005	MAT'L. DECAL - 004015		FMF 6K17FB4	
NO.	REVISION	BY & DATE	CHK	ANG	FINISH	PREV	
THIS DRAWING IN DESIGN AND DETAIL IS OUR PROPERTY AND MUST NOT BE USED EXCEPT IN CONNECTION WITH OUR WORK ALL RIGHTS OF DESIGN AND INVENTION ARE RESERVED THIS IS AN ELECTRONICALLY GENERATED DOCUMENT - DO NOT SCALE THIS PRINT			RFP	CAD FILE	00505603LN	SIZE	DRAWING NO.
			DIST	BRF-NLV		A	005056-03LN
							REV.



CERTIFICATION DATA SHEET

**2100 WASHINGTON ST.
GRAFTON, WI
PH. 262-277-8810**

CONN. DIAGRAM: 00505603LN

OUTLINE: OLLM24798

CATALOG : LM24798

WINDING #: K8483 FR 2 B

MOUNTING: F1 ONLY

TYPICAL MOTOR PERFORMANCE DATA

HP	kW	SYNC. RPM	F.L. RPM	FRAME	ENCLOSURE	KVA CODE	DESIGN
5	3.70	1800	1740	184T	TEFC	H	L

PH	Hz	VOLTS	AMPS	START TYPE	DUTY	INSL	S.F.	AMB°C
1	60	230	20.5	ACROSS THE LINE	CONTINUOUS	F4	1.15	40

FULL LOAD EFF:	82.5	3/4 LOAD EFF:	82.4	1/2 LOAD EFF:	77.9	GTD. EFF		ELEC. TYPE	
FULL LOAD PF:	93	3/4 LOAD PF:	94.4	1/2 LOAD PF:	92.1	80		CAP START CAP RUN	

F.L. TORQUE	LOCKED ROTOR AMPS	L.R. TORQUE	B.D. TORQUE	F.L. RISE°C
15 LB-FT	150	43.5 LB-FT 290 %	35.5 LB-FT 237 %	85

SOUND PRESSURE @ 3 FT.	SOUND POWER	ROTOR WK^2	MAX. WK^2	SAFE STALL TIME	STARTS / HOUR	APPROX. MOTOR WGT
0 dBA	10 dBA	0.61 LB-FT^2	0 LB-FT^2	0 SEC.	0	75 LBS.

***** SUPPLEMENTAL INFORMATION *****

DE BRACKET TYPE	ODE BRACKET TYPE	MOUNT TYPE	ORIENTATION	SEVERE DUTY	HAZARDOUS LOCATION	DRIP COVER	SCREENS	PAINT
STANDARD	STANDARD	RIGID	HORIZONTAL	FALSE	NONE	FALSE	NONE	GRAY - GE

BEARINGS		GREASE	SHAFT TYPE	SPECIAL DE	SPECIAL ODE	SHAFT MATERIAL	FRAME MATERIAL
DE	ODE						
BALL	BALL	POLYREX EM	T	NONE	NONE	AISI 1045 (C-240)	ROLLED STEEL
206	205						

THERMO-PROTECTORS				THERMISTORS	CONTROL	SPACE HEATERS
THERMOSTATS	PROTECTORS	WDG RTDs	BRG RTDs			
NONE	MANUAL	NONE	NONE	NONE	FALSE	NONE VOLTS

*
N
O
T
E
S
*

INVERTER TORQUE: NONE
INV. HP SPEED RANGE: NONE
ENCODER: NONE NONE NONE NONE NONE PPR
BRAKE: NONE NONE NONE P/N NONE NONE NONE NONE FT-LB NONE V NONE Hz



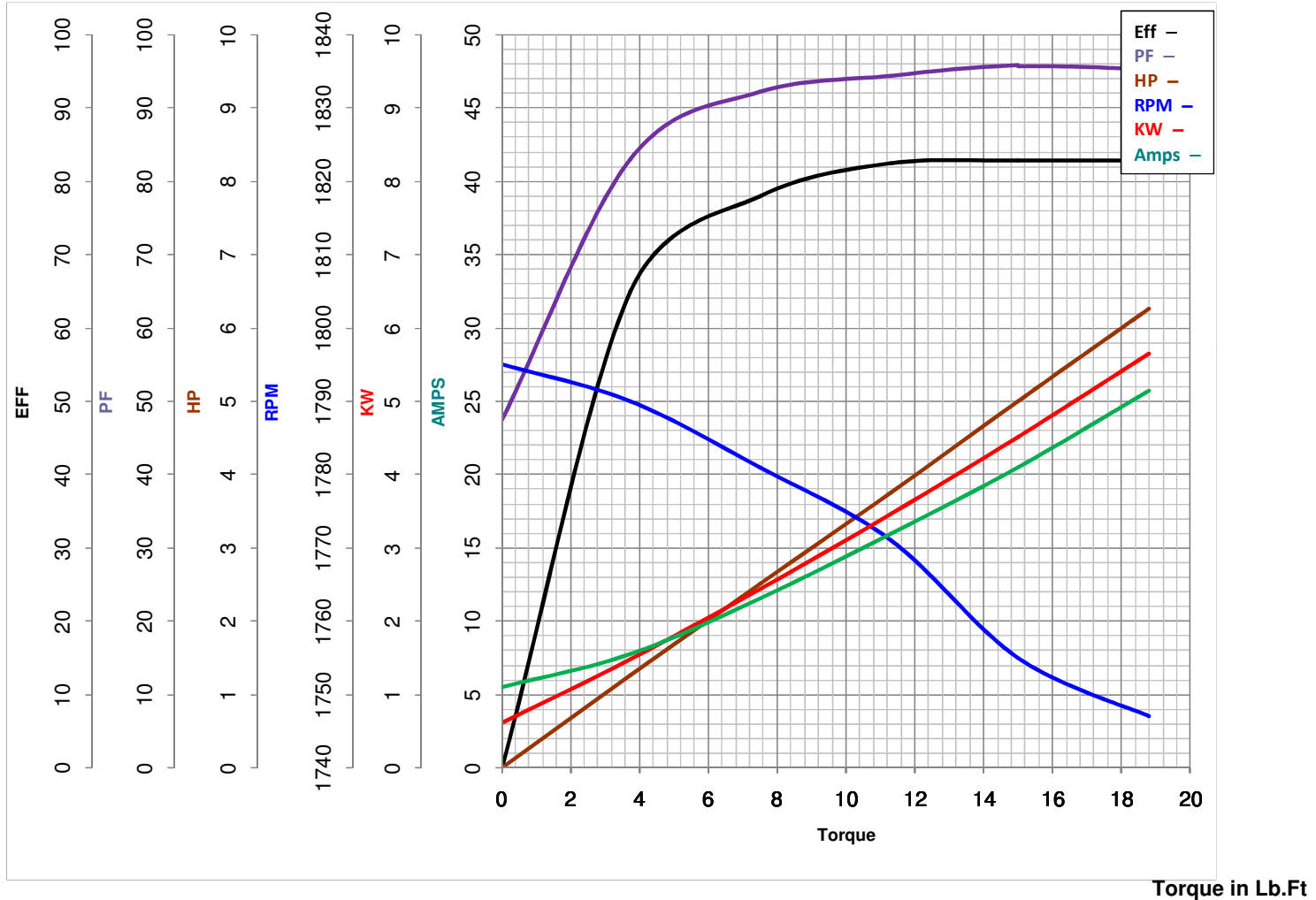
LEESON ELECTRIC CORPORATION
 TYPICAL PERFORMANCE CURVE for AC MOTOR

Model No LM24798

Curve at 230 Volts HP 5.00 PHASE 1
60 HZ
5 HP VOLTS 230

Catalog No LM24798AB

HZ 60 RPM 1740



FL TORQUE 15 Lb.Ft
 BD TORQUE 35.5 Lb.Ft
 LR TORQUE 43.5 Lb.Ft

FL AMPS 20.5
 PU TORQUE 26.5 Lb.Ft
 LR AMPS 150

WINDING K8483-2 Date 7/17/2018