

PRODUCT INFORMATION PACKET



Model No: LM24683

Catalog No: LM24683

Air Compressor Motor, 7.50 HP, 1 Ph, 60 Hz, 208-230 V, 1800 RPM, 215T Frame, DP



Regal and Leeson are trademarks of Regal Rexnord Corporation or one of its affiliated companies.

©2023 Regal Rexnord Corporation, All Rights Reserved. MC017097E



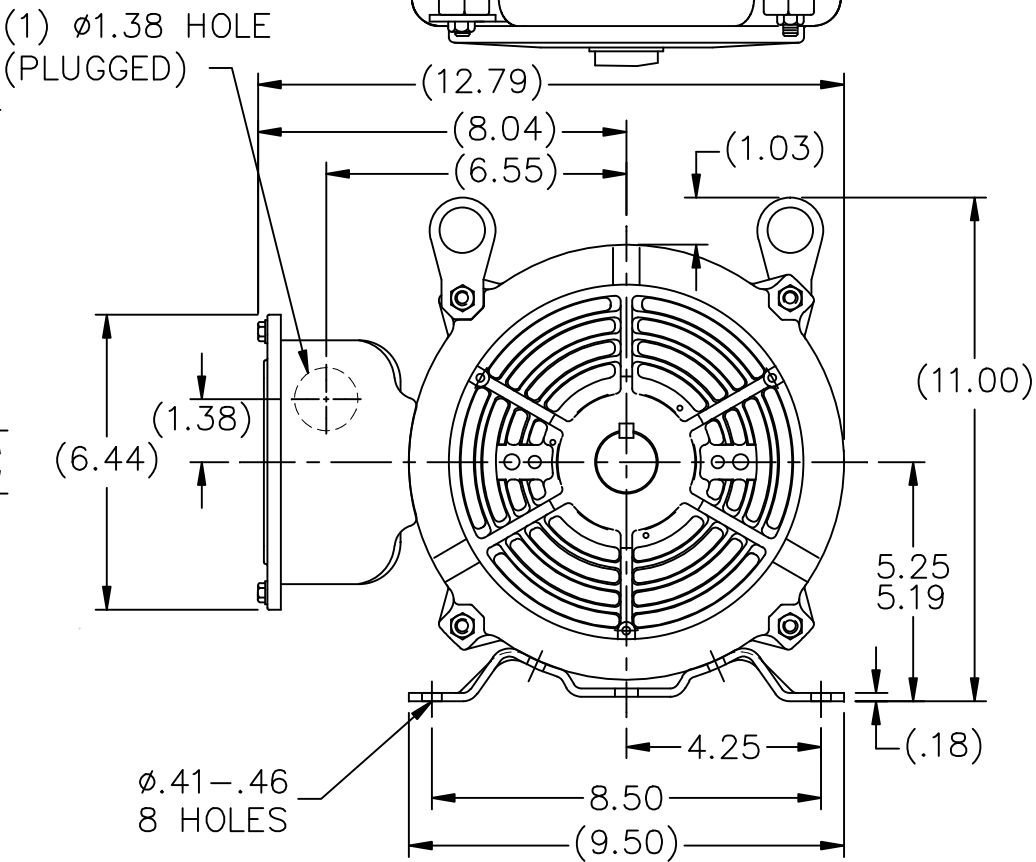
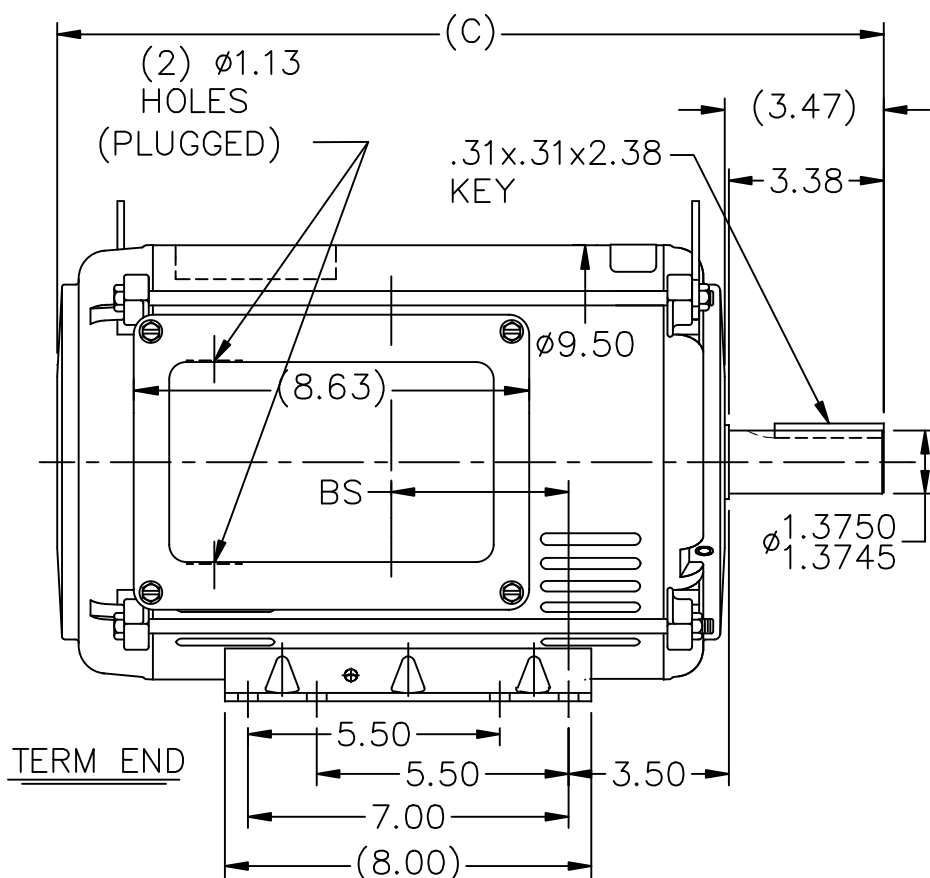


Nameplate Specifications

Phase	1	Output HP	7.50 Hp
Output KW	5.6 kW	Voltage	208-230 V
Speed	1735 rpm	Service Factor	1.15
Frame	215T	Enclosure	Drip Proof
Thermal Protection	No Protection	Efficiency	84 %
Ambient Temperature	40 °C	Frequency	60 Hz
Current	37.5-34.5 A	Power Factor	85.5
Duty	Continuous	Insulation Class	F
Design Code	L	KVA Code	G
Drive End Bearing Size	307	Opp Drive End Bearing Size	206
UL	Recognized	CSA	Y
CE	N	IP Code	22
Number of Speeds	1		


Technical Specifications

Electrical Type	Capacitor Start Capacitor Run	Starting Method	Across The Line
Poles	4	Rotation	Selective Counterclockwise
Resistance Main	0 Ohms	Mounting	Rigid Base
Motor Orientation	Horizontal	Drive End Bearing	Ball
Opp Drive End Bearing	Ball	Frame Material	Rolled Steel
Shaft Type	T	Overall Length	18.05 in
Frame Length	11.15 in	Shaft Diameter	1.375 in
Shaft Extension	3.38 in	Assembly/Box Mounting	F1 ONLY
Connection Drawing	A-EE9048MF-LN	Outline Drawing	037642LN-1115

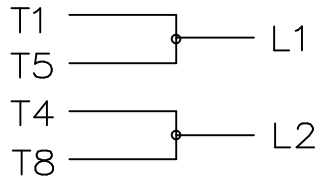


DASH	FR.	C	BS
965	213T	16.55	2.45
1115	213/15T	18.05	3.95
1240	213/15T	19.30	5.20

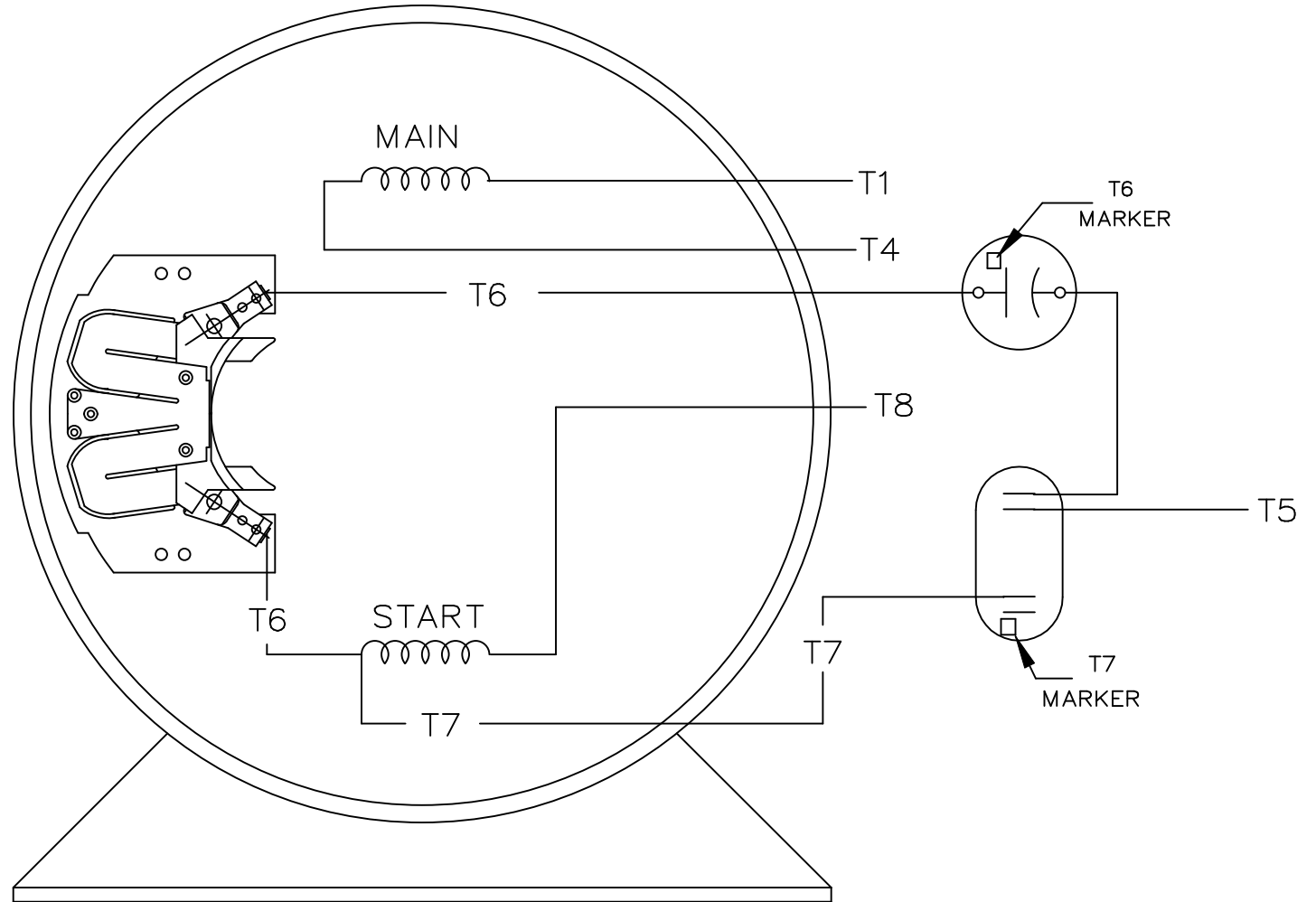
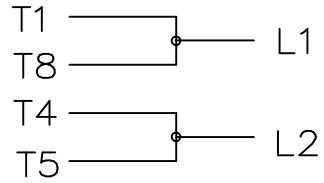
NOTES:
 1. NAMEPLATE TO BE READ FROM C'BOX SIDE OF MOTOR.

				TOLERANCES UNLESS SPECIFIED			DRAWN GRB 11/14/08			
				DEC.	INCHES		CHK SK 11/14/08	APPD		
				.X	$\pm .1$	TITLE OUTLINE - 210T DP - RIGID - STD	SCALE 1=4.2			
				.XX	$\pm .03$		REF SS86561LN			
				.XXX	$\pm .005$					
				.XXXX	$\pm .0005$					
01	DESCRIPTION CHANGED TO DP - RIGID- STD.	AK	02/22/10	CHK	ANG	MAT'L.	FMF			
NO.	REVISION		BY & DATE			FINISH	PREV			
THIS DRAWING IN DESIGN AND DETAIL IS OUR PROPERTY AND MUST NOT BE USED EXCEPT IN CONNECTION WITH OUR WORK ALL RIGHTS OF DESIGN AND INVENTION ARE RESERVED THIS IS AN ELECTRONICALLY GENERATED DOCUMENT - DO NOT SCALE THIS PRINT				RFP		CAD FILE 037642LN	SIZE A	DRAWING NO. 037642LN	PAGE 1 OF 1	REV. 01
				DIST	LB					

C.W. ROTATION




C.C.W. ROTATION



SINGLE VOLTAGE
CAPACITOR START
CAPACITOR RUN
REVERSIBLE

VIEW OF TERMINAL END

				TOLERANCES UNLESS SPECIFIED			DRAWN JJB 03-18-2008	
				DEC.	INCHES		CHK ML 03-18-2008	
				.X	±.1		APPD EH 03-18-2008	
				.XX	±.02		SCALE 1=1	
				.XXX	±.005		REF	
				.XXXX	±.0005	MAT'L.		
				ANG	±7'30"	FINISH		
NO.		REVISION		BY & DATE		PREV		
THIS DRAWING IN DESIGN AND DETAIL IS OUR PROPERTY AND MUST NOT BE USED EXCEPT IN CONNECTION WITH OUR WORK ALL RIGHTS OF DESIGN AND INVENTION ARE RESERVED THIS IS AN ELECTRONICALLY GENERATED DOCUMENT - DO NOT SCALE THIS PRINT				RFP		CAD FILE EE9048MF-LN		
				DIST LB		SIZE A	DRAWING NO. EE9048MF-LN	
						PAGE	OF	
						REV.		

```
ERROR: syntaxerror  
OFFENDING COMMAND: --nostringval--
```

```
STACK:
```

```
-dictionary-  
-dictionary-  
/Pscript_WinNT_Compat  
-dictionary-
```



**2100 WASHINGTON ST.
GRAFTON, WI
PH. 262-277-8810**

CERTIFICATION DATA SHEET

CONN. DIAGRAM: A-EE9048MF-LN

OUTLINE: 037642LN-1115

CATALOG : LM24683

WINDING #: BK104117 2

MOUNTING: F1 ONLY

TYPICAL MOTOR PERFORMANCE DATA

HP	kW	SYNC. RPM	F.L. RPM	FRAME	ENCLOSURE	KVA CODE	DESIGN
7 1/2	5.60	1800	1735	215T	DP	G	L

PH	Hz	VOLTS	AMPS	START TYPE	DUTY	INSL	S.F.	AMB°C
1	60	208-230	37.5-34.5	ACROSS THE LINE	CONTINUOUS	F4	1.15	40

FULL LOAD EFF:	84	3/4 LOAD EFF:	83.5	1/2 LOAD EFF:	82.5	GTD. EFF	ELEC. TYPE
FULL LOAD PF:	85.5	3/4 LOAD PF:	80	1/2 LOAD PF:	71	81.5	CAP START CAP RUN

F.L. TORQUE	LOCKED ROTOR AMPS	L.R. TORQUE	B.D. TORQUE	F.L. RISE°C
22.5 LB-FT	200	45 LB-FT 200 %	51.5 LB-FT 229 %	50

SOUND PRESSURE @ 3 FT.	SOUND POWER	ROTOR WK^2	MAX. WK^2	SAFE STALL TIME	STARTS / HOUR	APPROX. MOTOR WGT
0 dBA	10 dBA	0 LB-FT^2	0 LB-FT^2	0 SEC.	0	116 LBS.

***** SUPPLEMENTAL INFORMATION *****

DE BRACKET TYPE	ODE BRACKET TYPE	MOUNT TYPE	ORIENTATION	SEVERE DUTY	HAZARDOUS LOCATION	DRIP COVER	SCREENS	PAINT
STANDARD	STANDARD	RIGID	HORIZONTAL	FALSE	NONE	FALSE	NONE	GRAY - GE

BEARINGS		GREASE	SHAFT TYPE	SPECIAL DE	SPECIAL ODE	SHAFT MATERIAL	FRAME MATERIAL
DE	ODE						
BALL	BALL	POLYREX EM	T	NONE	NONE	AISI 1045 (C-240)	ROLLED STEEL
307	206						

THERMO-PROTECTORS				THERMISTORS	CONTROL	SPACE HEATERS
THERMOSTATS	PROTECTORS	WDG RTDs	BRG RTDs			
NONE	NOT	NONE	NONE	NONE	FALSE	NONE VOLTS

*
N
O
T
E
S
*

INVERTER TORQUE: NONE
INV. HP SPEED RANGE: NONE
ENCODER: NONE NONE NONE NONE NONE PPR
BRAKE: NONE NONE NONE P/N NONE NONE NONE NONE FT-LB NONE V NONE Hz



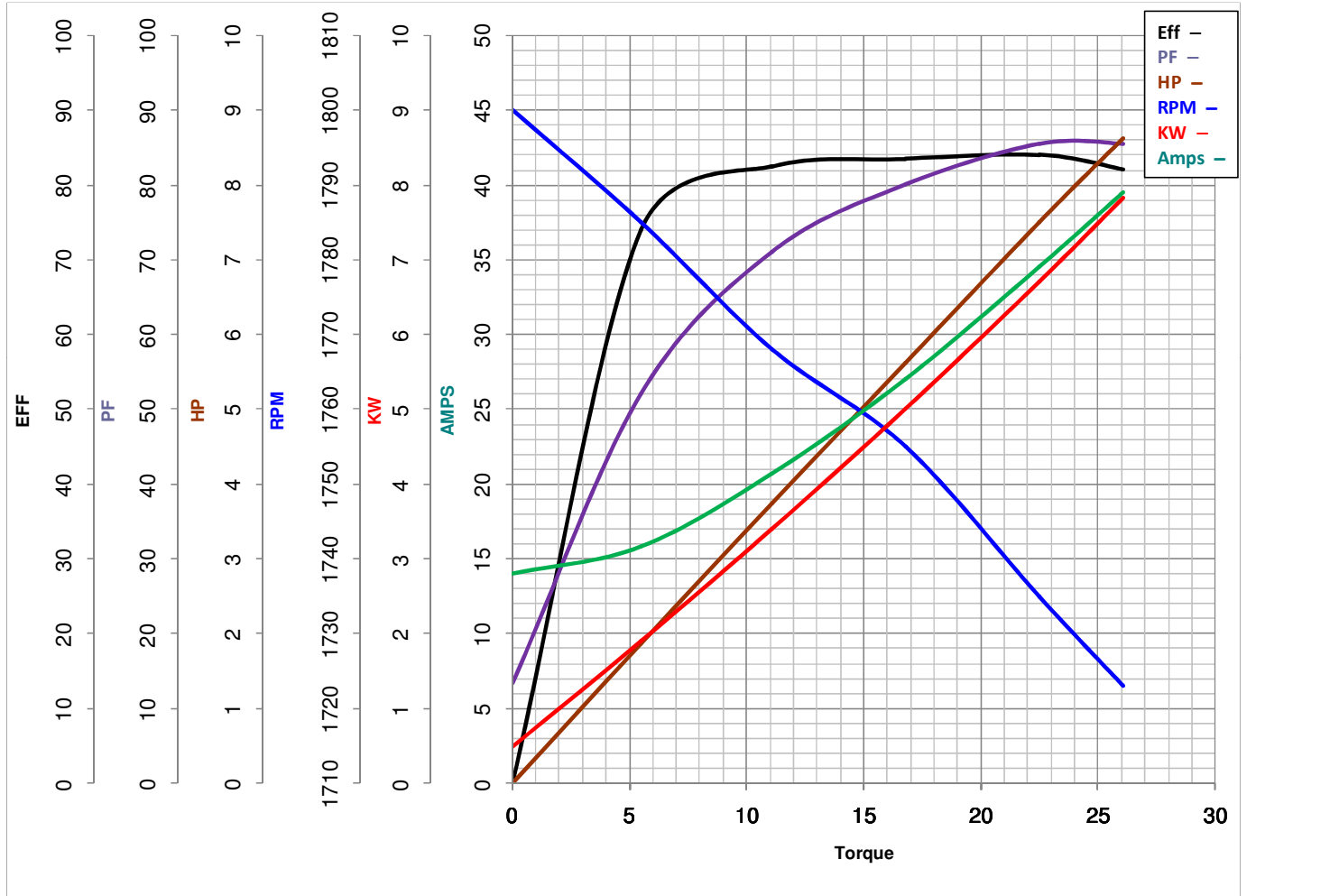
LEESON ELECTRIC CORPORATION
 TYPICAL PERFORMANCE CURVE for AC MOTOR

Model No LM24683

Curve at 230 Volts HP 7.50 PHASE 1
60 HZ
7.5 HP VOLTS 208-230

Catalog No LM24683AB

HZ 60 RPM 1735



FL TORQUE	<u>22.5</u>	Lb.Ft	FL AMPS	<u>37.5-34.5</u>	
BD TORQUE	<u>51.5</u>	Lb.Ft	PU TORQUE	<u>38.3</u>	Lb.Ft
LR TORQUE	<u>45</u>	Lb.Ft	LR AMPS	<u>200</u>	
WINDING	BK104117-2		Date	<u>4/19/2018</u>	