

# PRODUCT INFORMATION PACKET



Model No: LM24207  
Catalog No: LM24207  
20,1800,TEFC,256T,3/60/230/460

Regal and Leeson are trademarks of Regal Rexnord Corporation or one of its affiliated companies.  
©2023 Regal Rexnord Corporation, All Rights Reserved. MC017097E





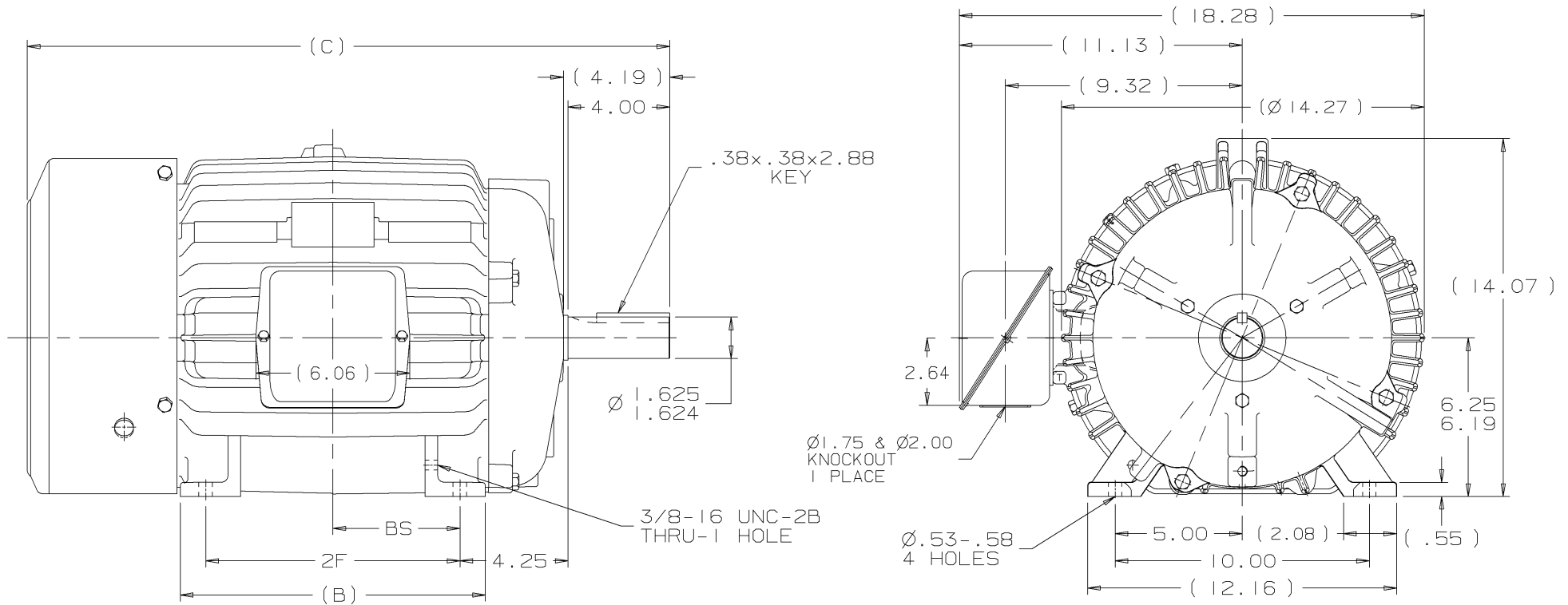
### Nameplate Specifications

Phase	<b>3</b>	Output HP	<b>20 &amp; 15 Hp</b>
Output KW	<b>14.9 &amp; 11.2 kW</b>	Voltage	<b>230/460 &amp; 190/380 V</b>
Speed	<b>1775 &amp; 1475 rpm</b>	Service Factor	<b>1.25 &amp; 1.0</b>
Frame	<b>256T</b>	Enclosure	<b>Totally Enclosed Fan Cooled</b>
Thermal Protection	<b>No Protection</b>	Efficiency	<b>93 &amp; 92.5 %</b>
Ambient Temperature	<b>40 °C</b>	Frequency	<b>60 &amp; 50 Hz</b>
Current	<b>48/24.1 &amp; 44/22 A</b>	Power Factor	<b>84</b>
Duty	<b>Continuous</b>	Insulation Class	<b>F</b>
Design Code	<b>B</b>	KVA Code	<b>G</b>
Drive End Bearing Size	<b>6309</b>	Opp Drive End Bearing Size	<b>6210</b>
UL	<b>Recognized</b>	CSA	<b>Y</b>
CE	<b>Y</b>	IP Code	<b>43</b>
Number of Speeds	<b>1</b>		

### Technical Specifications

Electrical Type	<b>Squirrel Cage Induction Run</b>	Starting Method	<b>Across The Line</b>
Poles	<b>4</b>	Rotation	<b>Reversible</b>
Resistance Main	<b>.474 Ohms</b>	Mounting	<b>Rigid Base</b>
Motor Orientation	<b>Horizontal</b>	Drive End Bearing	<b>Ball</b>
Opp Drive End Bearing	<b>Ball</b>	Frame Material	<b>Cast Iron</b>
Shaft Type	<b>T</b>	Assembly/Box Mounting	<b>F1/F2 CAPABLE</b>
Outline Drawing	<b>B-SS203015LN-1225</b>	Connection Drawing	<b>A-EE7308K-LN</b>

This is an uncontrolled document once printed or downloaded and is subject to change without notice. Date Created:06/22/2023



- NOTES:
1. BOX CAN BE ROTATED ON ITS AXIS.
  2. BOX CAN BE MOUNTED ON OPPOSITE SIDE BY REMOVING BRACKETS AND TURNING FRAME 180°
  3. NAMEPLATE TO BE READ FROM CONDUIT BOX SIDE OF MOTOR

(B-SS200197)

DASH	FRAME	B	C	2F	BS	REV	DATE	CHANGE	NAME	PART NAME	MATERIAL	DRWG NO
1050	254T	10.25	23.52	8.25	4.12	2	01-17-2000	UPDATED CONDUIT BOX PER CN 28427	TJB	OUTLINE - TEFC		B-SS203015LN
1225	256T	12.00	25.27	10.00	5.00	1	09-27-1999	NEW DRAWING	NJS	250T FRAME - B - TS - STD.		B-SS203015LN



UNLESS OTHERWISE SPECIFIED DIMENSIONS ARE IN INCHES  
 TOL. ON XX±.03 XXX±.005 XXXX±.0005 ANGLES± 7'30"

MAX. SURFACE ROUGHNESS UNLESS OTHERWISE NOTED

FINISH

MATERIAL

DRAWN BY NJS 09-24-1999

CHKD BY ML 09-27-1999

APPD BY TB 09-27-1999

PURCHASED | CADD FILE NO. | SS203015LN

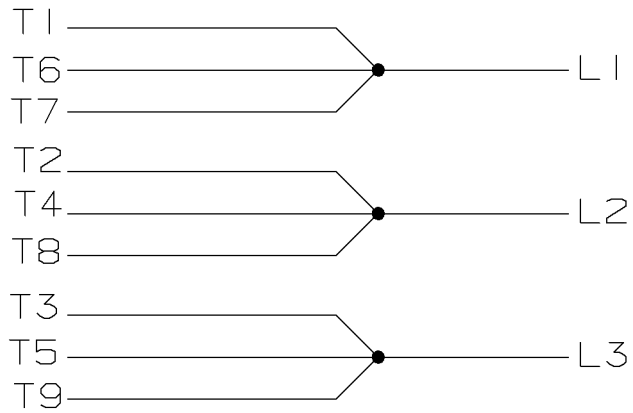
ERROR: syntaxerror  
OFFENDING COMMAND: --nostringval--

STACK:

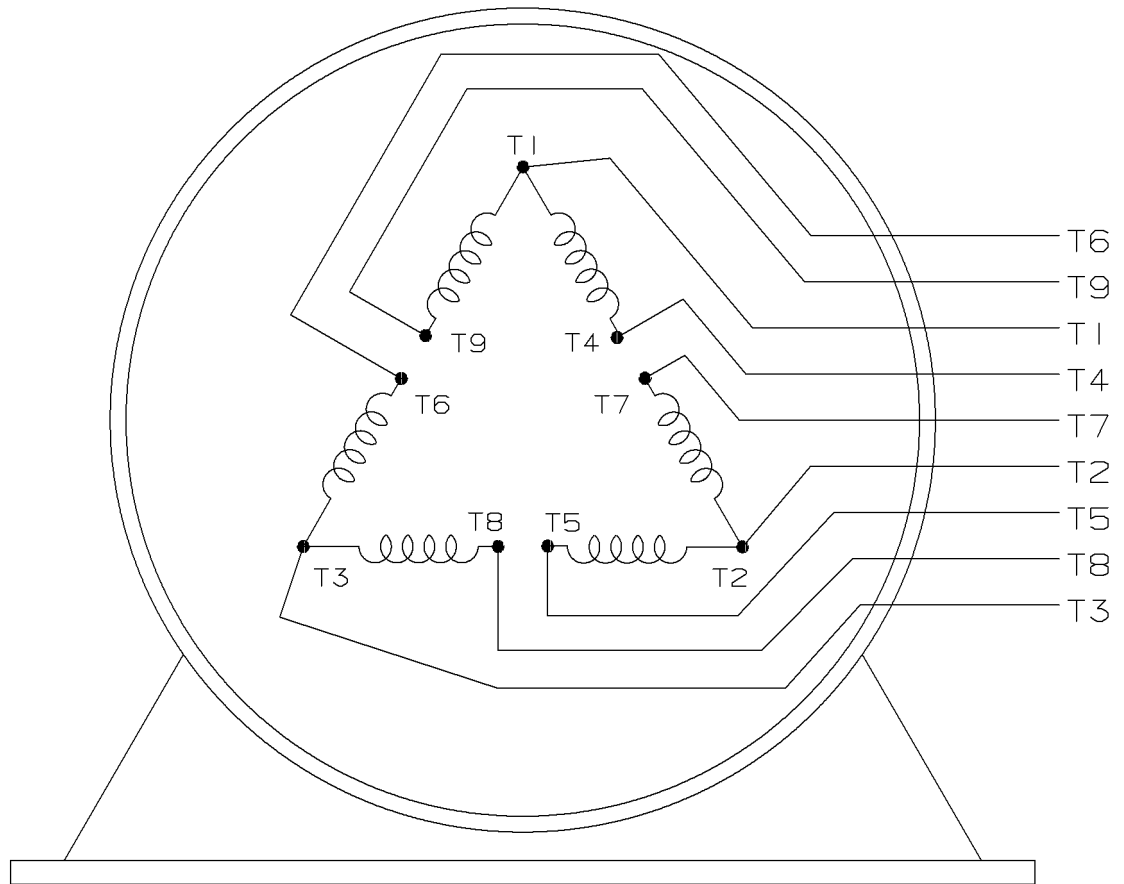
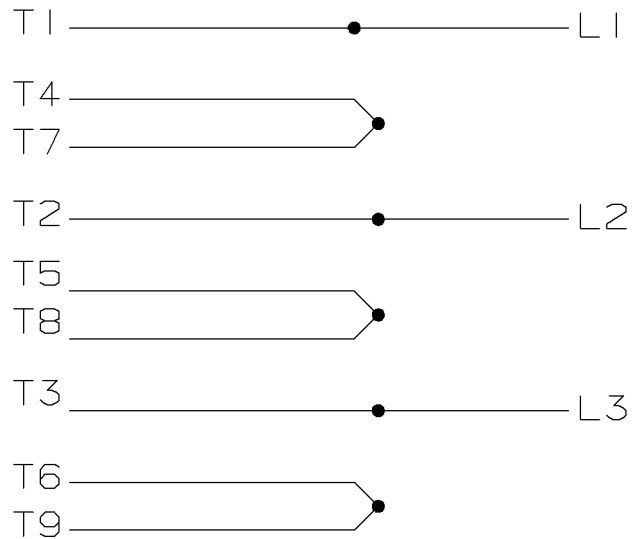
/p2e  
-savelevel-

LOW VOLTAGE

A-EE7308K-LN



HIGH VOLTAGE



					<input checked="" type="checkbox"/> UNLESS OTHERWISE SPECIFIED DIMENSIONS ARE IN INCHES TOL. ON XX±.02 XXX±.005 XXXX±.0005 ANGLES± 7'30"			
2	08-09-1999	RE-ISSUE, ADDED '-' TO PART NUMBER	BLR		MAX. SURFACE ROUGHNESS UNLESS OTHERWISE NOTED FINISH MATERIAL		DRAWN BY TRB	07-15-1999
1	06-18-1999	NEW DRAWING	TRB			CHKD BY ML	07-15-1999	
				PART NAME CONNECTION DIAGRAM DELTA CONN. - 3Ø - 9 LEADS			APPD BY GK	07-20-1999
REV	DATE	CHANGE	NAME				DRWG NO A-EE7308K-LN	
				PURCHASED	CADD FILE NO.	EE7308KLN		