

PRODUCT INFORMATION PACKET

Model No: LM23782

Catalog No: LM23782

Automotive Duty Motor, 2 HP, 3 Ph, 60 Hz, 460 V, 1800 RPM, 184UC Frame, TEFC



Regal and are trademarks of Regal Rexnord Corporation or one of its affiliated companies.
©2022 Regal Rexnord Corporation, All Rights Reserved. MC017097E

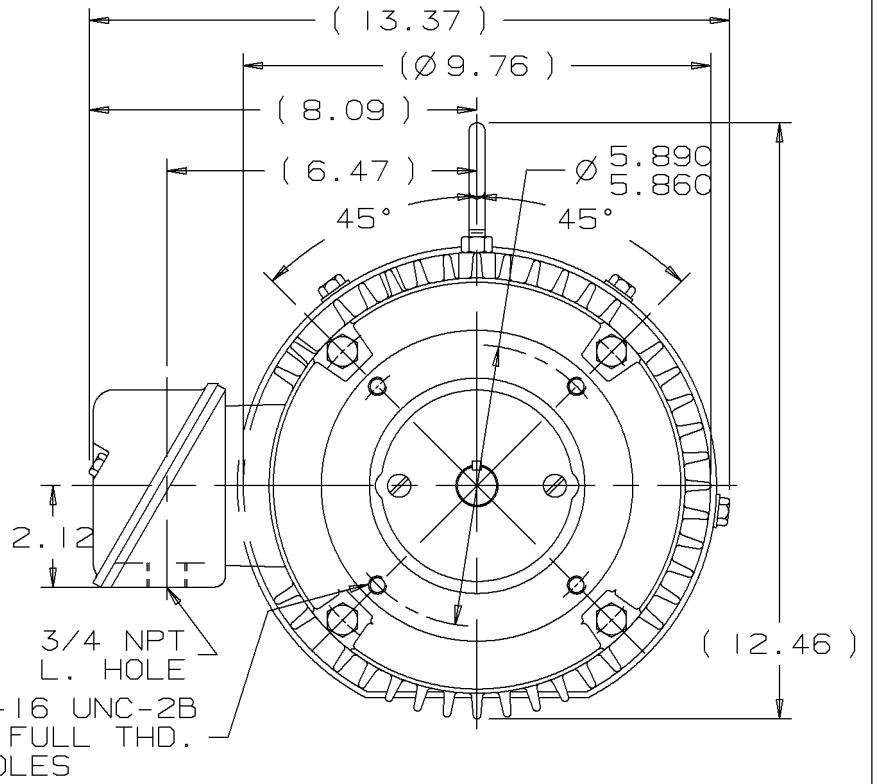
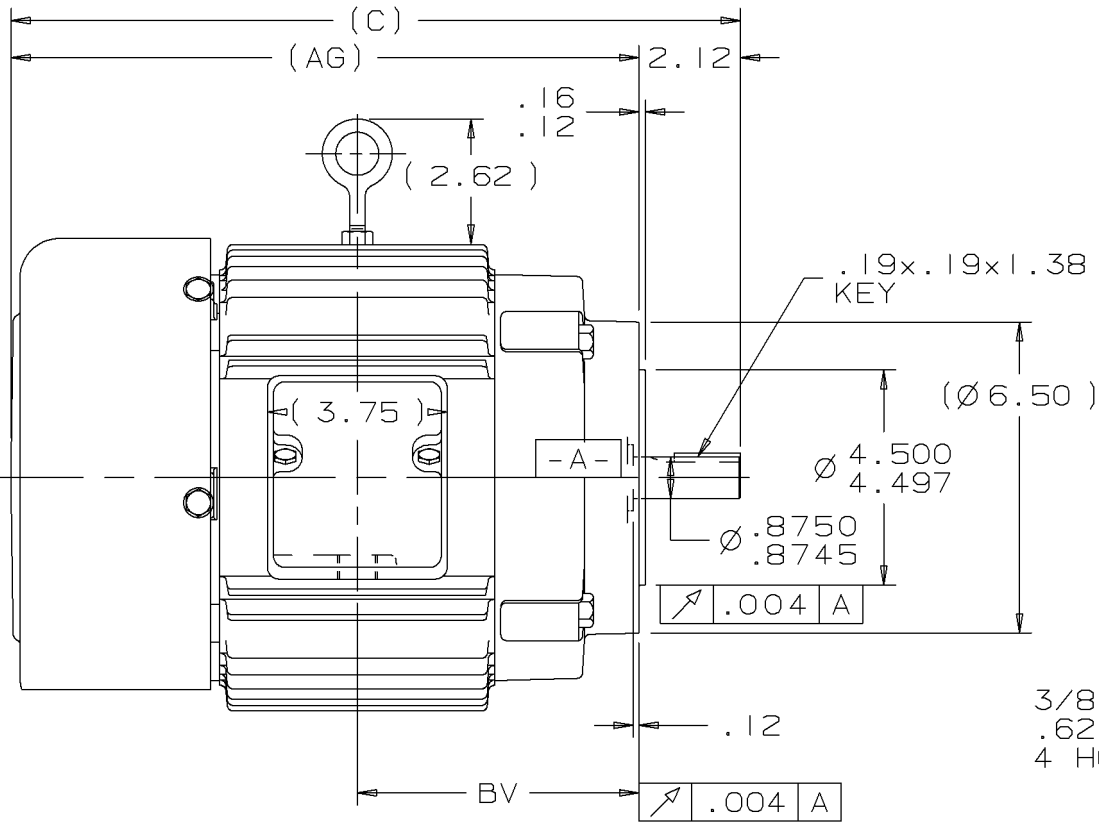
Nameplate Specifications

Output HP	2 Hp	Output KW	1.5 kW
Frequency	60 Hz	Voltage	460 V
Current	2.6 A	Speed	1765 rpm
Service Factor	1	Phase	3
Efficiency	89.5 %	Power Factor	80
Duty	Continuous	Insulation Class	F
Design Code	B	KVA Code	L
Frame	184UC	Enclosure	Totally Enclosed Fan Cooled
Thermal Protection	No Protection	Ambient Temperature	65 °C
Drive End Bearing Size	207	Opp Drive End Bearing Size	205
UL	Recognized	CSA	Y
CE	Y	IP Code	43
Number of Speeds	1		

Technical Specifications

Electrical Type	Squirrel Cage Induction Run	Starting Method	Across The Line
Poles	4	Rotation	Reversible
Resistance Main	5.8 Ohms	Mounting	Round
Motor Orientation	Horizontal	Drive End Bearing	Ball
Opp Drive End Bearing	Ball	Frame Material	Cast Iron
Shaft Type	U	Overall Length	16.22 in
Frame Length	6.75 in	Shaft Diameter	0.875 in
Shaft Extension	2.12 in	Assembly/Box Mounting	F1/F2 CAPABLE
Outline Drawing	A-SS69019LN-675	Connection Drawing	A-EE7300-LN

This is an uncontrolled document once printed or downloaded and is subject to change without notice. Date Created:09/07/2022



DASH	FR.	C	BV	AG
575	182U	15.22	5.88	13.10
675	182/4U	16.22	6.88	14.10

- NOTES:
1. BOX CAN BE MOUNTED ON OPPOSITE SIDE BY REMOVING BRACKETS & TURNING FRAME 180°.
 2. BOX CAN BE ROTATED IN 90° STEPS.
 3. NAMEPLATE TO BE READ FROM CONDUIT BOX SIDE OF MOTOR.

				Lincoln MOTORS		✓ UNLESS OTHERWISE SPECIFIED DIMENSIONS ARE IN INCHES TOL. ON XX±.03 XXX±.005 XXXX±.0005 ANGLES± 7'30"	
						MAX. SURFACE ROUGHNESS UNLESS OTHERWISE NOTED FINISH MATERIAL	
						DRAWN BY DRS 09-01-2000 CHKD BY ML 09-01-2000 APPD BY TB 09-01-2000	
REV	DATE	CHANGE	NAME	PART NAME OUTLINE 180U FR. - TEFC - C-FACE			DRWG NO A-SS69019LN

PURCHASED CADD FILE NO. SS69019LN

ERROR: syntaxerror
OFFENDING COMMAND: --nostringval--

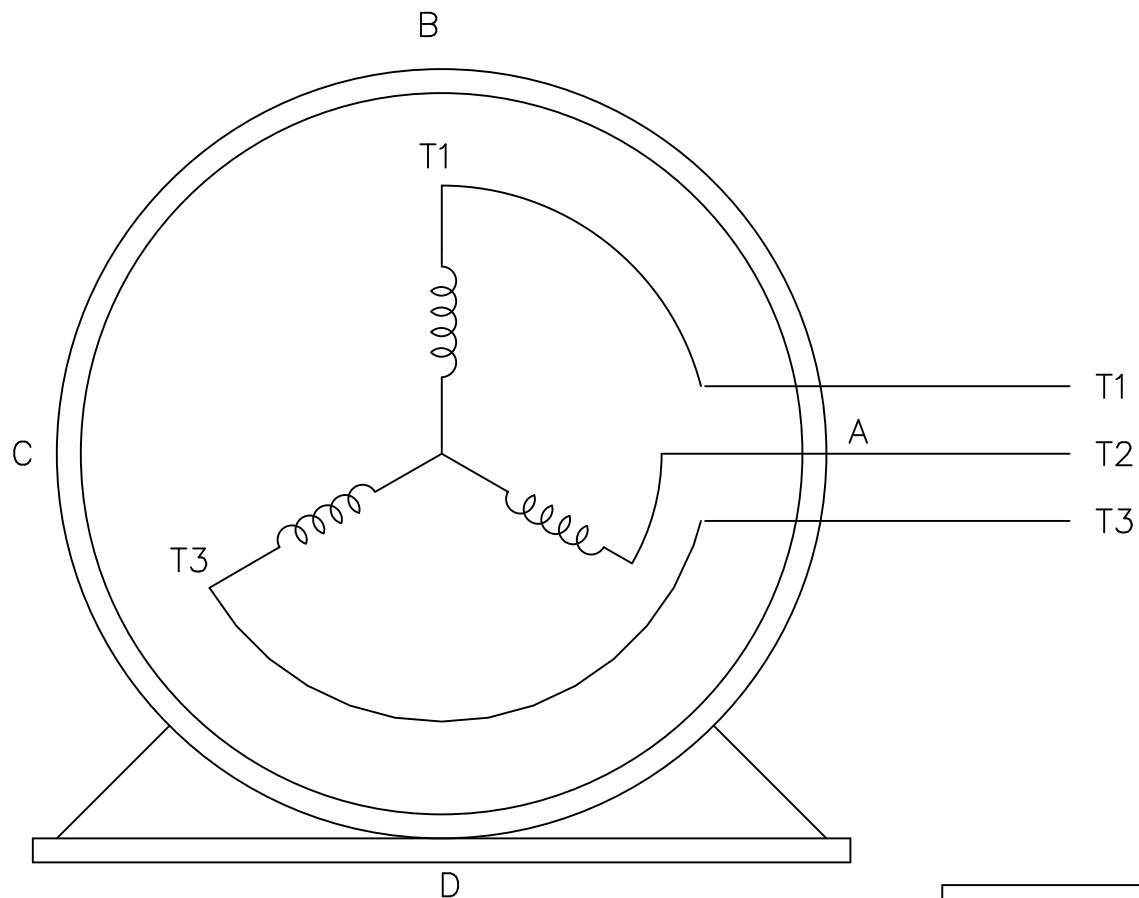
STACK:

/p2e
-savelevel-

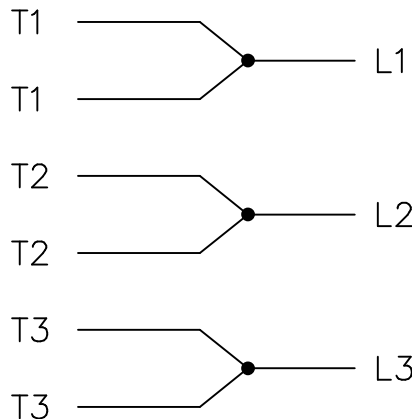
THREE PHASE – SINGLE VOLTAGE
MOTOR – CONDUIT BOX @ 'A'

EE7300-LN

TO REVERSE ROTATION:
INTERCHANGE ANY TWO LINE
LEAD CONNECTIONS




IF MOTOR HAS
6 LEADS



A-9806 DECAL

OPTIONAL CORD
CONNECTION

L1 WHITE
L2 RED
L3 BLACK

				TOLERANCES UNLESS SPECIFIED			DRAWN BLR 08-13-1999		
				DEC.	INCHES		CHK ML 08-13-1999		
				.X	±.1		APPD GK 08-13-1999		
				.XX	±.02		SCALE 1=1		
2	ADDED OPTIONAL CORD CONNECTION PER MU47226	CTO 03-31-2004	PJB	.XXX	±.005	TITLE CONNECTION DIAGRAM SINGLE VOLT – 3Ø MOTOR	REF		
1	NEW DRAWING	CTO 08-13-1999		.XXXX	±.0005		MAT'L.	FMF	
NO.	REVISION	BY & DATE	CHK	ANG	±7'30"	FINISH	PREV		
THIS DRAWING IN DESIGN AND DETAIL IS OUR PROPERTY AND MUST NOT BE USED EXCEPT IN CONNECTION WITH OUR WORK ALL RIGHTS OF DESIGN AND INVENTION ARE RESERVED THIS IS AN ELECTRONICALLY GENERATED DOCUMENT – DO NOT SCALE THIS PRINT				RFP	CAD FILE EE7300_LN		SIZE	DRAWING NO. PAGE OF	REV.
				DIST WP			A	EE7300-LN	2

P.O. BOX 8003
 WAUSAU, WI 54401-8003
 PH. 715-675-3311



DATA VOLTS: 460

CERTIFICATION DATA SHEET

CONN. DIAGRAM: A-EE7300-LN
 OUTLINE: A-SS69019LN-675
 WINDING: K1824121

CAT #: LM23782

NONE 1

TYPICAL MOTOR PERFORMANCE DATA

HP	KW	SYNC RPM	FL RPM	FRAME	ENCLOSURE	TYPE	KVA CODE	DESIGN
2	1.5	1800	1765	184UC	TEFC	TFN	L	B

PH	HZ	VOLTS	AMPS	START TYPE	DUTY	INSL	S.F.	AMB	ELEV.
3	60	460	2.6	ACROSS THE LINE	CONT	F	1.15	65	3300

F.L. EFF	89.5	3/4 LD EFF	89.5	1/2 LD EFF	87.5	GTD EFF	87.5	ELECT. TYPE	SQ CAGE IND RUN
F.L. PF	80.0	3/4 LD PF	75.0	1/2 LD PF	63.0				

F.L. TORQUE	LR AMPS @ 460 V	L.R. TORQUE	B.D. TORQUE	F.L. RISE (°C)
6.0 LB-FT	24.0	14.1 LB-FT 235%	21.0 LB-FT 350%	30

PRESSURE @ 3	POWER	ROTOR WK²	MAX. LOAD WK²	SAFE STALL TIME	STARTS/HOUR	MOTOR WGT
62 dBA	71 dBA	0.40 LB-FT²	13 LB-FT²	30 SEC.	2	95 LB.

*** SUPPLEMENTAL INFORMATION ***

DE BRACKET TYPE	ODE BRACKET TYPE	MOUNT TYPE	MOTOR ORIENTATION	SEVERE DUTY	HAZARDOUS LOCATION	DRIP COVER	SCREENS	PAINT
C-FACE	STANDARD	ROUND	HORIZONTAL	NO	NONE	NO	NONE	GRAY - LINCOLN

BEARINGS		GREASE	SHAFT TYPE	SPECIAL DE	SPECIAL ODE	SHAFT MATERIAL	FRAME MATERIAL
DE	ODE						
BALL	BALL	POLYREX EM	U	NONE	NONE	1144 STRESSPROOF (C-223)	CAST IRON
207	205						

THERMOSTATS	PROTECTORS	WDG RTD's	BRG RTD's	THERMISTORS	CONTROL	SPACE HEATERS
NONE	NOT	NONE	NONE	NONE	FALSE	NA

R1 (ohms/ph)	R2 (ohms/ph)	X1 (ohms/ph)	X2 (ohms/ph)	Xm (ohms/ph)	VIBRATION (in/sec)	FLOAT
3.536	2.13	7.668	12.212	213	0.080	ODE

* N O T E S *	INVERTER TORQUE: NONE	
	INV. HP SPEED RANGE: NONE	
	ENCODER: NONE	
	NONE	
	NONE NONE PPR	

DATE: 2/14/2018	BRAKE: NONE	
	NONE NONE NONE	
	FT-LB: NA	HZ:
VOLTAGE: NONE		
UL: V-INS, CONST UL REC		

Data Sheet

Date: 2/1/2018

LM23782



Data @ **460 V**

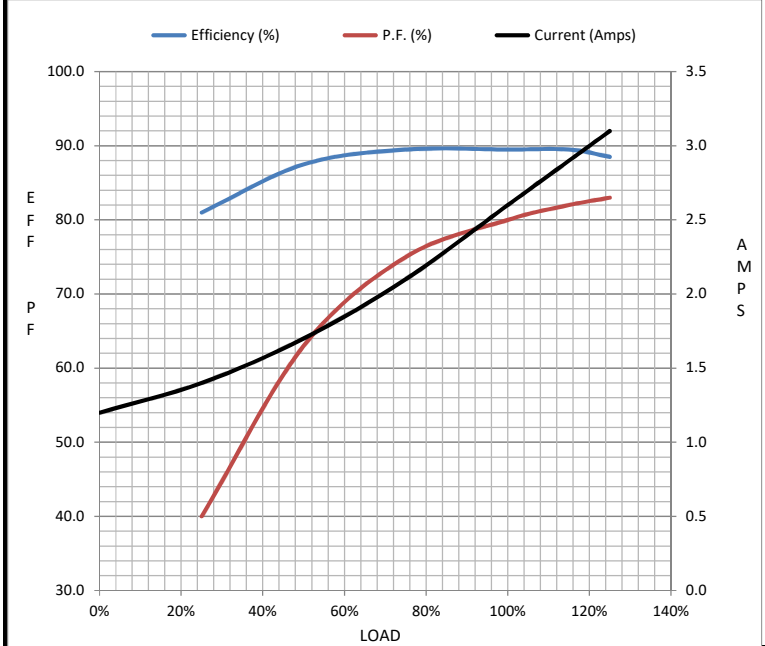
Motor Load Data

Load	0%	25%	50%	75%	100%	115%	125%	LR
Current (Amps)	1.20	1.40	1.70	2.10	2.60	2.90	3.1	24.0
Torque (ft-lb)	0.00	1.50	3.0	4.5	6.0	7.0	7.5	14.1
RPM	1800	1790	1785	1775	1765	1.760	1755	0
Efficiency (%)		81.0	87.5	89.5	89.5	89.5	88.5	
P.F. (%)	8.0	40.0	63.0	75.0	80.0	82.0	83.0	44.0

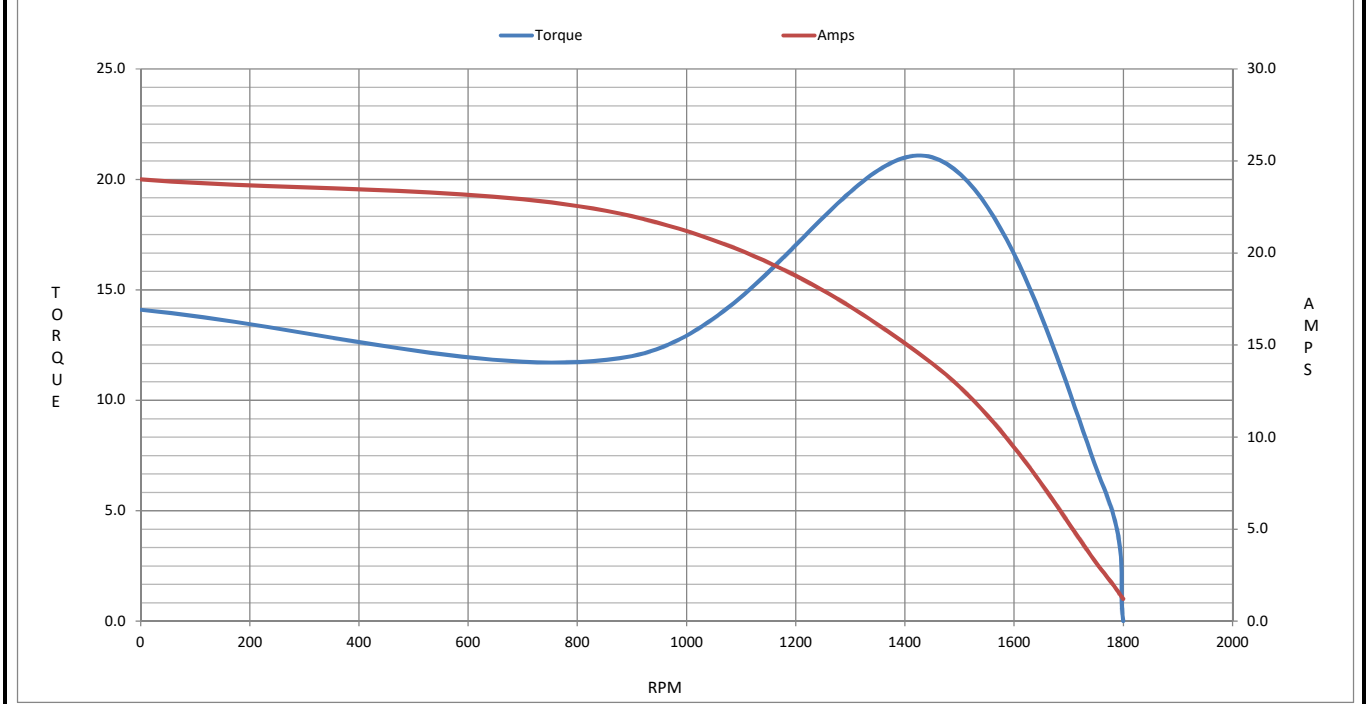
Motor Speed Data

	LR	Pull-Up	BD	Rated	Idle
Speed (RPM)	0	900	1450	1765	1800
Current (Amps)	24.0	22.0	14.0	2.60	1.20
Torque (ft-lb)	14.1	12.0	21.0	6.0	0.00

Information Block				
HP	2.0			
Sync. RPM	1800			
Frame	182			
Enclosure	TEFC			
Construction	TFN			
Voltage	460 V			
Frequency	60 Hz			
Design	A			
LR Code letter	L			
Service Factor	1.15			
Temp Rise @ FL	30 °C			
Duty	CONT			
Ambient	40 °C			
Elevation	1,000 feet			
Rotor/Shaft wk ²	0.40 Lb-Ft ²			
Ref Wdg	K1824121 NONE			
Sound Pressure @ 1M	62 dBA			
VFD Rating	NONE			
Outline Dwg	A-SS69019LN-675			
Conn. Diag	A-EE7300-LN			
Additional Specifications:				
0				
0				
EQUIV CKT (OHMS / PHASE)				
R1	R2	X1	X2	Xm
3.5360	2.1300	7.6680	12.2120	213.0000



Speed - Torque Curve



EC Declaration of Conformity

The undersigned representing
the manufacturer:

Regal Beloit America
100 East Randolph St.
Wausau, WI 54401

and the authorized representative
established within the Community:

Marathon Electric UK
6F Thistleton Road Ind. Estate
Market Overton
Oakham, Rutland LE15 7PP UK

are committed to providing customers with products that comply with applicable regulations and international protocols to which they are subject, including the requirements of the European Parliament Directive on the Harmonization of the laws relating to electrical equipment designed for use within certain voltage limits (2014/35/EU).

Regal Beloit America declares that the following product(s), to which this declaration relates, are in conformity with the relevant sections of the EC standards listed below.

This statement supersedes any statements previously issued pertaining to the product(s) listed below and is subject to change without notice.

Model No : LM23782

(Model No. may contain prefix and/or suffix characters)

Catalog No : LM23782

Rework No : N/A

Directives :

Low Voltage Directive 2014/35/EU

Harmonized Standards Used :

EN 60034-1: 2010 (IEC 60034-1: 2010)

EN 60034-5: 2001/A1:2007 (IEC 60034-5: 2000/A1:2006)

Authorized Representative:



Michael A. Logsdon
Vice President, Technology

Authorized Representative in the Community:



Julian Clark
Marketing Engineer

Created on 09/01/2022

CE 22