

# PRODUCT INFORMATION PACKET

Model No: LM23776

Catalog No: LM23776

OBSOLETE - REPLACED BY LM21840 - 5,1800,TEFC,215UC,3/60/460

Regal and are trademarks of Regal Rexnord Corporation or one of its affiliated companies.  
©2022 Regal Rexnord Corporation, All Rights Reserved. MC017097E



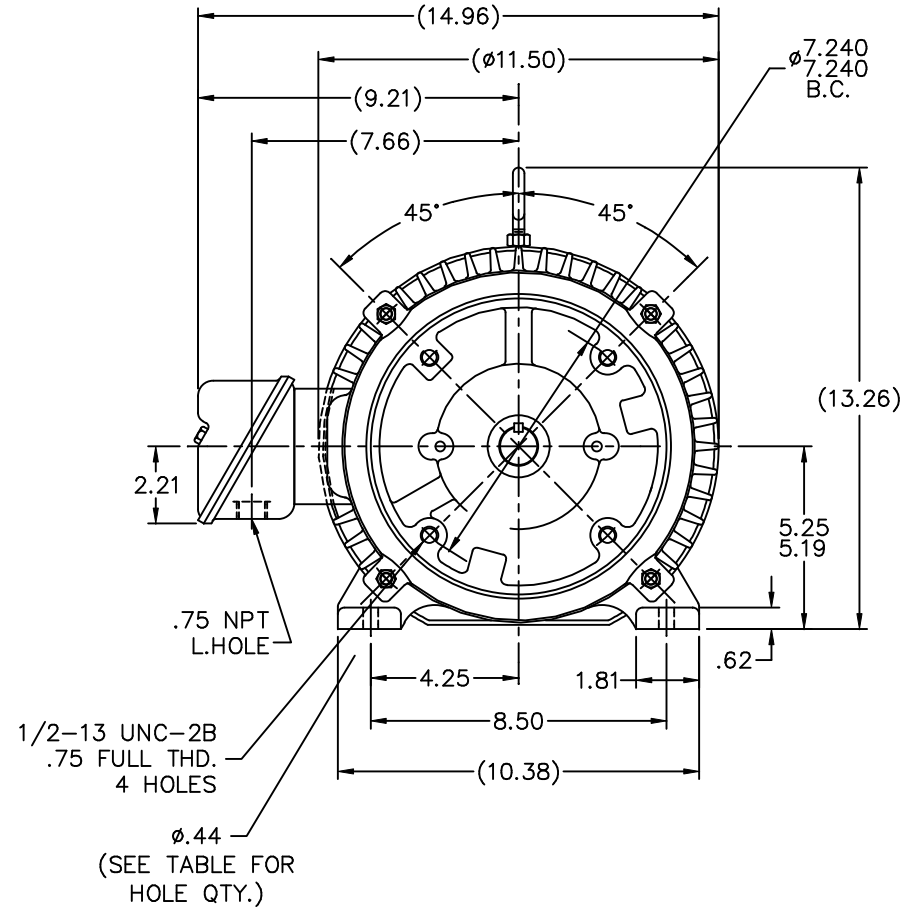
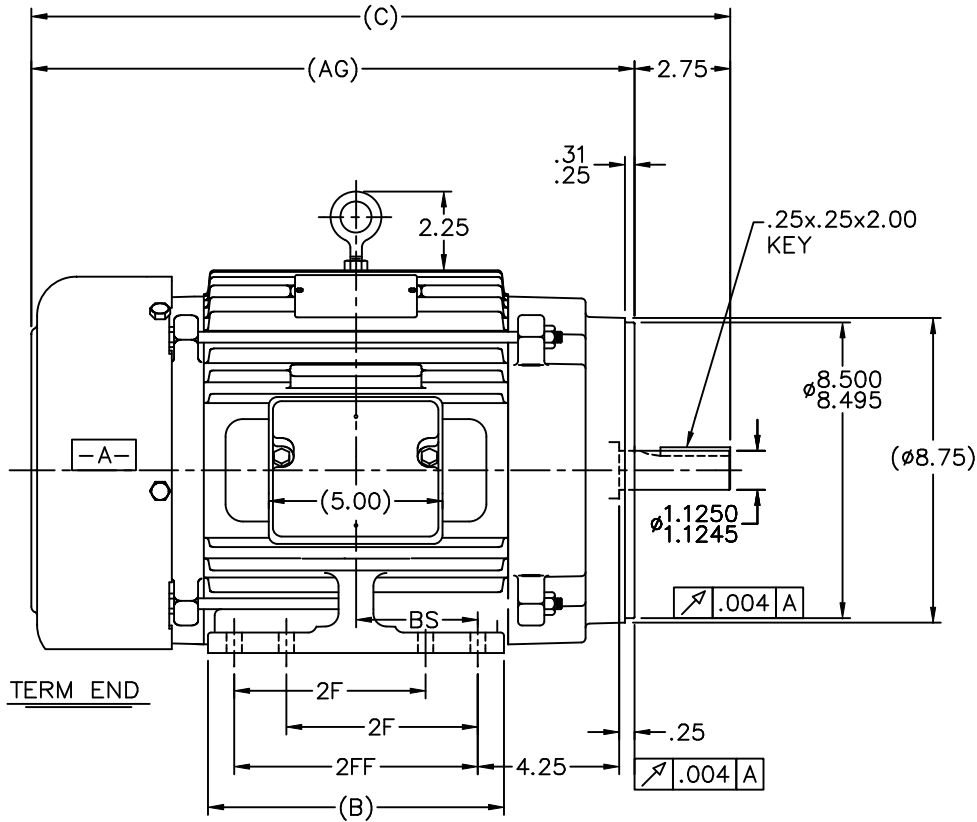
### Nameplate Specifications

Output HP	5 Hp	Output KW	3.7 kW
Frequency	60 Hz	Voltage	460 V
Current	6.5 A	Speed	1765 rpm
Service Factor	1	Phase	3
Efficiency	88.5 %	Power Factor	83
Duty	Continuous	Insulation Class	F
Design Code	B	KVA Code	G
Frame	215UC	Enclosure	Totally Enclosed Fan Cooled
Thermal Protection	No Protection	Ambient Temperature	65 °C
Drive End Bearing Size	309	Opp Drive End Bearing Size	206
UL	Recognized	CSA	Y
CE	Y	IP Code	43
Number of Speeds	1		

### Technical Specifications

Electrical Type	Squirrel Cage Induction Run	Starting Method	Across The Line
Poles	4	Rotation	Reversible
Resistance Main	2.16 Ohms	Mounting	Rigid Base
Motor Orientation	Horizontal	Drive End Bearing	Ball
Opp Drive End Bearing	Ball	Frame Material	Cast Iron
Shaft Type	U	Assembly/Box Mounting	F1/F2 CAPABLE
Outline Drawing	A-SS88249LN-875	Connection Drawing	A-EE7300-LN

This is an uncontrolled document once printed or downloaded and is subject to change without notice. Date Created:07/18/2022



- NOTES:  
 1. BOX CAN BE ROTATED IN 90° STEPS.  
 2. BOX CAN BE MOUNTED ON OPPOSITE SIDE BY REMOVING BRACKETS AND TURNING FRAME 180°.  
 3. NAMEPLATE TO BE READ FROM CONDUIT BOX SIDE OF MOTOR.

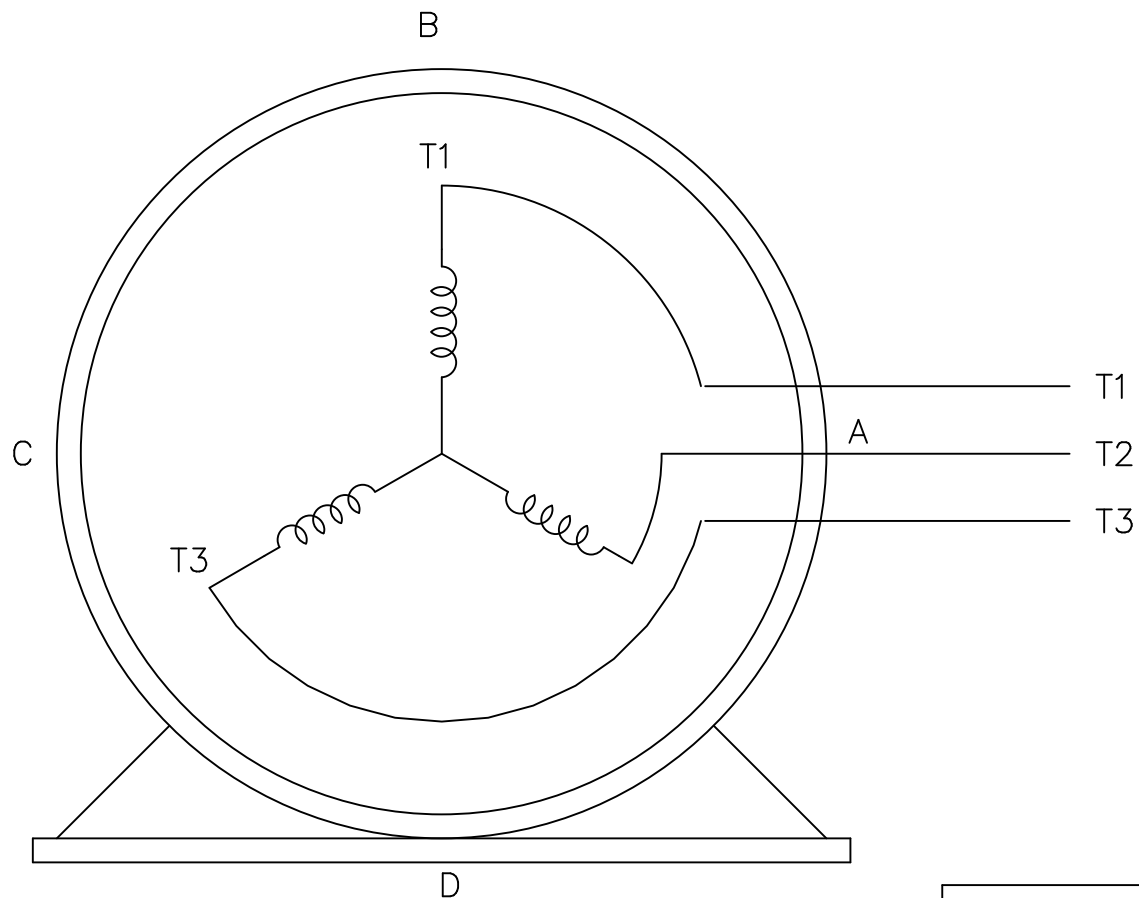
DASH	FRAME	C	AG	B	2F	2FF	BS	FOOT HOLE QTY.
725	213UC	18.58	15.83	7.00	-	5.50	2.73	4
875	213/15UC	20.08	17.33	8.50	5.50	7.00	3.50	8

		TOLERANCES UNLESS SPECIFIED		Lincoln MOTOR		DRAWN DRS 08-08-2000					
		DEC.	INCHES			CHK	ML 08-08-2000				
4	UPDATED DIM'S & TABLE FOR FOOT HOLES CN 38308	TAT	06-21-2005	ML	.X	±.1	APPD TB 08-14-2000				
3	REVISED C' BOX WAS 3.75" WIDE CN 28426	RJW	01-07-2005	.XX	±.03	TITLE OUTLINE	SCALE 9-32				
2	CORRECTED DASH 725 C DIM WAS 21.58 CN29200-1013	BJW	10-27-2000	.XXX	±.005	210UC FR. - BB - TEFC - C' FACE	REF				
1	NEW DRAWING MU32711	DRS	08-14-2000	.XXXX	±.0005	MATL	FMF				
NO.	REVISION	BY & DATE	CHK	ANG	±1/2"	FINISH	PREV				
THIS DRAWING IN DESIGN AND DETAIL IS OUR PROPERTY AND MUST NOT BE USED EXCEPT IN CONNECTION WITH OUR WORK ALL RIGHTS OF DESIGN AND INVENTION ARE RESERVED THIS IS AN ELECTRONICALLY GENERATED DOCUMENT - DO NOT SCALE THIS PRINT						CAD FILE ss88249ln	SIZE	DRAWING NO.	PAGE	OF	REV.
						RFP	B	SS88249LN	4		4
						DIST	LB				

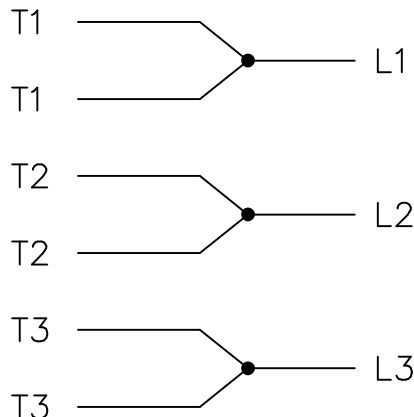
THREE PHASE – SINGLE VOLTAGE  
MOTOR – CONDUIT BOX @ 'A'

EE7300-LN

TO REVERSE ROTATION:  
INTERCHANGE ANY TWO LINE  
LEAD CONNECTIONS



IF MOTOR HAS  
6 LEADS




A-9806 DECAL

VIEW OF TERMINAL END

OPTIONAL CORD  
CONNECTION

L1 WHITE  
L2 RED  
L3 BLACK

				TOLERANCES UNLESS SPECIFIED			DRAWN BLR 08-13-1999	
				DEC.	INCHES		CHK ML 08-13-1999	
				.X	±.1		APPD GK 08-13-1999	
				.XX	±.02		SCALE 1=1	
2	ADDED OPTIONAL CORD CONNECTION PER MU47226	CTO 03-31-2004	PJB	.XXX	±.005	TITLE CONNECTION DIAGRAM SINGLE VOLT – 3Ø MOTOR	REF	
1	NEW DRAWING	CTO 08-13-1999		.XXXX	±.0005		MAT'L.	FMF
NO.	REVISION	BY & DATE	CHK	ANG	±7'30"	FINISH	PREV	
THIS DRAWING IN DESIGN AND DETAIL IS OUR PROPERTY AND MUST NOT BE USED EXCEPT IN CONNECTION WITH OUR WORK ALL RIGHTS OF DESIGN AND INVENTION ARE RESERVED THIS IS AN ELECTRONICALLY GENERATED DOCUMENT – DO NOT SCALE THIS PRINT			RFP	CAD FILE EE7300_LN		SIZE	DRAWING NO. PAGE OF	REV.
			DIST WP			A	EE7300-LN	2