

# PRODUCT INFORMATION PACKET



Model No: LM22053  
Catalog No: LM22053  
445TSODP 200HP1800 460000000/360

Regal and Leeson are trademarks of Regal Rexnord Corporation or one of its affiliated companies.  
©2023 Regal Rexnord Corporation, All Rights Reserved. MC017097E





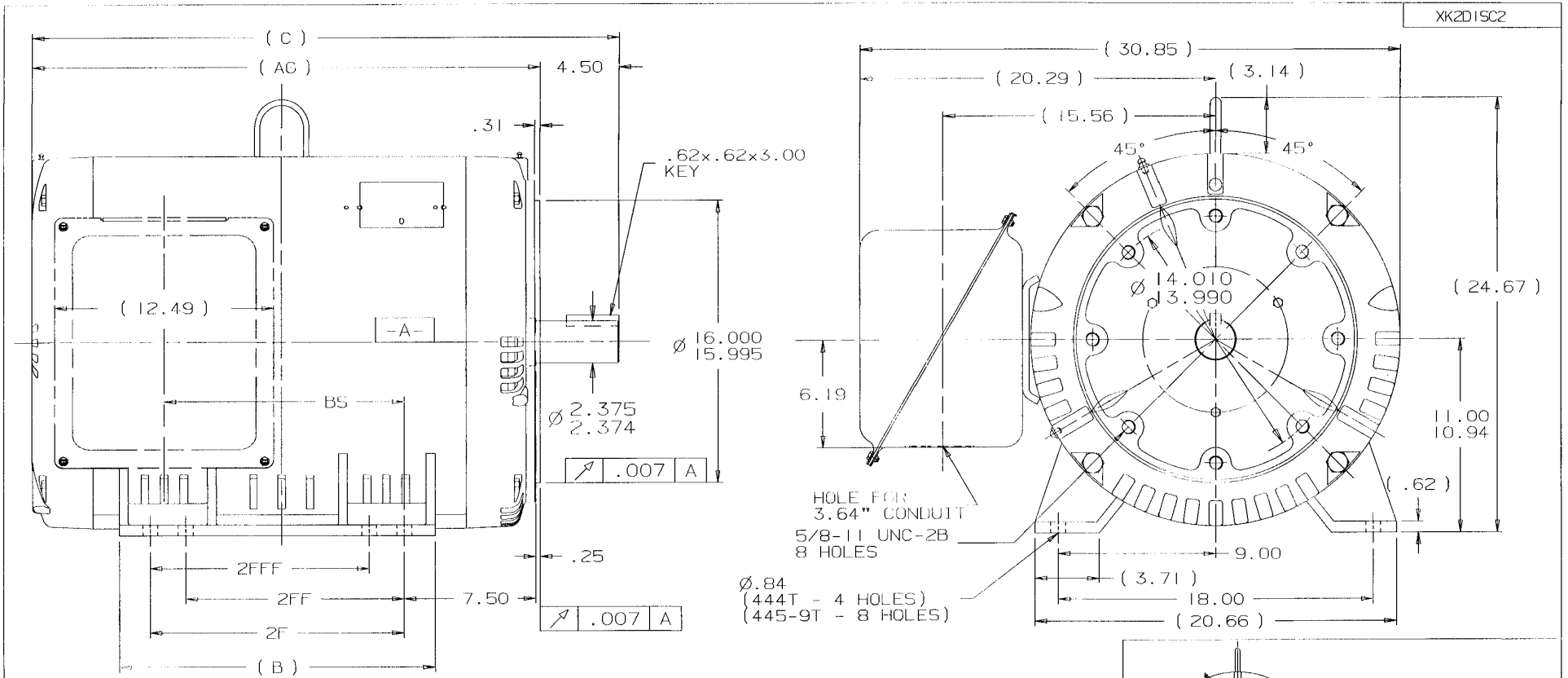
### Nameplate Specifications

Phase	<b>3</b>	Output HP	<b>200 &amp; 150 Hp</b>
Output KW	<b>149.2 &amp; 111.9 kW</b>	Voltage	<b>460 &amp; 380 V</b>
Speed	<b>1787 &amp; 1488 rpm</b>	Service Factor	<b>1.25 &amp; 1.15</b>
Frame	<b>445TSC</b>	Enclosure	<b>Drip Proof</b>
Thermal Protection	<b>No Protection</b>	Efficiency	<b>96.2 &amp; 95.8 %</b>
Ambient Temperature	<b>40 °C</b>	Frequency	<b>60 &amp; 50 Hz</b>
Current	<b>233 &amp; 214 A</b>	Power Factor	<b>83.5</b>
Duty	<b>Continuous</b>	Insulation Class	<b>F</b>
Design Code	<b>BC</b>	KVA Code	<b>G</b>
Drive End Bearing Size	<b>318</b>	Opp Drive End Bearing Size	<b>315</b>
UL	<b>Recognized</b>	CSA	<b>Y</b>
CE	<b>Y</b>	IP Code	<b>22</b>
Number of Speeds	<b>1</b>		

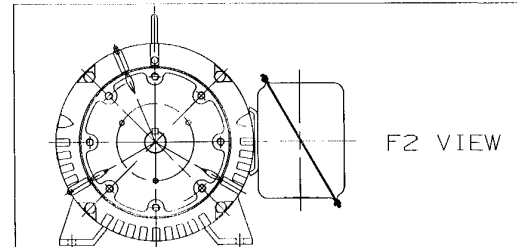
### Technical Specifications

Electrical Type	<b>Squirrel Cage Induction Run</b>	Starting Method	<b>Wye Start Delta Run</b>
Poles	<b>4</b>	Rotation	<b>Reversible</b>
Resistance Main	<b>.018 Ohms</b>	Mounting	<b>Rigid Base</b>
Motor Orientation	<b>Horizontal</b>	Drive End Bearing	<b>Ball</b>
Opp Drive End Bearing	<b>Ball</b>	Frame Material	<b>Rolled Steel</b>
Shaft Type	<b>TS</b>	Assembly/Box Mounting	<b>F2/F1 CAPABLE</b>
Outline Drawing	<b>XK2D1SC2-2327</b>	Connection Drawing	<b>A-EE7340-LN</b>

This is an uncontrolled document once printed or downloaded and is subject to change without notice. Date Created:06/22/2023



NOTES:  
 1. CONDUIT BOX CAN BE ROTATED IN 90° STEPS.  
 2. NAMEPLATES TO BE READ FROM CONDUIT BOX SIDE OF MOTOR.



DASH	FRAME	C	AG	B	2F	2FF	2FFF	BS	REV	DATE	CHANGE	DRS	NAME	PART NAME	OUTLINE	NEMA MOTORS	DRWG NO
2127	444TS	33.50	29.00	18.00	14.50	---	---	13.96	3	10-30-2001	ADDED 447 AND 449 FRAMES MU39294	DRS	DRS	440TS OPD UE	OUTLINE	NEMA MOTORS	XK2D1SC2
2327	445TS	35.50	31.00	20.00	16.50	14.50	14.50	15.96	2	10-28-2001	GEOMETRIC TOLERANCES WERE .004 SHOULD BE .007 CN 29200 2092	DRS	TJB	440TS OPD UE	OUTLINE	NEMA MOTORS	XK2D1SC2
2677	447TS	39.00	34.50	23.50	20.00	16.50	16.50	19.46	1	08-30-2001	NEW DRAWING REPLACES 3XSD122FCSK-1 CN 34258	TJB	TJB	440TS OPD UE	OUTLINE	NEMA MOTORS	XK2D1SC2
3177	449TS	44.00	39.50	28.50	25.00	20.00	20.00	23.71						440TS OPD UE	OUTLINE	NEMA MOTORS	XK2D1SC2

UNLESS OTHERWISE SPECIFIED DIMENSIONS ARE IN INCHES  
 TOL. ON XX+.05 XXX+.005 XXXX+.0005 ANGLES± 7'30"

MAX. SURFACE ROUGHNESS  
 UNLESS OTHERWISE NOTED

FINISH

MATERIAL

DRAWN BY TJB 08-09-2001  
 CHKD BY ML 08-23-2001  
 APPD BY HNH 08-30-2001

PART NAME 440TS OPD UE  
 OUTLINE NEMA MOTORS

DISTRIBUTION ~~XX~~ - ~~XX~~ - ~~XX~~ - BY CAD FILE NO. XK2D1SC2

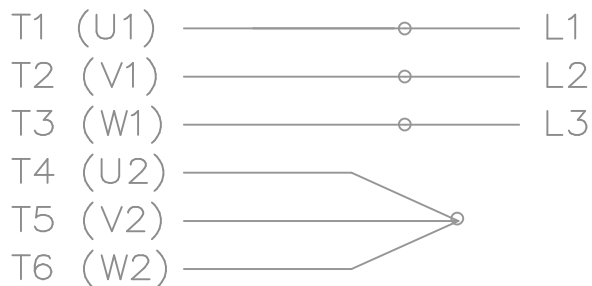
ERROR: syntaxerror  
OFFENDING COMMAND: --nostringval--

STACK:

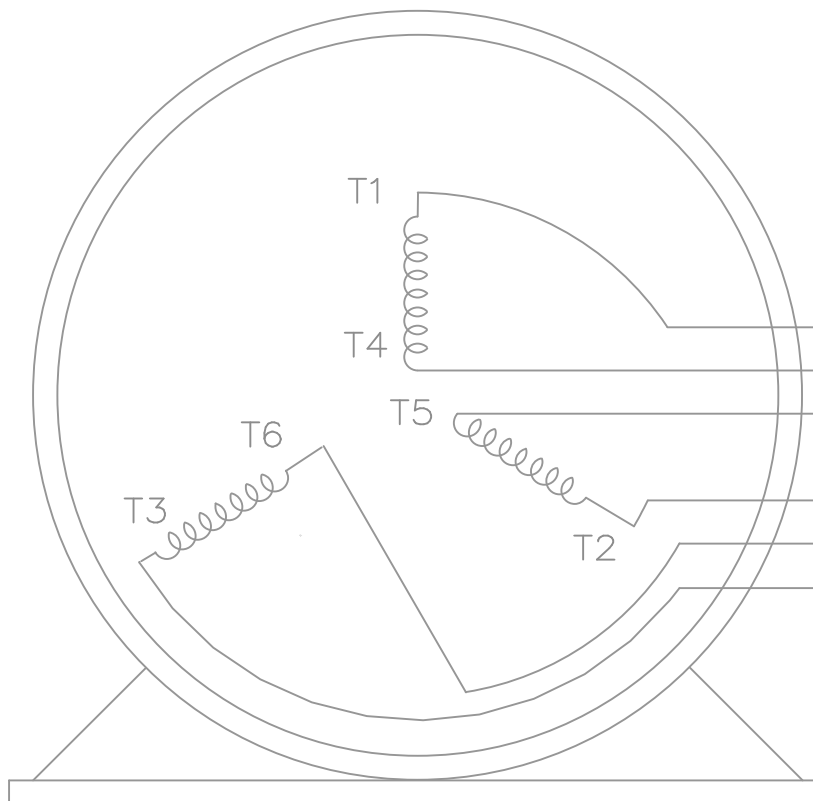
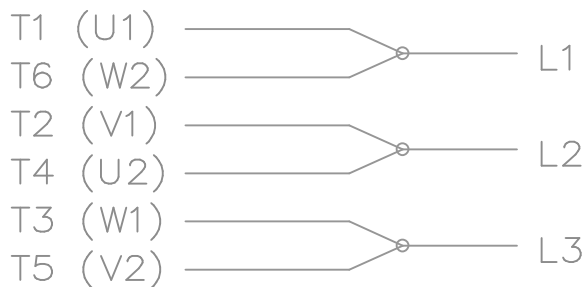
174  
/hyphen  
173  
/logicalnot  
172  
/guillemotleft  
171  
/ordfeminine  
170  
/copyright  
169  
/dieresis  
168  
/section  
167  
/brokenbar  
166  
/yen  
165  
/currency  
164  
/exclamdown  
161  
/space  
160  
/Ydieresis  
159  
/oe  
156  
/guilsinglright  
155  
/scaron  
154  
/trademark  
153  
/tilde  
152  
/emdash  
151  
/endash  
150  
/bullet  
149  
/quotedblright  
148  
/quotedblleft  
147  
/quoteright  
146  
/quoteleft  
145  
/OE  
140  
/guilsinglleft  
139  
/Scaron  
138  
/perthousand  
137  
/circumflex  
136  
/daggerdbl  
135  
/dagger  
134  
/ellipsis  
133  
/quotedblbase

THREE PHASE – Y START  
Δ RUN MOTOR

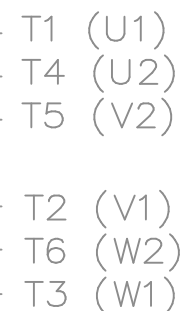
START



RUN




VIEW OF TERMINAL END



T6CK  
T6BM  
T4CC  
T2DL  
T4C

NOTE:  
IEC LEAD MARKINGS ARE NOTED  
IN PARENTHESES

			TOLERANCES UNLESS SPECIFIED			DRAWN BLR 10-04-1999			
			DEC.	INCHES		CHK DRS 10-04-1999			
			.X	±.1		APPD TB 10-04-1999			
3	REVISED TO MATCH M.E. ORIGINAL	TAT 07-25-2005	ML	.XX	±.02	TITLE CONNECTION DIAGRAM 3Ø – WYE START DELTA RUN	SCALE 1=1		
2	REVISED DRAWING MISTAKE CN 29200-2980	ERH 05-15-2003	ML	.XXX	±.005		REF		
1	NEW DRAWING	BLR 10-09-1999		.XXXX	±.0005	MAT'L.	FMF		
NO.	REVISION	BY & DATE	CHK	ANG	±7'30"	FINISH	PREV		
THIS DRAWING IN DESIGN AND DETAIL IS OUR PROPERTY AND MUST NOT BE USED EXCEPT IN CONNECTION WITH OUR WORK ALL RIGHTS OF DESIGN AND INVENTION ARE RESERVED THIS IS AN ELECTRONICALLY GENERATED DOCUMENT – DO NOT SCALE THIS PRINT			RFP	CAD FILE ee7340_In		SIZE A	DRAWING NO. EE7340-LN	PAGE OF 3	REV. 3
			DIST	WA-LB-SB					