

PRODUCT INFORMATION PACKET



Model No: LM24194

Catalog No: LM24194

General Purpose Motor, 7.50 & 7.50 HP, 3 Ph, 60 & 50 Hz, 230/460 & 190-208/380-415 V,
1800 & 1500 RPM, 213T Frame, DP



Regal and Leeson are trademarks of Regal Rexnord Corporation or one of its affiliated companies.

©2023 Regal Rexnord Corporation, All Rights Reserved. MC017097E





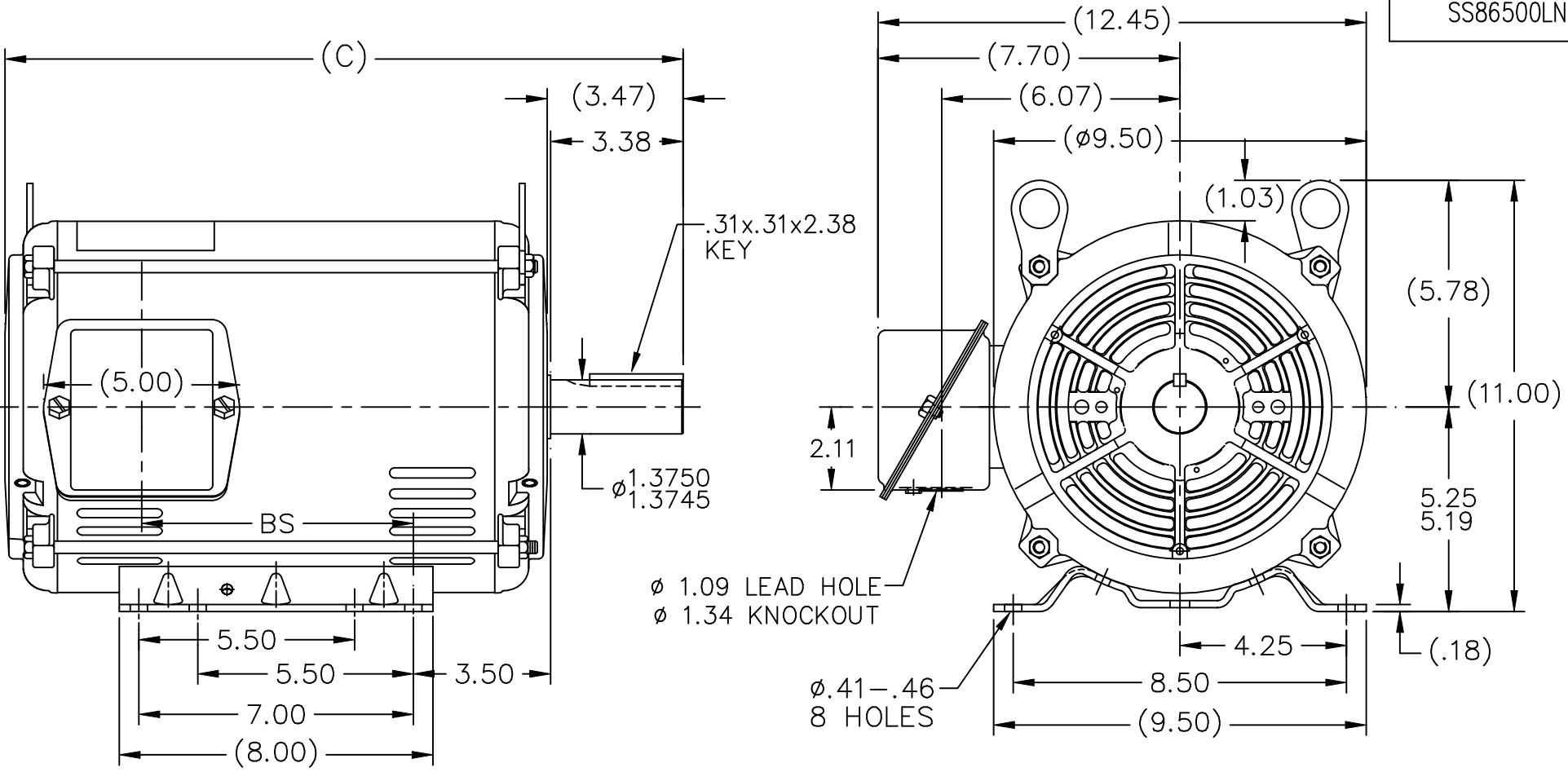
Nameplate Specifications

Phase	3	Output HP	7.50 & 7.50 Hp
Output KW	5.6 & 5.6 kW	Voltage	230/460 & 190-208/380-415 V
Speed	1760 & 1455 rpm	Service Factor	1.25 & 1.15
Frame	213T	Enclosure	Drip Proof
Thermal Protection	No Protection	Efficiency	91 & 90.2 %
Ambient Temperature	40 °C	Frequency	60 & 50 Hz
Current	19.2/9.6 & 23-21.4/11.5-10.7 A	Power Factor	80
Duty	Continuous	Insulation Class	F
Design Code	B	KVA Code	H
Drive End Bearing Size	307	Opp Drive End Bearing Size	206
UL	Recognized	CSA	Y
CE	Y	IP Code	22
Number of Speeds	1		

Technical Specifications

Electrical Type	Squirrel Cage Induction Run	Starting Method	Across The Line
Poles	4	Rotation	Reversible
Resistance Main	1.18 Ohms	Mounting	Rigid Base
Motor Orientation	Horizontal	Drive End Bearing	Ball
Opp Drive End Bearing	Ball	Frame Material	Rolled Steel
Shaft Type	T	Overall Length	18.54 in
Frame Length	12.40 in	Shaft Diameter	1.375 in
Shaft Extension	3.38 in	Assembly/Box Mounting	F1 ONLY
Outline Drawing	A-SS86500LN-1240	Connection Drawing	A-EE7308-LN

SS86500LN



- NOTES:
1. NAMEPLATE TO BE READ FROM C'BOX SIDE OF MOTOR.
 2. BOX CAN BE MOUNTED IN 90° STEPS.
 3. BOX WILL BE AT OPPOSITE SIDES IN F2 MOUNTING.
 4. BOX CAN BE MOUNTED ON OPPOSITE SIDE BY REMOVING BRACKETS AND TURNING FRAME 180°. (EXCEPT AS NOTED.)

DASH	FR.	C	BS	MOUNTING
965	213T	15.79	5.43	
1115	213/15T	17.29	6.93	
1240	213/15T	18.54	8.18	F1 ONLY

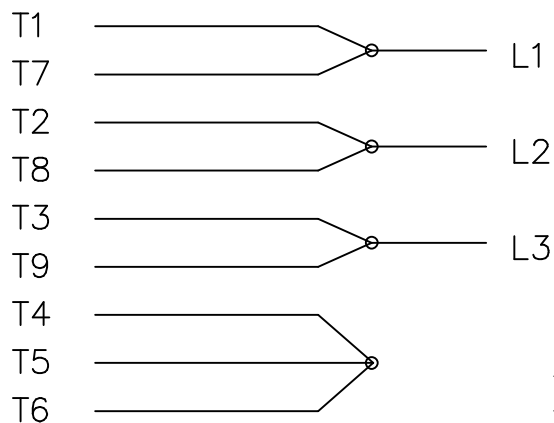
NO.		REVISION	BY & DATE	CHK	ANG	TOLERANCES UNLESS SPECIFIED	Lincoln MOTORS		DRAWN TRB 07-14-1999
5		REISSUE - REVISED BORDER TO LINCOLN LOGO	MSG 11-04-2004	ML	DEC.	INCHES	TITLE OUTLINE 210T FRAME -BB -TS -DR.PR. MAT'L. FINISH		CHK ML 07-20-1999
4		REMOVED DASH 965 FROM SERIES CN38252	RWR 07-20-2004	ML	.X	±.1			APPD GK 07-20-1999
3		UPDATED 'C' DIMS PER ACTUAL PARTS CN29200-320	CAV 04-11-2000	ML	.XX	±.03			SCALE 1=4
2		UPDATED 'C'BOX GEOMETRY CN28425	DRS 01-25-2000	ML	.XXX	±.005			REF
1		NEW DRAWING	TRB 07-20-1999	ML	.XXXX	±.0005			FMF
				RFP		CAD FILE ss86500ln	SIZE A	DRAWING NO. SS86500LN	PAGE 1 OF 1
				DIST LB				REV. 5	

THREE PHASE
DUAL VOLTAGE MOTOR

HIGH VOLTAGE



LOW VOLTAGE



REF.
WINDING DIAGRAM

T8Y, T2Y, T2BL, T4BX, T2EC, T2G
T6BZ, T2B, T6BL, T4AV, T6B, T4B

OPTIONAL CORD
CONNECTION

L1 WHITE
L2 RED
L3 BLACK

NO.	REVISION	BY & DATE	CHK	TOLERANCES UNLESS SPECIFIED		FINISH	DRAWN	ML	GK	SCALE	PAGE	OF	REV.
				DEC.	INCHES								
				.X	±.1		BLR	ML	GK	1=1			
3	ADDED THE OPTIONAL CORD CONNECTION MU46318	RDH 04/24/2003	DRS	.XX	±.02	TITLE CONNECTION DIAGRAM							
2	RE-ISSUE, ADDED '-' TO PART NUMBER	BLR 08/09/1999	GK	.XXX	±.005	3∅ - DUAL VOLTAGE MOTOR							
1	NEW DRAWING	BLR 06/18/1999	GK	.XXXX	±.0005	MAT'L.							
				ANG	±7'30"								
			RFP			CAD FILE EE7308LN	SIZE	DRAWING NO.	PAGE	OF			
			DIST	WP			A	EE7308-LN					3



APPD 06/18/1999

THIS DRAWING IN DESIGN AND DETAIL IS OUR PROPERTY AND MUST NOT BE USED EXCEPT IN CONNECTION WITH OUR WORK ALL RIGHTS OF DESIGN AND INVENTION ARE RESERVED THIS IS AN ELECTRONICALLY GENERATED DOCUMENT - DO NOT SCALE THIS PRINT



2100 WASHINGTON ST.
GRAFTON, WI
PH. 262-277-8810

CONN. DIAGRAM: A-EE7308-LN

OUTLINE: A-SS86500LN-1240

CATALOG #: LM24194

WINDING #: K2134182 2

MOUNTING: F1 ONLY

TYPICAL MOTOR PERFORMANCE DATA

HP	kW	SYNC. RPM	F.L. RPM	FRAME	ENCLOSURE	KVA CODE	DESIGN
7 1/2 & 7 1/2	5.60 & 5.60	1800	1760 & 1455	213T	DP	H	B

PH	Hz	VOLTS	AMPS	START TYPE	DUTY	INSL	S.F.	AMB° C
3	60/50	230/460 & 190-208/380-415	19.2/9.6 & 23-21.4/11.5-10.7	ACROSS THE LINE	CONTINUOUS	F4	1.25/1.15	40

FULL LOAD EFF:	91 & 90.2	3/4 LOAD EFF:	91	1/2 LOAD EFF:	89.7	GTD. EFF	89.5	ELEC. TYPE	SQ CAGE IND RUN
FULL LOAD PF:	80 & 82	3/4 LOAD PF:	75	1/2 LOAD PF:	64.8				

F.L. TORQUE	LOCKED ROTOR AMPS	L.R. TORQUE	B.D. TORQUE	F.L. RISE °C
22.5 LB-FT	127 / 63.5	51 LB-FT 227 %	66 LB-FT 293 %	22

SOUND PRESSURE @ 3 FT.	SOUND POWER	ROTOR WK^2	MAX. WK^2	SAFE STALL TIME	STARTS / HOUR	APPROX. MOTOR WGT
66 dBA	76 dBA	0.85 LB-FT^2	50 LB-FT^2	20 SEC.	2	125 LBS.

*** SUPPLEMENTAL INFORMATION ***

DE BRACKET TYPE	ODE BRACKET TYPE	MOUNT TYPE	ORIENTATION	SEVERE DUTY	HAZARDOUS LOCATION	DRIP COVER	SCREENS	PAINT
STANDARD	STANDARD	RIGID	HORIZONTAL	FALSE	NONE	FALSE	NONE	GRAY - LINCOLN

BEARINGS		GREASE	SHAFT TYPE	SPECIAL DE	SPECIAL ODE	SHAFT MATERIAL	FRAME MATERIAL
DE	ODE						
BALL	BALL	POLYREX EM	T	NONE	NONE	AISI 1045 (C-240)	ROLLED STEEL
307	206						

THERMO-PROTECTORS				THERMISTORS	CONTROL	SPACE HEATERS
THERMOSTATS	PROTECTORS	WDG RTDs	BRG RTDs			
NONE	NOT	NONE	NONE	NONE	FALSE	NONE VOLTS

*
N
O
T
E
S

INVERTER TORQUE: NONE
INV. HP SPEED RANGE: NONE
ENCODER: NONE NONE NONE NONE NONE PPR
BRAKE: NONE NONE NONE P/N NONE NONE NONE FT-LB NONE V NONE Hz

Data Sheet

Date: 1/19/2018

LM24194



Data @ 460 V

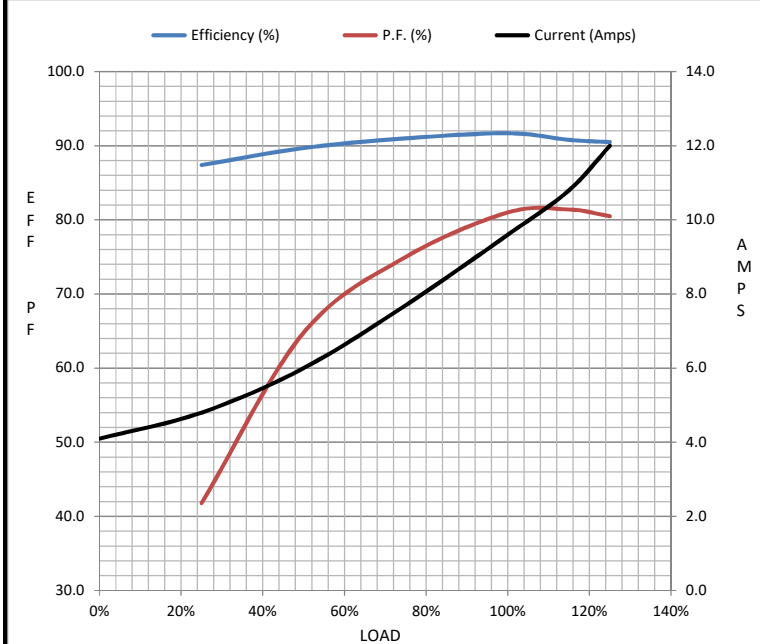
Motor Load Data

Load	0%	25%	50%	75%	100%	115%	125%	LR
Current (Amps)	4.1	4.8	6.0	7.7	9.6	10.8	12.0	63.5
Torque (ft-lb)	0.00	5.5	11.0	16.6	22.5	25.5	28.0	51.0
RPM	1800	1790	1780	1775	1760	1.755	1752	0
Efficiency (%)		87.4	89.7	91.0	91.7	90.8	90.5	
P.F. (%)	6.5	41.8	64.8	75.0	81.0	81.4	80.5	39.5

Motor Speed Data

	LR	Pull-Up	BD	Rated	Idle
Speed (RPM)	0	700	1605	1760	1800
Current (Amps)	63.5	55.0	37.5	9.6	4.1
Torque (ft-lb)	51.0	40.0	66.0	22.5	0.00

Information Block				
HP	7.5			
Sync. RPM	1800			
Frame	213			
Enclosure	DP			
Construction	TDW			
Voltage	230/460#190-208/380-415 V			
Frequency	60 Hz			
Design	B			
LR Code letter	H			
Service Factor	1.15			
Temp Rise @ FL	22 °C			
Duty	CONT			
Ambient	40 °C			
Elevation	1,000 feet			
Rotor/Shaft wk ²	0.85 Lb-Ft ²			
Ref Wdg	K2134182 NONE			
Sound Pressure @ 1M	66 dBA			
VFD Rating	NONE			
Outline Dwg	A-SS86500LN-1240			
Conn. Diag	A-EE7308-LN			
Additional Specifications:				
0				
0				
EQUIV CKT (OHMS / PHASE)				
R1	R2	X1	X2	Xm
0.7600	0.5590	2.6080	3.6970	57.4560



Speed - Torque Curve

