

PRODUCT INFORMATION PACKET



Model No: LM23802

Catalog No: LM23802

OBSOLETE - REPLACED BY LM21849 - 10,1200,TEFC,284U,3/60/460

Regal and Leeson are trademarks of Regal Rexnord Corporation or one of its affiliated companies.

©2023 Regal Rexnord Corporation, All Rights Reserved. MC017097E





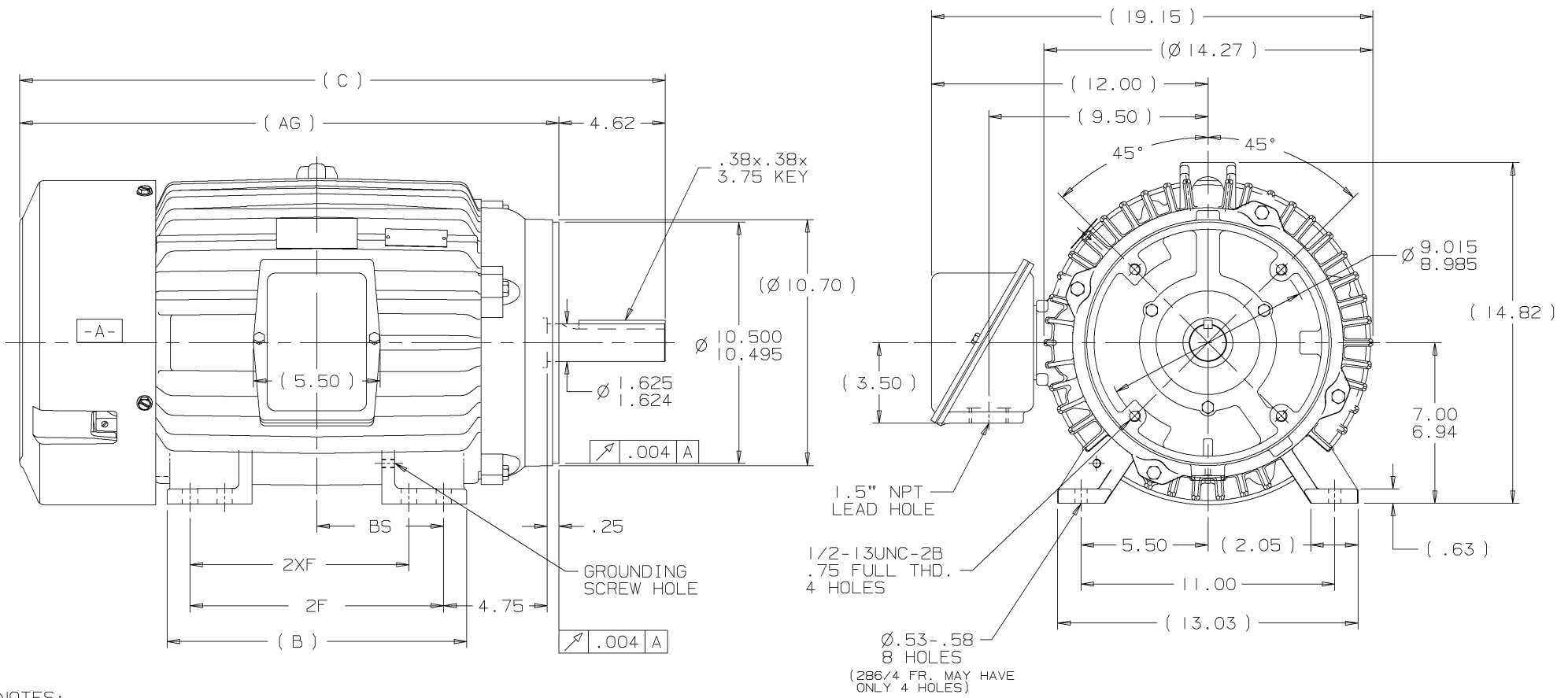
Nameplate Specifications

Phase	3	Output HP	10 Hp
Output KW	7.46 kW	Voltage	460 V
Speed	1176 rpm	Service Factor	1
Frame	284UC	Enclosure	Totally Enclosed Fan Cooled
Thermal Protection	No Protection	Efficiency	89.5 %
Ambient Temperature	65 °C	Frequency	60 Hz
Current	13.1 A	Power Factor	79
Duty	Continuous	Insulation Class	F
Design Code	B	KVA Code	H
Drive End Bearing Size	311	Opp Drive End Bearing Size	210
UL	Recognized	CSA	Y
CE	Y	IP Code	43
Number of Speeds	1		

Technical Specifications


Electrical Type	Squirrel Cage Induction Run	Starting Method	Across The Line
Poles	6	Rotation	Reversible
Resistance Main	.934 Ohms	Mounting	Rigid Base
Motor Orientation	Horizontal	Drive End Bearing	Ball
Opp Drive End Bearing	Ball	Frame Material	Cast Iron
Shaft Type	U	Assembly/Box Mounting	F1/F2 CAPABLE
Outline Drawing	B-SS311145LN-1275	Connection Drawing	A-EE7300-LN

This is an uncontrolled document once printed or downloaded and is subject to change without notice. Date Created:06/06/2023



- NOTES:
1. CONDUIT BOX CAN BE ROTATED IN 90° STEPS.
 2. CONDUIT BOX CAN BE MOUNTED ON OPPOSITE SIDE BY REMOVING BRACKETS AND TURNING FRAME 180°.
 3. NAMEPLATE TO BE READ FROM CONDUIT BOX SIDE OF MOTOR.

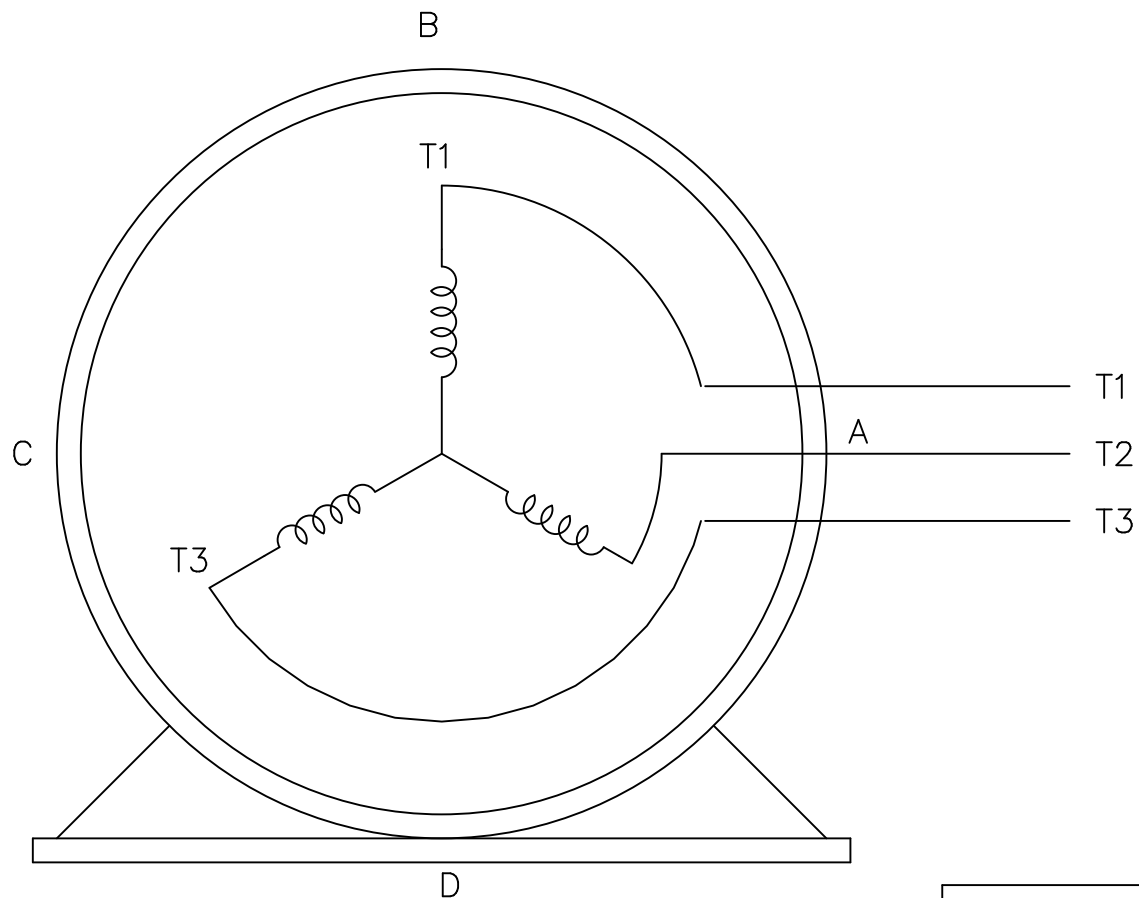
(B-SS311055)

								TOLERANCES UNLESS SPECIFIED				DRAWN DAH 08-06-2001	
								DEC.	TOLERANCE			CHK ML 08-06-2001	APPD BW 08-06-2001
								.X	± .1	TITLE OUTLINE		SCALE .23 = 1	
3 REVISED 2XF DIM. LOCATION CN 27451 MSG 01-23-2002 ML .XX ± .03								TITLE OUTLINE		SCALE .23 = 1			
2 REVISED FOOT MOUNTING HOLE NOTE. CN 27451 NJS 01-10-2002 ML .XXX ± .005								TITLE OUTLINE		SCALE .23 = 1			
1 NEW DRAWING MU38464 DAH 08-06-2001 ML .XXXX ± .0005								TITLE OUTLINE		SCALE .23 = 1			
DASH	FRAME	B	C	AG	2F	2XF	BS	MAT'L.		REF			
1275	284UC	11.50	26.52	21.90	9.50		4.75	FINISH		FMF			
1425	286UC	13.00	28.02	23.40	11.00	9.50	5.50	PREV		PREV			
NO. REVISION BY DATE THIS DRAWING IN DESIGN AND DETAIL IS OUR PROPERTY AND MUST NOT BE USE EXCEPT IN CONNECTION WITH OUR WORK. ALL RIGHTS OF DESIGN AND INVENTION ARE RESERVED. THIS IS AND ELECTRONICALLY GENERATED DOCUMENT - DO NOT SCALE THIS PRINT								PURCHASED DIST WA - LB - WP - LM - BR - BY		CAD FILE 55311145LN SIZE B		DRAWING NO. SS311145LN REV. 3	

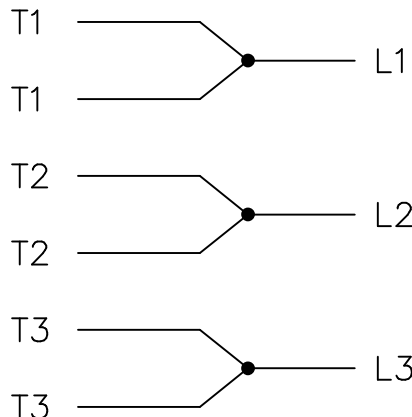
THREE PHASE – SINGLE VOLTAGE
MOTOR – CONDUIT BOX @ 'A'

EE7300-LN

TO REVERSE ROTATION:
INTERCHANGE ANY TWO LINE
LEAD CONNECTIONS




IF MOTOR HAS
6 LEADS



A-9806 DECAL

OPTIONAL CORD
CONNECTION

L1 WHITE
L2 RED
L3 BLACK

				TOLERANCES UNLESS SPECIFIED			DRAWN BLR 08-13-1999		
				DEC.	INCHES		CHK ML 08-13-1999		
				.X	±.1		APPD GK 08-13-1999		
				.XX	±.02		SCALE 1=1		
2	ADDED OPTIONAL CORD CONNECTION PER MU47226	CTO 03-31-2004	PJB	.XXX	±.005	TITLE CONNECTION DIAGRAM SINGLE VOLT – 3Ø MOTOR	REF		
1	NEW DRAWING	CTO 08-13-1999		.XXXX	±.0005		MAT'L.	FMF	
NO.	REVISION	BY & DATE	CHK	ANG	±7'30"	FINISH	PREV		
THIS DRAWING IN DESIGN AND DETAIL IS OUR PROPERTY AND MUST NOT BE USED EXCEPT IN CONNECTION WITH OUR WORK ALL RIGHTS OF DESIGN AND INVENTION ARE RESERVED THIS IS AN ELECTRONICALLY GENERATED DOCUMENT – DO NOT SCALE THIS PRINT				RFP	CAD FILE EE7300_LN		SIZE	DRAWING NO. PAGE OF	REV.
				DIST WP			A	EE7300-LN	2

EC Declaration of Conformity

The undersigned representing
the manufacturer:

Regal Beloit America
100 East Randolph St.
Wausau, WI 54401

and the authorized representative
established within the Community:

Marathon Electric UK
6F Thistleton Road Ind. Estate
Market Overton
Oakham, Rutland LE15 7PP UK

are committed to providing customers with products that comply with applicable regulations and international protocols to which they are subject, including the requirements of the European Parliament Directive on the Harmonization of the laws relating to electrical equipment designed for use within certain voltage limits (2014/35/EU).

Regal Beloit America declares that the following product(s), to which this declaration relates, are in conformity with the relevant sections of the EC standards listed below.

This statement supersedes any statements previously issued pertaining to the product(s) listed below and is subject to change without notice.

Model No : LM23802

(Model No. may contain prefix and/or suffix characters)

Catalog No : LM23802

Rework No : N/A

Directives :

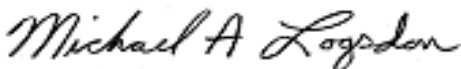
Low Voltage Directive 2014/35/EU

Harmonized Standards Used :

EN 60034-1: 2010 (IEC 60034-1: 2010)

EN 60034-5: 2001/A1:2007 (IEC 60034-5: 2000/A1:2006)

Authorized Representative:



Michael A. Logsdon
Vice President, Technology

Authorized Representative in the Community:



Julian Clark
Marketing Engineer

Created on 02/03/2023

CE 23