

PRODUCT INFORMATION PACKET



Model No: LM23779

Catalog No: LM23779

OBSOLETE REPLACED BY LM21843 - 7.5,1800,TEFC,254UC,3/60/460

Regal and Leeson are trademarks of Regal Rexnord Corporation or one of its affiliated companies.

©2023 Regal Rexnord Corporation, All Rights Reserved. MC017097E





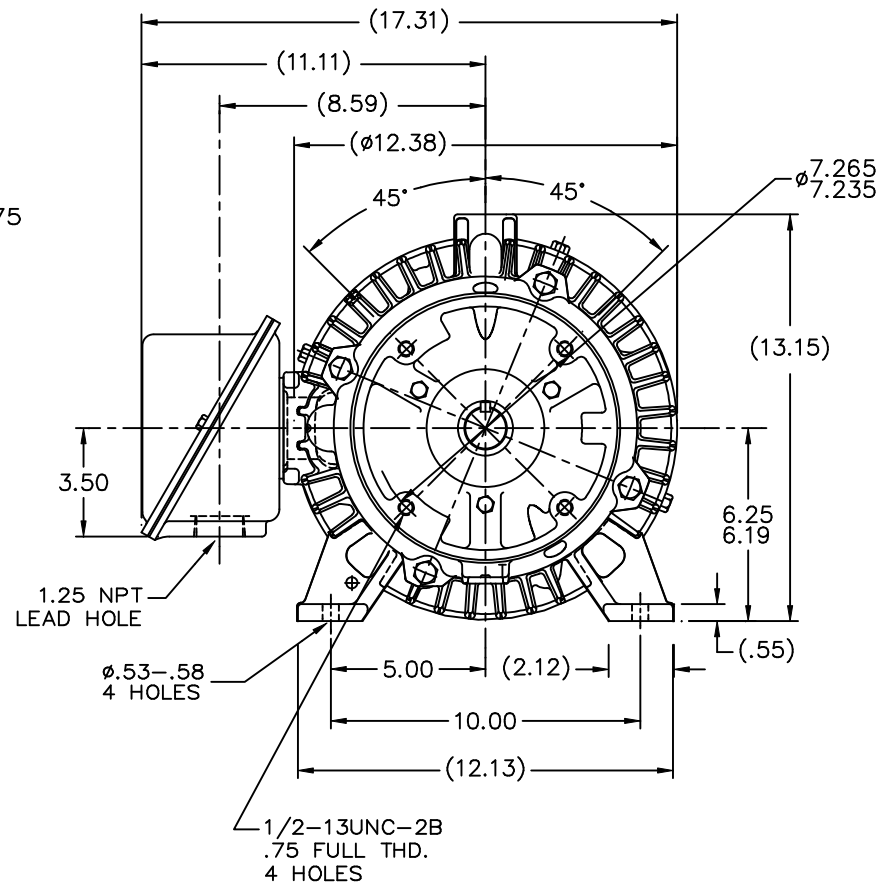
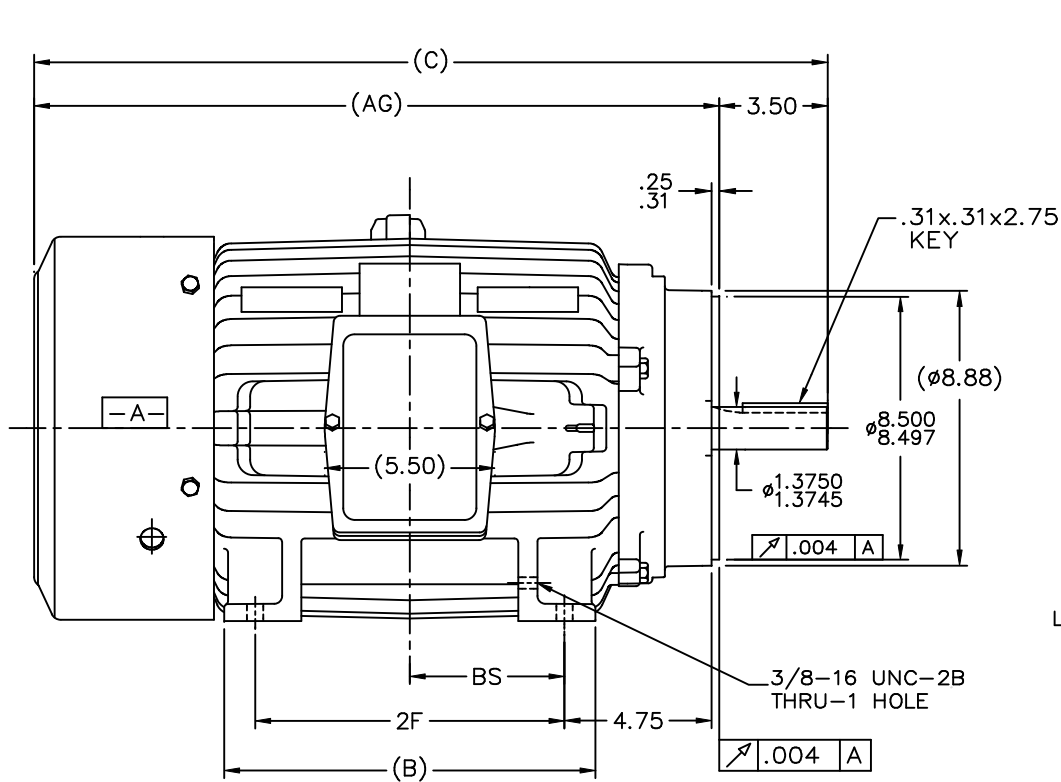
Nameplate Specifications

Phase	3	Output HP	7.50 Hp
Output KW	5.595 kW	Voltage	460 V
Speed	1770 rpm	Service Factor	1
Frame	254UC	Enclosure	Totally Enclosed Fan Cooled
Thermal Protection	No Protection	Efficiency	90.2 %
Ambient Temperature	65 °C	Frequency	60 Hz
Current	9.6 A	Power Factor	80
Duty	Continuous	Insulation Class	F
Design Code	B	KVA Code	H
Drive End Bearing Size	309	Opp Drive End Bearing Size	207
UL	No	CSA	Y
CE	Y	IP Code	43
Number of Speeds	1		

Technical Specifications

Electrical Type	Squirrel Cage Induction Run	Starting Method	Across The Line
Poles	4	Rotation	Reversible
Resistance Main	1.17 Ohms	Mounting	Rigid Base
Motor Orientation	Horizontal	Drive End Bearing	Ball
Opp Drive End Bearing	Ball	Frame Material	Cast Iron
Shaft Type	U	Assembly/Box Mounting	F1/F2 CAPABLE
Outline Drawing	B-SS203586LN-1175	Connection Drawing	A-EE7300-LN

This is an uncontrolled document once printed or downloaded and is subject to change without notice. Date Created:06/06/2023



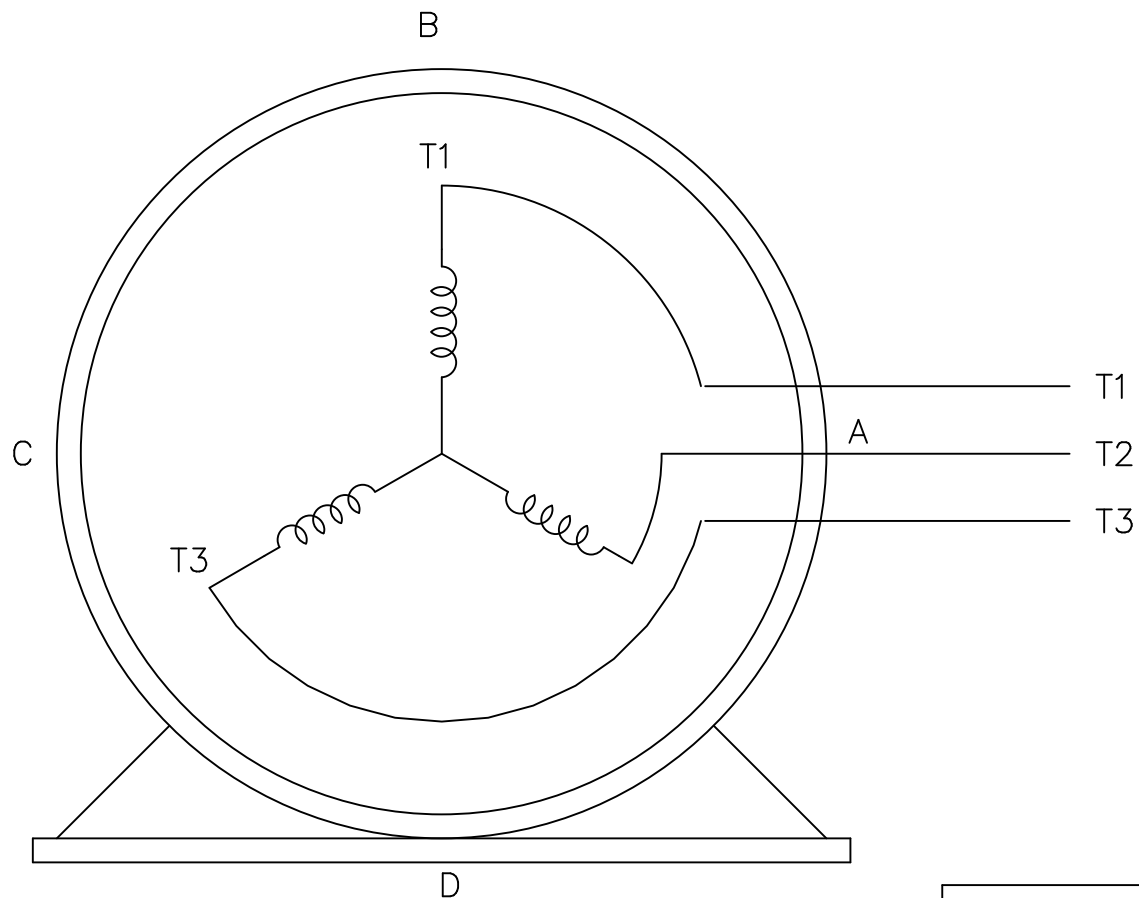
- NOTES:
 1. C.BOX CAN BE ROTATED IN 90° STEPS
 2. C.BOX CAN BE MOUNTED ON OPPOSITE SIDE BY REMOVING BRACKETS AND TURNING FRAME 180°
 3. NAMEPLATES TO BE READ FROM CONDUIT BOX SIDE OF MOTOR

							TOLERANCES UNLESS SPECIFIED		Lincoln MOTOR		DRAWN BJV 8/22/00			
							DEC.	INCHES			CHK	ML 8/23/00		
							.X	±.1			APPD	TB 8/23/00		
3 CHANGED TO LINCOLN TITLE BLOCK							JMS	02/07/2005	.XX	±.03	TITLE OUTLINE - TEFC -250U FR.		SCALE	1=4
2 CHG., KEY LENGTH F-2.50 T-2.75 CN29100-4187							RWR	08-09-2004	ML	.XXX	±.005	-BB -TS -STD.-C'FACE CAST C. BOX		REF
1 NEW DRAWING MU32889							BJW	08-23-2000	ML	.XXXX	±.0005	MAT'L		FMF
NO. REVISION							BY & DATE		CHK	ANG	±7'30"	FINISH		PREV
1175 254U 10.25 23.89 8.25 4.12 20.39							THIS DRAWING IN DESIGN AND DETAIL IS OUR PROPERTY AND MUST NOT BE USED EXCEPT IN CONNECTION WITH OUR WORK ALL RIGHTS OF DESIGN AND INVENTION ARE RESERVED THIS IS AN ELECTRONICALLY GENERATED DOCUMENT - DO NOT SCALE THIS PRINT		RFP	CAD FILE ss203586ln		SIZE	DRAWING NO. PAGE 1 OF 1 REV.	
1350 256U 12.00 25.64 10.00 5.00 22.14									DIST	LB	B		SS203586LN 3	

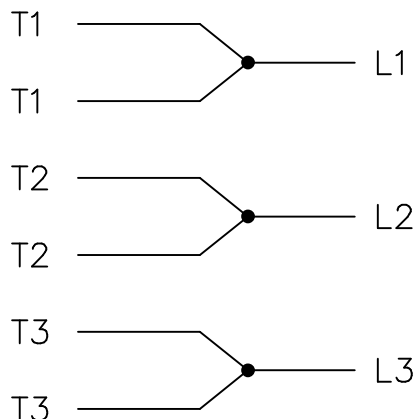
THREE PHASE – SINGLE VOLTAGE
MOTOR – CONDUIT BOX @ 'A'

EE7300-LN

TO REVERSE ROTATION:
INTERCHANGE ANY TWO LINE
LEAD CONNECTIONS




IF MOTOR HAS
6 LEADS



A-9806 DECAL

OPTIONAL CORD
CONNECTION

L1 WHITE
L2 RED
L3 BLACK

				TOLERANCES UNLESS SPECIFIED			DRAWN BLR 08-13-1999		
				DEC.	INCHES		CHK ML 08-13-1999		
				.X	±.1		APPD GK 08-13-1999		
				.XX	±.02		SCALE 1=1		
2	ADDED OPTIONAL CORD CONNECTION PER MU47226	CTO 03-31-2004	PJB	.XXX	±.005	TITLE CONNECTION DIAGRAM SINGLE VOLT – 3Ø MOTOR	REF		
1	NEW DRAWING	CTO 08-13-1999		.XXXX	±.0005		MAT'L.	FMF	
NO.	REVISION	BY & DATE	CHK	ANG	±7'30"	FINISH	PREV		
THIS DRAWING IN DESIGN AND DETAIL IS OUR PROPERTY AND MUST NOT BE USED EXCEPT IN CONNECTION WITH OUR WORK ALL RIGHTS OF DESIGN AND INVENTION ARE RESERVED THIS IS AN ELECTRONICALLY GENERATED DOCUMENT – DO NOT SCALE THIS PRINT				RFP	CAD FILE EE7300_LN		SIZE	DRAWING NO. PAGE OF	REV.
				DIST WP			A	EE7300-LN	2

EC Declaration of Conformity

The undersigned representing
the manufacturer:

Regal Beloit America
100 East Randolph St.
Wausau, WI 54401

and the authorized representative
established within the Community:

Marathon Electric UK
6F Thistleton Road Ind. Estate
Market Overton
Oakham, Rutland LE15 7PP UK

are committed to providing customers with products that comply with applicable regulations and international protocols to which they are subject, including the requirements of the European Parliament Directive on the Harmonization of the laws relating to electrical equipment designed for use within certain voltage limits (2014/35/EU).

Regal Beloit America declares that the following product(s), to which this declaration relates, are in conformity with the relevant sections of the EC standards listed below.

This statement supersedes any statements previously issued pertaining to the product(s) listed below and is subject to change without notice.

Model No : LM23779

(Model No. may contain prefix and/or suffix characters)

Catalog No : LM23779

Rework No : N/A

Directives :

Low Voltage Directive 2014/35/EU

Harmonized Standards Used :

EN 60034-1: 2010 (IEC 60034-1: 2010)

EN 60034-5: 2001/A1:2007 (IEC 60034-5: 2000/A1:2006)

Authorized Representative:



Michael A. Logsdon
Vice President, Technology

Authorized Representative in the Community:



Julian Clark
Marketing Engineer

Created on 09/01/2022

CE 22