

PRODUCT INFORMATION PACKET

Model No: LM23698
Catalog No: LM23698
405T TEFC 100HP1800 460000000/360

Regal and are trademarks of Regal Rexnord Corporation or one of its affiliated companies.
©2022 Regal Rexnord Corporation, All Rights Reserved. MC017097E



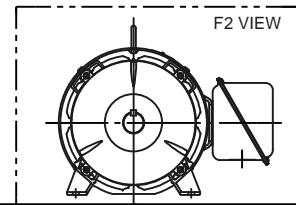
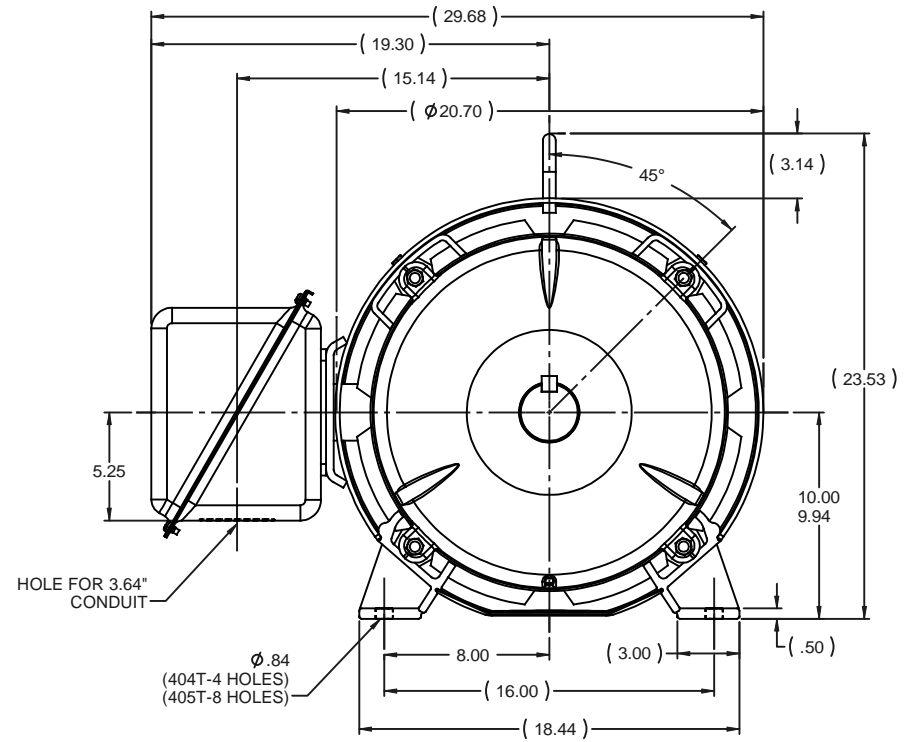
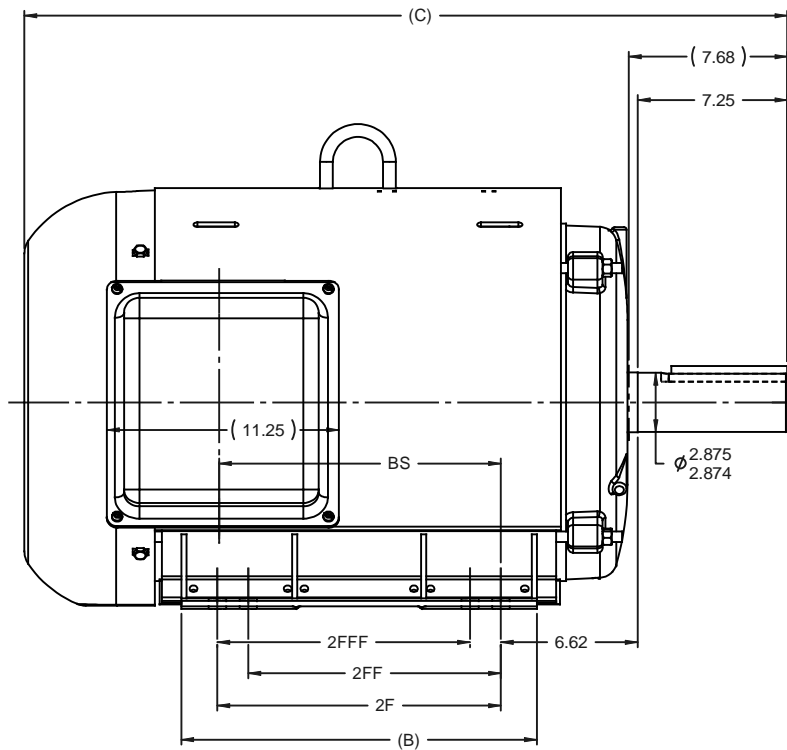
Nameplate Specifications

Output HP	100 Hp	Output KW	75.0 kW
Frequency	60 Hz	Voltage	460 V
Current	118.0 A	Speed	1783 rpm
Service Factor	1.15	Phase	3
Efficiency	95.4 %	Power Factor	83
Duty	Continuous	Insulation Class	F
Design Code	B	KVA Code	G
Frame	405T	Enclosure	Totally Enclosed Fan Cooled
Thermal Protection	No Protection	Ambient Temperature	40 °C
Drive End Bearing Size	6315	Opp Drive End Bearing Size	6313
UL	Recognized	CSA	Y
CE	Y	IP Code	43
Number of Speeds	1		

Technical Specifications

Electrical Type	Squirrel Cage Induction Run	Starting Method	Part Wdg Start & Wye Start Delta Run
Poles	4	Rotation	Reversible
Resistance Main	.049 Ohms	Mounting	Rigid Base
Motor Orientation	Horizontal	Drive End Bearing	Ball
Opp Drive End Bearing	Ball	Frame Material	Rolled Steel
Shaft Type	T	Shaft Diameter	2.875 in
Assembly/Box Mounting	F1 ONLY		
Outline Drawing	XJ2F1SS1-1946	Connection Drawing	A-EE7300BH-LN

This is an uncontrolled document once printed or downloaded and is subject to change without notice. Date Created:10/10/2022

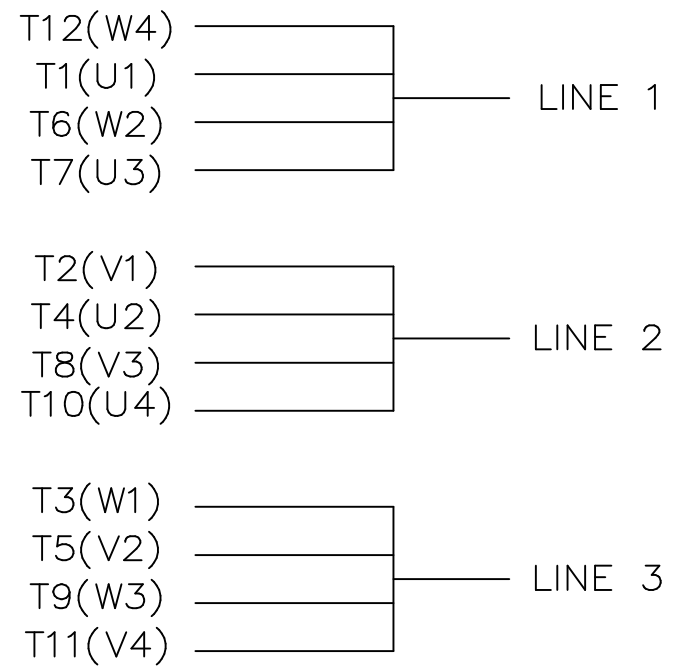
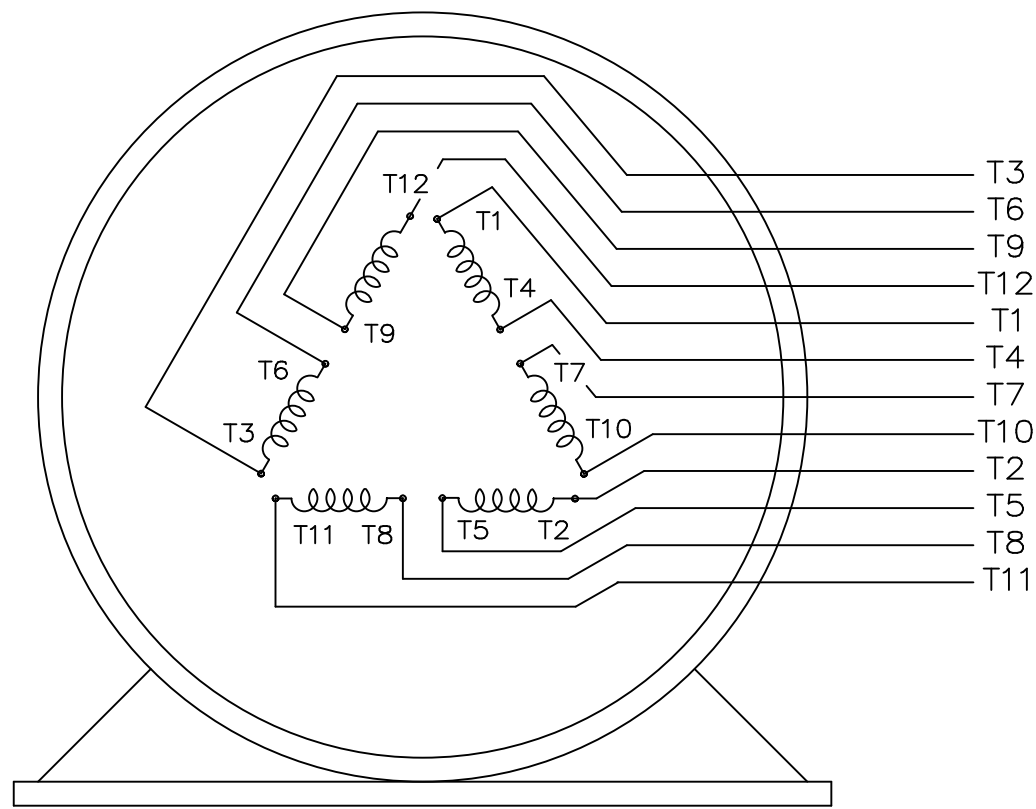


NOTES:
 1. CONDUIT BOX CAN BE ROTATED IN 90° STEPS.
 2. NAMEPLATES TO BE READ FROM CONDUIT BOX SIDE OF MOTOR.


DASH	FRAME	B	C	2F	2FF	2FFF	BS
1796	404T	15.75	36.90	12.25	--	--	12.17
1946	405T	17.25	38.40	13.75	12.25	12.25	13.67

REVISION		BY & DATE	CHK	ANG	±7'30"	FINISH	SCALE	PAGE	OF
3	REVISED DIM. TO DESIGN STANDARDS CN29200-2395	NJS 06-05-2002	ML	XX	±.03	TITLE OUTLINE	1:6	1	3
2	DASH 1796 WAS 405T CN34267	TJB 10-19-2001	XXX		±.005	400T FR. - TEFC - UE1			
1	NEW DRAWING CN34267	MSG 09-24-2001	XXXX		±.0005	MATL			

TOLERANCES UNLESS SPECIFIED		DRAWN MSG 09-19-2001	
DEC	INCHES	CHK ML 09-19-2001	
X	±.1	APPR HNH 09-19-2001	
THIRD ANGLE PROJECTION		SCALE 1:6	
RFP 09-19-2001		REF B-XJ2F1SS1ME	
PREV		FMF MU74245	
NETWORK FILE NAME 202211		SIZE B	DRAWING NO XJ2F1SS1
			REV 3



VIEW OF TERMINAL END

				TOLERANCES UNLESS SPECIFIED			DRAWN KL 04-23-2002		
				DEC.	INCHES		CHK DJK 04-24-2002		
				.X	±.1		APPD EAB 04-24-2002		
				.XX	±.01		SCALE 1=1		
2	ADDED IEC TERMINAL MARKINGS	CN 41429	JJB 05/24/2007	OML	.XXX	±.005	TITLE CONNECTION DIAGRAM - EXTERNAL 12 LEAD - SINGLE VOLTAGE		
1	NEW DRAWING	MU41562	KL 04-12-02		.XXXX	±.0005	MAT'L.		
NO.	REVISION		BY & DATE	CHK	ANG	±1/2"	FINISH		
THIS DRAWING IN DESIGN AND DETAIL IS OUR PROPERTY AND MUST NOT BE USED EXCEPT IN CONNECTION WITH OUR WORK ALL RIGHTS OF DESIGN AND INVENTION ARE RESERVED THIS IS AN ELECTRONICALLY GENERATED DOCUMENT - DO NOT SCALE THIS PRINT				RFP	CAD FILE ee7300bh_ln		SIZE	DRAWING NO. PAGE OF	REV.
				DIST	WA-SB		A	EE7300BH-LN 2	2

EC Declaration of Conformity

The undersigned representing
the manufacturer:

Regal Beloit America
100 East Randolph St.
Wausau, WI 54401

and the authorized representative
established within the Community:

Marathon Electric UK
6F Thistleton Road Ind. Estate
Market Overton
Oakham, Rutland LE15 7PP UK

are committed to providing customers with products that comply with applicable regulations and international protocols to which they are subject, including the requirements of the European Parliament Directive on the Harmonization of the laws relating to electrical equipment designed for use within certain voltage limits (2014/35/EU).

Regal Beloit America declares that the following product(s), to which this declaration relates, are in conformity with the relevant sections of the EC standards listed below.

This statement supersedes any statements previously issued pertaining to the product(s) listed below and is subject to change without notice.

Model No : LM23698

(Model No. may contain prefix and/or suffix characters)

Catalog No : LM23698

Rework No : N/A

Directives :

Low Voltage Directive 2014/35/EU

Harmonized Standards Used :

EN 60034-1: 2010 (IEC 60034-1: 2010)

EN 60034-5: 2001/A1:2007 (IEC 60034-5: 2000/A1:2006)

Authorized Representative:



Michael A. Logsdon
Vice President, Technology

Authorized Representative in the Community:



Julian Clark
Marketing Engineer

Created on 09/01/2022

CE 22