

PRODUCT INFORMATION PACKET

Model No: LM21799

Catalog No: LM21799

Automotive Duty Motor, 50 HP, 3 Ph, 60 Hz, 460 V, 3600 RPM, 365U Frame, TEFC



Regal and are trademarks of Regal Rexnord Corporation or one of its affiliated companies.
©2022 Regal Rexnord Corporation, All Rights Reserved. MC017097E

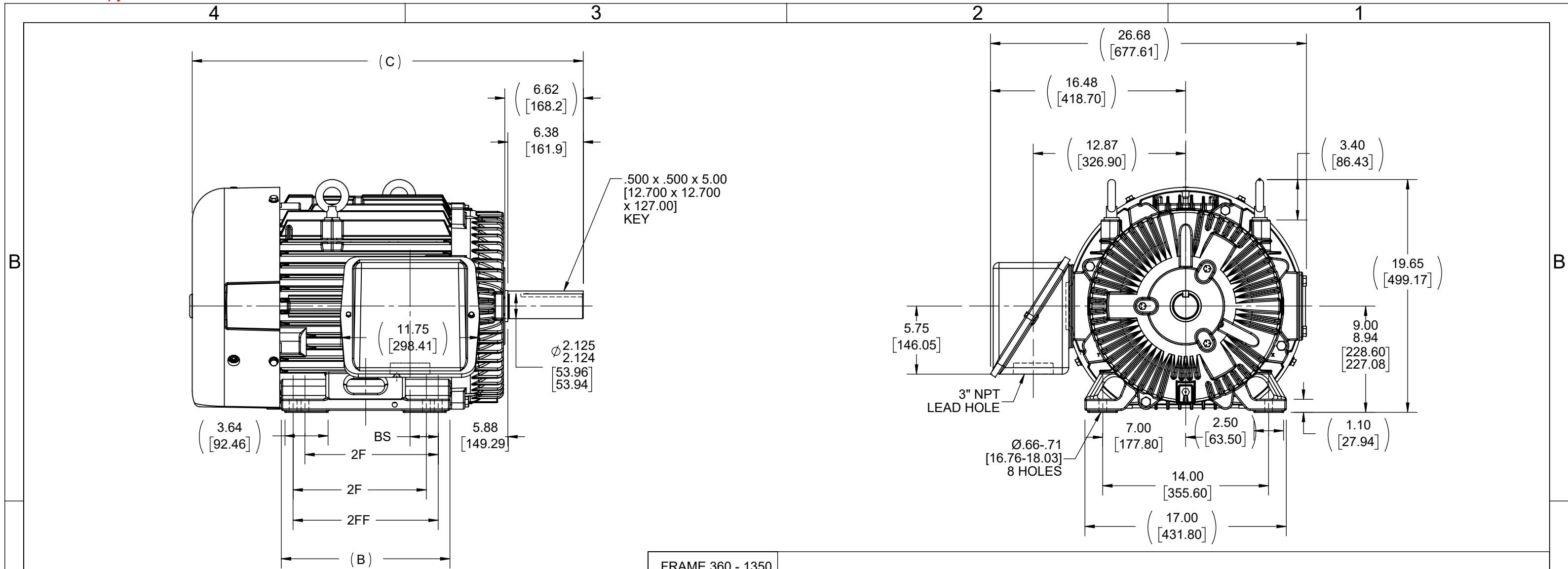
Nameplate Specifications

Output HP	50 Hp	Output KW	37.0 kW
Frequency	60 Hz	Voltage	460 V
Current	56.0 A	Speed	3560 rpm
Service Factor	1	Phase	3
Efficiency	94.1 %	Power Factor	89
Duty	Continuous	Insulation Class	F
Design Code	B	KVA Code	G
Frame	365U	Enclosure	Totally Enclosed Fan Cooled
Thermal Protection	No Protection	Ambient Temperature	65 °C
Drive End Bearing Size	314	Opp Drive End Bearing Size	312
UL	Recognized	CSA	Y
CE	Y	IP Code	55
Number of Speeds	1		

Technical Specifications

Electrical Type	Squirrel Cage Induction Run	Starting Method	Across The Line
Poles	2	Rotation	Reversible
Resistance Main	.105 Ohms	Mounting	Rigid Base
Motor Orientation	Horizontal	Drive End Bearing	Ball
Opp Drive End Bearing	Ball	Frame Material	Cast Iron
Shaft Type	U	Overall Length	33.00 in
Frame Length	14.50 in	Shaft Diameter	2.125 in
Shaft Extension	6.38 in	Assembly/Box Mounting	F1/F2 CAPABLE
Connection Drawing	A-EE7300-LN	Outline Drawing	B-SS518366-1450

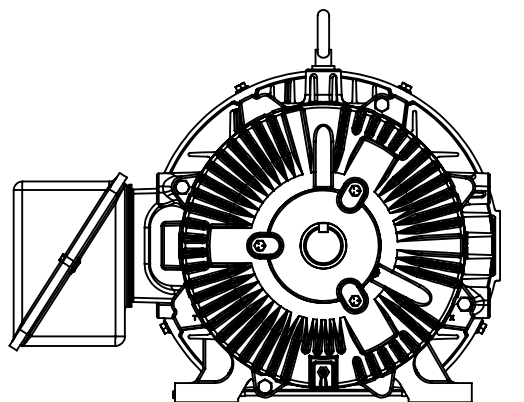
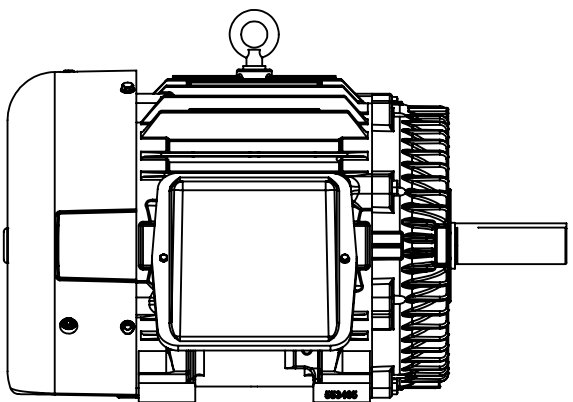
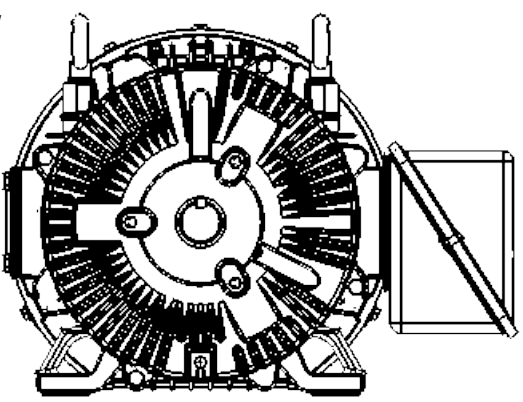
This is an uncontrolled document once printed or downloaded and is subject to change without notice. Date Created:09/07/2022



FRAME 360 - 1350

NOTE:
 1. ALTERNATE FRAME DRAWING.
 2. MODELS USING ALTERNATE FRAME 553485A

F2 VIEW



NOTES:
 1. CONDUIT BOX CAN BE ROTATED IN 90° STEPS.
 2. DIMENSION IN [] DESIGNATE MILLIMETERS.

DASH	FRAME	B	C	2F	2FF	BS
1350	364U	13.25 [336.55]	32.23 [818.642]	11.25 [285.75]	---	5.62 [142.75]
1450	364/365U	14.25 [361.95]	33.23 [844.08]	11.25 [285.75]	12.25 [311.15]	2.38 [60.42]

DRAWING REVISION H	REVISION BY MJ	REV DATE/© DATE 8/9/2022
REQUEST NUMBER CR-0007552	APPROVED BY CHRIS	DATE 8/9/2022
REQUEST NUMBER DESCRIPTION OUTLINE DRAWING IS UPDATED WITH NEW FRAME		
<small>COPYRIGHT (PER REVISION DATE) REGAL BELOIT AMERICA, INC. ALL RIGHTS RESERVED. PROPRIETARY AND CONFIDENTIAL INFORMATION - THIS DOCUMENT IS THE PROPERTY OF REGAL BELOIT AMERICA, INC. ("OWNER") AND CONTAINS OWNER'S PROPRIETARY INFORMATION. ANY PERSON, CORPORATION OR OTHER FIRM RECEIVING IT IS DEEMED, BY RECEIVING IT, TO AGREE THAT IT, AND/OR ANY PART OF IT, SHALL NOT BE DISCLOSED TO ANY PERSON, CORPORATION OR OTHER ENTITY, DUPLICATED, AND/OR USED, EXCEPT AS EXPRESSLY APPROVED IN WRITING IN ADVANCE BY OWNER. THIS DOCUMENT SHALL BE RETURNED TO OWNER UPON REQUEST. IT MAY BE SUBJECT TO CERTAIN RESTRICTIONS UNDER APPLICABLE EXPORT CONTROL LAWS AND REGULATIONS.</small>		

TOLERANCES (EXCEPT AS NOTED):
 DEC. INCH mm ANGLE
 .X ±0.1 [±3] ±0.5°
 .XX ±0.01 [±0.3]
 .XXX ±0.005 [±0.13]
 .XXXX ±0.0005 [±0.013]
 REMOVE BURRS & BREAK SHARP EDGES: .003/.015 [0.08/.38] X 45°
 CORNER FILLETS: R.02 [5]
 MACHINED SURFACES: 125/3.2 INCH mm
 mm DIMENSIONS IN [BRACKETS] ARE FOR REFERENCE ONLY

DRAWN BY KL	DATE 03-28-2001
APPROVED BY JES	DATE 01-28-2001
REFERENCE	THIRD ANGLE PROJECTION

Regal Rexnord Regal Beloit America, Inc.

DESCRIPTION
OUTLINE
360U FR - TEFC

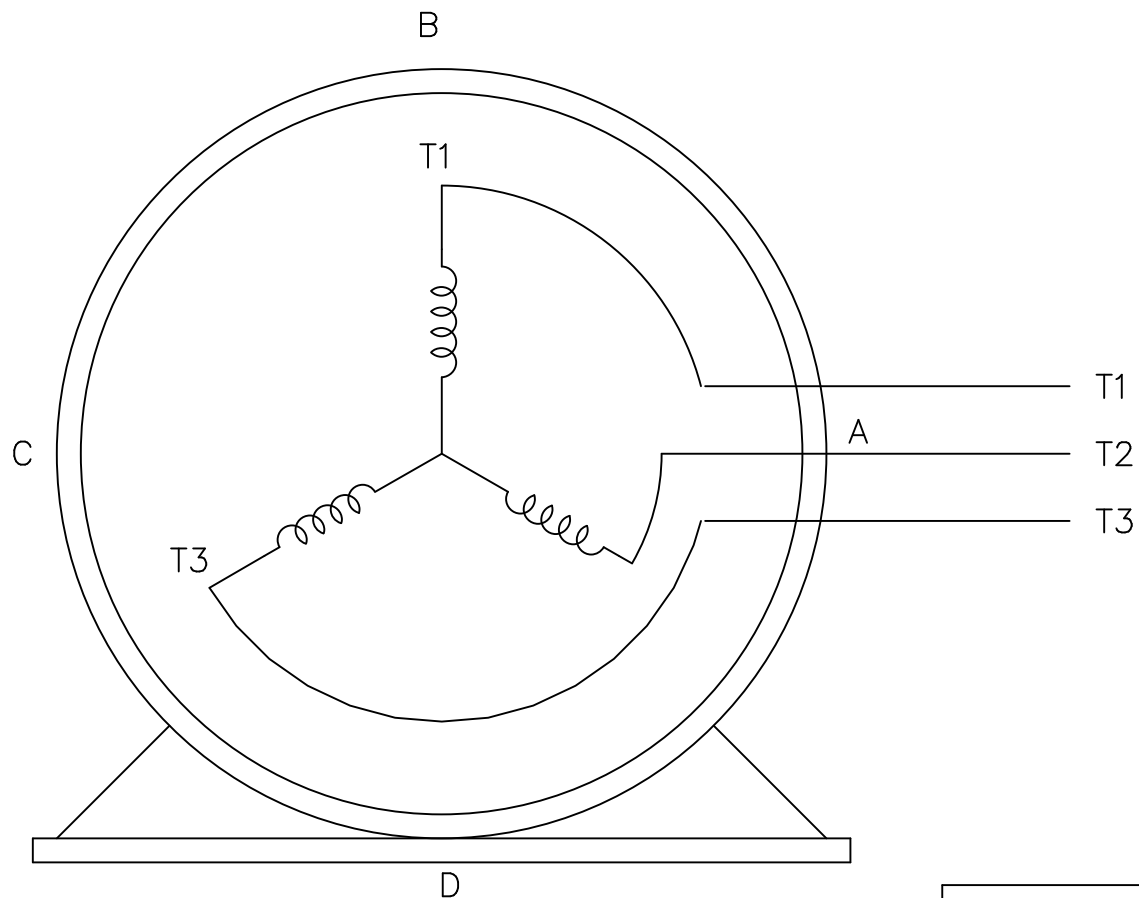
MATERIAL PROCESS/FINISH

SIZE **B** DRAWING NUMBER **SS518366** SHEET 1 OF 1

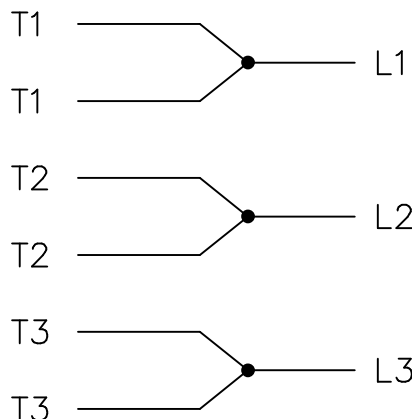
THREE PHASE – SINGLE VOLTAGE
MOTOR – CONDUIT BOX @ 'A'

EE7300-LN

TO REVERSE ROTATION:
INTERCHANGE ANY TWO LINE
LEAD CONNECTIONS




IF MOTOR HAS
6 LEADS



A-9806 DECAL

OPTIONAL CORD
CONNECTION

L1 WHITE
L2 RED
L3 BLACK

				TOLERANCES UNLESS SPECIFIED			DRAWN BLR 08-13-1999				
				DEC.	INCHES		CHK ML 08-13-1999				
				.X	±.1		APPD GK 08-13-1999				
				.XX	±.02		SCALE 1=1				
2	ADDED OPTIONAL CORD CONNECTION PER MU47226	CTO 03-31-2004	PJB	.XXX	±.005	TITLE CONNECTION DIAGRAM SINGLE VOLT – 3Ø MOTOR	REF				
1	NEW DRAWING	CTO 08-13-1999		.XXXX	±.0005		MAT'L.	FMF			
NO.	REVISION	BY & DATE	CHK	ANG	±7'30"	FINISH	PREV				
THIS DRAWING IN DESIGN AND DETAIL IS OUR PROPERTY AND MUST NOT BE USED EXCEPT IN CONNECTION WITH OUR WORK ALL RIGHTS OF DESIGN AND INVENTION ARE RESERVED THIS IS AN ELECTRONICALLY GENERATED DOCUMENT – DO NOT SCALE THIS PRINT				RFP	CAD FILE EE7300_LN		SIZE	DRAWING NO.	PAGE	OF	REV.
				DIST WP			A	EE7300-LN			2



**2100 WASHINGTON ST.
GRAFTON, WI
PH. 262-277-8810**

CONN. DIAGRAM: A-EE7300-LN

OUTLINE: B-SS518366-1450

CATALOG #: LM21799

WINDING #: T365265 1

MOUNTING: F1/F2 CAPABLE

TYPICAL MOTOR PERFORMANCE DATA

HP	kW	SYNC. RPM	F.L. RPM	FRAME	ENCLOSURE	KVA CODE	DESIGN
50	37.0	3600	3560	365U	TEFC	G	B

PH	Hz	VOLTS	AMPS	START TYPE	DUTY	INSL	S.F.	AMB°C
3	60	460	56	ACROSS THE LINE	CONTINUOUS	F1	1.0	65

FULL LOAD EFF:	94.1	3/4 LOAD EFF:	94.1	1/2 LOAD EFF:	93.6	GTD. EFF		ELEC. TYPE	
FULL LOAD PF:	89	3/4 LOAD PF:	87	1/2 LOAD PF:	82	93.6		SQ CAGE IND RUN	

F.L. TORQUE	LOCKED ROTOR AMPS	L.R. TORQUE	B.D. TORQUE	F.L. RISE°C
74 LB-FT	360	110 LB-FT 149 %	200 LB-FT 270 %	55

SOUND PRESSURE @ 3 FT.	SOUND POWER	ROTOR WK^2	MAX. WK^2	SAFE STALL TIME	STARTS / HOUR	APPROX. MOTOR WGT
75 dBA	85 dBA	7.8 LB-FT^2	- LB-FT^2	20 SEC.	-	900 LBS.

***** SUPPLEMENTAL INFORMATION *****

DE BRACKET TYPE	ODE BRACKET TYPE	MOUNT TYPE	ORIENTATION	SEVERE DUTY	HAZARDOUS LOCATION	DRIP COVER	SCREENS	PAINT
STANDARD	STANDARD	RIGID	HORIZONTAL	TRUE	NONE	FALSE	NONE	GRAY - LINCOLN

BEARINGS		GREASE	SHAFT TYPE	SPECIAL DE	SPECIAL ODE	SHAFT MATERIAL	FRAME MATERIAL
DE	ODE						
BALL	BALL	POLYREX EM	U	NONE	NONE	1144 STRESSPROOF (C-223)	CAST IRON
314	312						

THERMO-PROTECTORS				THERMISTORS	CONTROL	SPACE HEATERS
THERMOSTATS	PROTECTORS	WDG RTDs	BRG RTDs			
NONE	NOT	NONE	NONE	NONE	FALSE	NONE VOLTS

*
N
O
T
E
S
*

INVERTER TORQUE: NONE
INV. HP SPEED RANGE: NONE
ENCODER: NONE NONE NONE NONE NONE PPR
BRAKE: NONE NONE NONE P/N NONE NONE NONE NONE FT-LB NONE V NONE Hz

Data Sheet

Date: 1/23/2018

LM21799



Data @ **460 V**

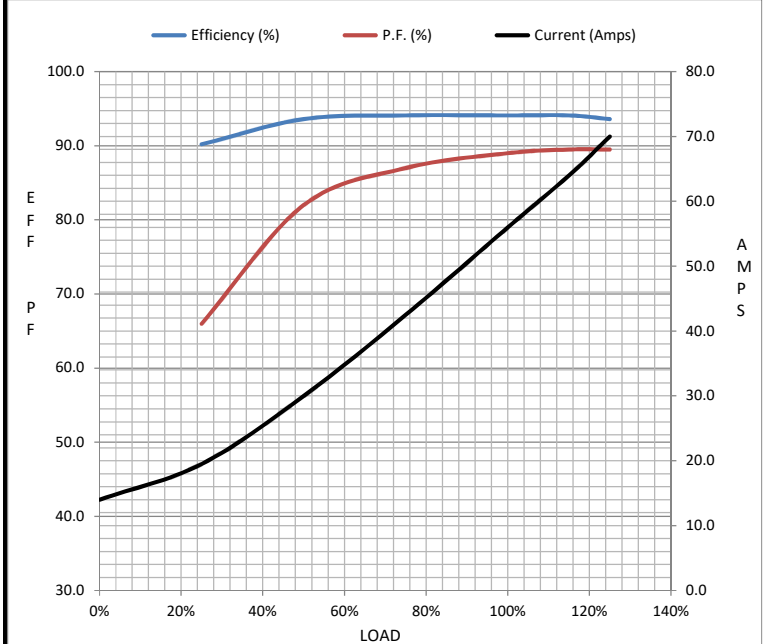
Motor Load Data

Load	0%	25%	50%	75%	100%	115%	125%	LR
Current (Amps)	14.0	19.5	30.0	42.5	56.0	64.0	70.0	360
Torque (ft-lb)	0.00	18.5	37.0	55.5	74.0	85.0	92.5	110
RPM	3600	3590	3580	3570	3560	3,552	3545	0
Efficiency (%)		90.2	93.6	94.1	94.1	94.1	93.6	
P.F. (%)	7.0	66.0	82.0	87.0	89.0	89.5	89.5	26.0

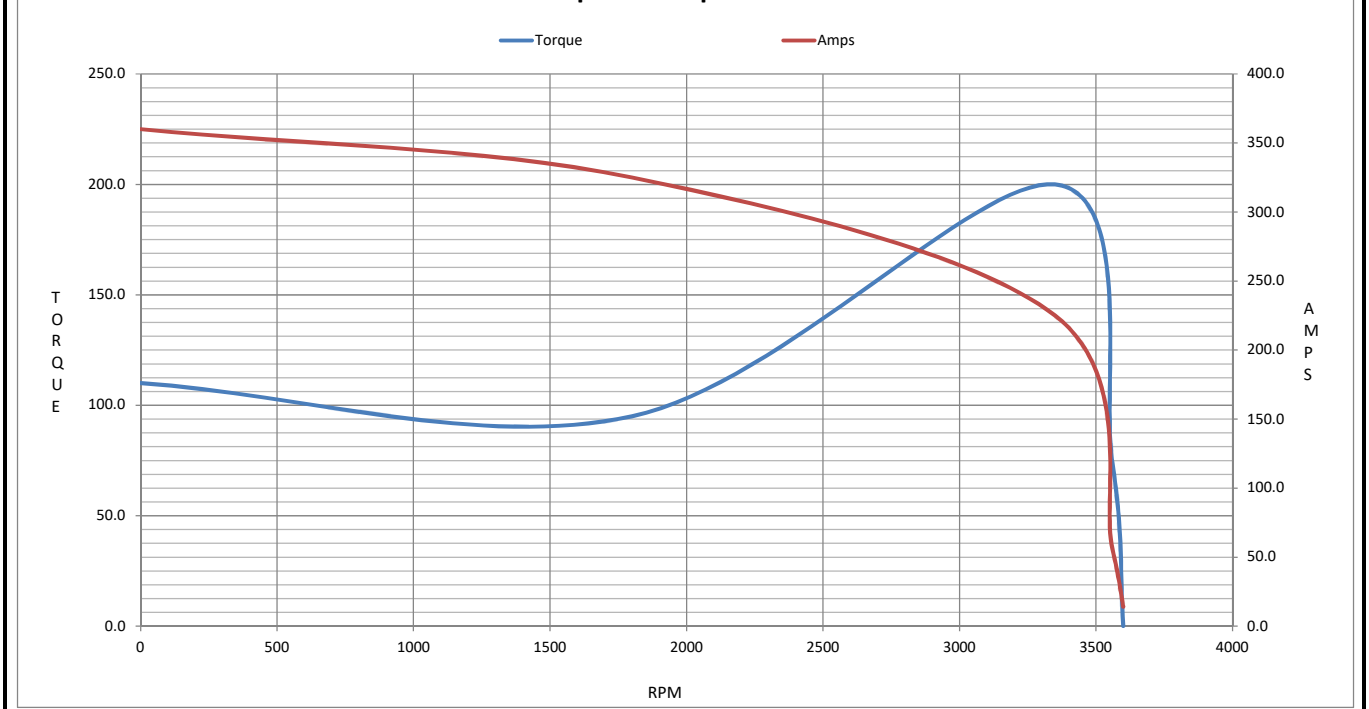
Motor Speed Data

	LR	Pull-Up	BD	Rated	Idle
Speed (RPM)	0	1800	3350	3560	3600
Current (Amps)	360	325	225	56.0	14.0
Torque (ft-lb)	110	95.0	200	74.0	0.00

Information Block				
HP	50.0			
Sync. RPM	3600			
Frame	365			
Enclosure	TEFC			
Construction	TFS			
Voltage	460 V			
Frequency	60 Hz			
Design	A			
LR Code letter	G			
Service Factor	1.15			
Temp Rise @ FL	55 °C			
Duty	CONT			
Ambient	40 °C			
Elevation	1,000 feet			
Rotor/Shaft wk ²	7.8 Lb-Ft ²			
Ref Wdg	T365265 NONE			
Sound Pressure @ 1M	75 dBA			
VFD Rating	NONE			
Outline Dwg	B-SS518366-1450			
Conn. Diag	A-EE7300-LN			
Additional Specifications:				
0				
0				
EQUIV CKT (OHMS / PHASE)				
R1	R2	X1	X2	Xm
0.0670	0.0560	0.4930	0.4390	18.7000



Speed - Torque Curve



EC Declaration of Conformity

The undersigned representing
the manufacturer:

Regal Beloit America
100 East Randolph St.
Wausau, WI 54401

and the authorized representative
established within the Community:

Marathon Electric UK
6F Thistleton Road Ind. Estate
Market Overton
Oakham, Rutland LE15 7PP UK

are committed to providing customers with products that comply with applicable regulations and international protocols to which they are subject, including the requirements of the European Parliament Directive on the Harmonization of the laws relating to electrical equipment designed for use within certain voltage limits (2014/35/EU).

Regal Beloit America declares that the following product(s), to which this declaration relates, are in conformity with the relevant sections of the EC standards listed below.

This statement supersedes any statements previously issued pertaining to the product(s) listed below and is subject to change without notice.

Model No : LM21799

(Model No. may contain prefix and/or suffix characters)

Catalog No : LM21799

Rework No : N/A

Directives :

Low Voltage Directive 2014/35/EU

Harmonized Standards Used :

EN 60034-1: 2010 (IEC 60034-1: 2010)

EN 60034-5: 2001/A1:2007 (IEC 60034-5: 2000/A1:2006)

Authorized Representative:



Michael A. Logsdon
Vice President, Technology

Authorized Representative in the Community:



Julian Clark
Marketing Engineer

Created on 09/01/2022

CE 22