

PRODUCT INFORMATION PACKET

Model No: LM20394

Catalog No: LM20394

Automotive Duty Motor, 15 HP, 3 Ph, 60 Hz, 460 V, 3600 RPM, 256U Frame, TEFC



Regal and are trademarks of Regal Rexnord Corporation or one of its affiliated companies.
©2022 Regal Rexnord Corporation, All Rights Reserved. MC017097E

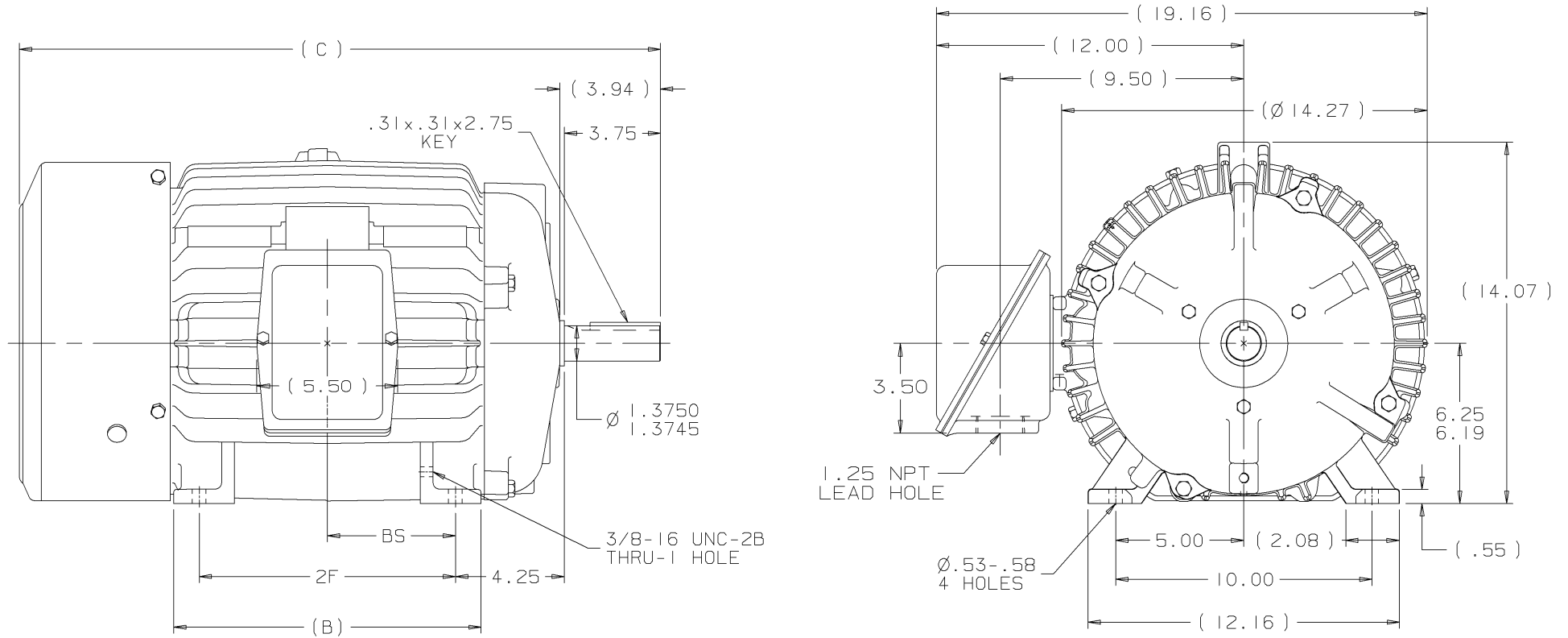
Nameplate Specifications

Output HP	15 Hp	Output KW	11.2 kW
Frequency	60 Hz	Voltage	460 V
Current	17.5 A	Speed	3550 rpm
Service Factor	1	Phase	3
Efficiency	91.7 %	Power Factor	85
Duty	Continuous	Insulation Class	F
Design Code	B	KVA Code	G
Frame	256U	Enclosure	Totally Enclosed Fan Cooled
Thermal Protection	No Protection	Ambient Temperature	65 °C
Drive End Bearing Size	309	Opp Drive End Bearing Size	210
UL	Recognized	CSA	Y
CE	Y	IP Code	43
Number of Speeds	1		


Technical Specifications

Electrical Type	Squirrel Cage Induction Run	Starting Method	Across The Line
Poles	2	Rotation	Reversible
Resistance Main	.603 Ohms	Mounting	Rigid Base
Motor Orientation	Horizontal	Drive End Bearing	Ball
Opp Drive End Bearing	Ball	Frame Material	Cast Iron
Shaft Type	U	Overall Length	25.02 in
Frame Length	12.25 in	Shaft Diameter	1.375 in
Shaft Extension	3.75 in	Assembly/Box Mounting	F1/F2 CAPABLE
Connection Drawing	A-EE7300-LN	Outline Drawing	SS203362LN-1225

This is an uncontrolled document once printed or downloaded and is subject to change without notice. Date Created:09/07/2022



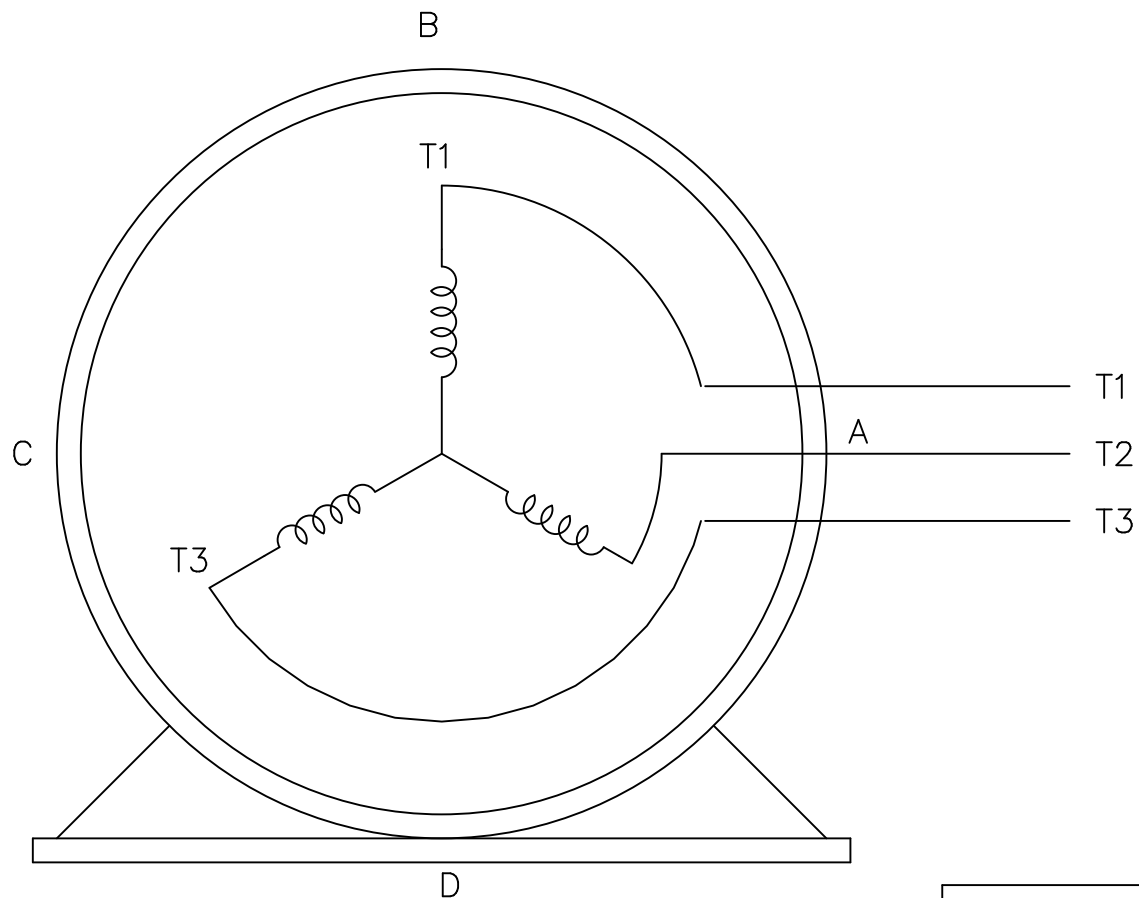
- NOTES:
 1. CONDUIT BOX CAN BE ROTATED ON ITS AXIS.
 2. CONDUIT BOX CAN BE MOUNTED ON OPPOSITE SIDE BY REMOVING BRACKETS AND TURNING FRAME 180°.
 3. NAMEPLATE TO BE READ FROM CONDUIT BOX SIDE OF MOTOR

DASH	FRAME	B	C	2F	BS	REV	DATE	CHANGE	NAME	UNLESS OTHERWISE SPECIFIED DIMENSIONS ARE IN INCHES TOL. ON XX±.03 XXX±.005 XXXX±.0005 ANGLES± 7'30"	MAX. SURFACE ROUGHNESS UNLESS OTHERWISE NOTED	FINISH	MATERIAL	DRAWN BY	CHKD BY	APPD BY	DRWG NO
1050	254U	10.25	23.27	8.25	4.12	2	08-09-2000	REVISED OUTLINE TO HAVE C'BOX FROM: SS203002LN CN 29200-711	MSG		<input checked="" type="checkbox"/>			DRS	BLR	TB	03-13-2000
1225	256U	12.00	25.02	10.00	5.00	1	03-13-2000	NEW DRAWING MU29681	DRS								
PART NAME OUTLINE - TEFC 250U FRAME - BB - TS - STD.										DRWG NO B-SS203362LN							
										L PURCHASED		CADD FILE NO.		SS203362LN			

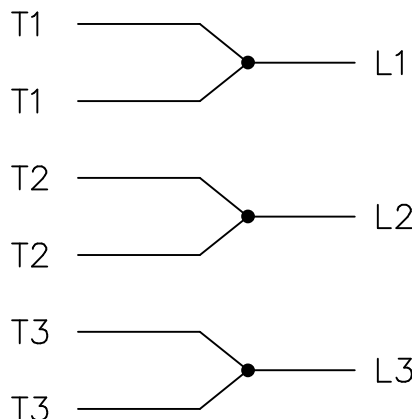
THREE PHASE – SINGLE VOLTAGE
MOTOR – CONDUIT BOX @ 'A'

EE7300-LN

TO REVERSE ROTATION:
INTERCHANGE ANY TWO LINE
LEAD CONNECTIONS



IF MOTOR HAS
6 LEADS




A-9806 DECAL

VIEW OF TERMINAL END

OPTIONAL CORD
CONNECTION

L1 WHITE
L2 RED
L3 BLACK

				TOLERANCES UNLESS SPECIFIED			DRAWN BLR 08-13-1999	
				DEC.	INCHES		CHK ML 08-13-1999	
				.X	±.1		APPD GK 08-13-1999	
				.XX	±.02		SCALE 1=1	
2	ADDED OPTIONAL CORD CONNECTION PER MU47226	CTO 03-31-2004	PJB	.XXX	±.005	TITLE CONNECTION DIAGRAM SINGLE VOLT – 3Ø MOTOR	REF	
1	NEW DRAWING	CTO 08-13-1999		.XXXX	±.0005		MAT'L.	FMF
NO.	REVISION	BY & DATE	CHK	ANG	±7'30"	FINISH	PREV	
THIS DRAWING IN DESIGN AND DETAIL IS OUR PROPERTY AND MUST NOT BE USED EXCEPT IN CONNECTION WITH OUR WORK ALL RIGHTS OF DESIGN AND INVENTION ARE RESERVED THIS IS AN ELECTRONICALLY GENERATED DOCUMENT – DO NOT SCALE THIS PRINT			RFP	CAD FILE EE7300_LN		SIZE	DRAWING NO. PAGE OF	REV.
			DIST WP			A	EE7300-LN	2



**2100 WASHINGTON ST.
GRAFTON, WI
PH. 262-277-8810**

CERTIFICATION DATA SHEET

CONN. DIAGRAM: A-EE7300-LN

OUTLINE: SS203362LN-1225

WINDING #: K256289 7

CATALOG #: LM20394

MOUNTING: F1/F2 CAPABLE

TYPICAL MOTOR PERFORMANCE DATA

HP	kW	SYNC. RPM	F.L. RPM	FRAME	ENCLOSURE	KVA CODE	DESIGN
15	11.2	3600	3550	256U	TEFC	G	B

PH	Hz	VOLTS	AMPS	START TYPE	DUTY	INSL	S.F.	AMB°C
3	60	460	17.5	ACROSS THE LINE	CONTINUOUS	F3	1.0	65

FULL LOAD EFF:	91.7	3/4 LOAD EFF:	91.7	1/2 LOAD EFF:	90.2	GTD. EFF		ELEC. TYPE	
FULL LOAD PF:	85	3/4 LOAD PF:	83.5	1/2 LOAD PF:	75.5	91		SQ CAGE IND RUN	

F.L. TORQUE	LOCKED ROTOR AMPS	L.R. TORQUE	B.D. TORQUE	F.L. RISE°C
22.2 LB-FT	116	41 LB-FT 185 %	65 LB-FT 293 %	50

SOUND PRESSURE @ 3 FT.	SOUND POWER	ROTOR WK^2	MAX. WK^2	SAFE STALL TIME	STARTS / HOUR	APPROX. MOTOR WGT
72 dBA	82 dBA	1.1 LB-FT^2	22 LB-FT^2	20 SEC.	2	310 LBS.

***** SUPPLEMENTAL INFORMATION *****

DE BRACKET TYPE	ODE BRACKET TYPE	MOUNT TYPE	ORIENTATION	SEVERE DUTY	HAZARDOUS LOCATION	DRIP COVER	SCREENS	PAINT
STANDARD	STANDARD	RIGID	HORIZONTAL	FALSE	NONE	FALSE	NONE	GRAY - LINCOLN

BEARINGS		GREASE	SHAFT TYPE	SPECIAL DE	SPECIAL ODE	SHAFT MATERIAL	FRAME MATERIAL
DE	ODE						
BALL	BALL	POLYREX EM	U	NONE	NONE	1045 HOT ROLLED (C-204)	CAST IRON
309	210						

THERMO-PROTECTORS				THERMISTORS	CONTROL	SPACE HEATERS
THERMOSTATS	PROTECTORS	WDG RTDs	BRG RTDs			
NONE	NOT	NONE	NONE	NONE	FALSE	NONE VOLTS

*
N
O
T
E
S
*

INVERTER TORQUE: NONE
INV. HP SPEED RANGE: NONE
ENCODER: NONE
NONE NONE
NONE NONE PPR
BRAKE: NONE NONE
NONE P/N NONE
NONE NONE
FT-LB V NONE Hz

Data Sheet

Date: 1/23/2018

LM20394



Data @ **460 V**

Motor Load Data

Load	0%	25%	50%	75%	100%	115%	125%	LR
Current (Amps)	6.0	7.5	10.0	14.0	17.5	20.0	22.0	116
Torque (ft-lb)	0.00	5.5	11.0	16.5	22.2	25.0	28.0	41.0
RPM	3600	3585	3570	3560	3550	3,540	3525	0
Efficiency (%)		85.5	90.2	91.7	91.7	91.7	91.0	
P.F. (%)	10.5	56.0	75.5	83.5	85.0	87.0	88.0	38.0

Motor Speed Data

	LR	Pull-Up	BD	Rated	Idle
Speed (RPM)	0	1800	3175	3550	3600
Current (Amps)	116	103	75.0	17.5	6.0
Torque (ft-lb)	41.0	37.0	65.0	22.2	0.00

Information Block				
HP	15.0			
Sync. RPM	3600			
Frame	254			
Enclosure	TEFC			
Construction	TFN			
Voltage	460 V			
Frequency	60 Hz			
Design	A			
LR Code letter	G			
Service Factor	1.15			
Temp Rise @ FL	50 °C			
Duty	CONT			
Ambient	40 °C			
Elevation	1,000 feet			
Rotor/Shaft wk ²	1.10 Lb-Ft ²			
Ref Wdg	K256289 NONE			
Sound Pressure @ 1M	72 dBA			
VFD Rating	NONE			
Outline Dwg	B-SS203362LN-1225			
Conn. Diag	A-EE7300-LN			
Additional Specifications:				
0				
0				
EQUIV CKT (OHMS / PHASE)				
R1	R2	X1	X2	Xm
0.3870	0.2760	1.4040	1.2980	42.3360

